



Chipsmall Limited consists of a professional team with an average of over 10 year of expertise in the distribution of electronic components. Based in Hongkong, we have already established firm and mutual-benefit business relationships with customers from,Europe,America and south Asia,supplying obsolete and hard-to-find components to meet their specific needs.

With the principle of “Quality Parts,Customers Priority,Honest Operation,and Considerate Service”,our business mainly focus on the distribution of electronic components. Line cards we deal with include Microchip,ALPS,ROHM,Xilinx,Pulse,ON,Everlight and Freescale. Main products comprise IC,Modules,Potentiometer,IC Socket,Relay,Connector.Our parts cover such applications as commercial,industrial, and automotives areas.

We are looking forward to setting up business relationship with you and hope to provide you with the best service and solution. Let us make a better world for our industry!



Contact us

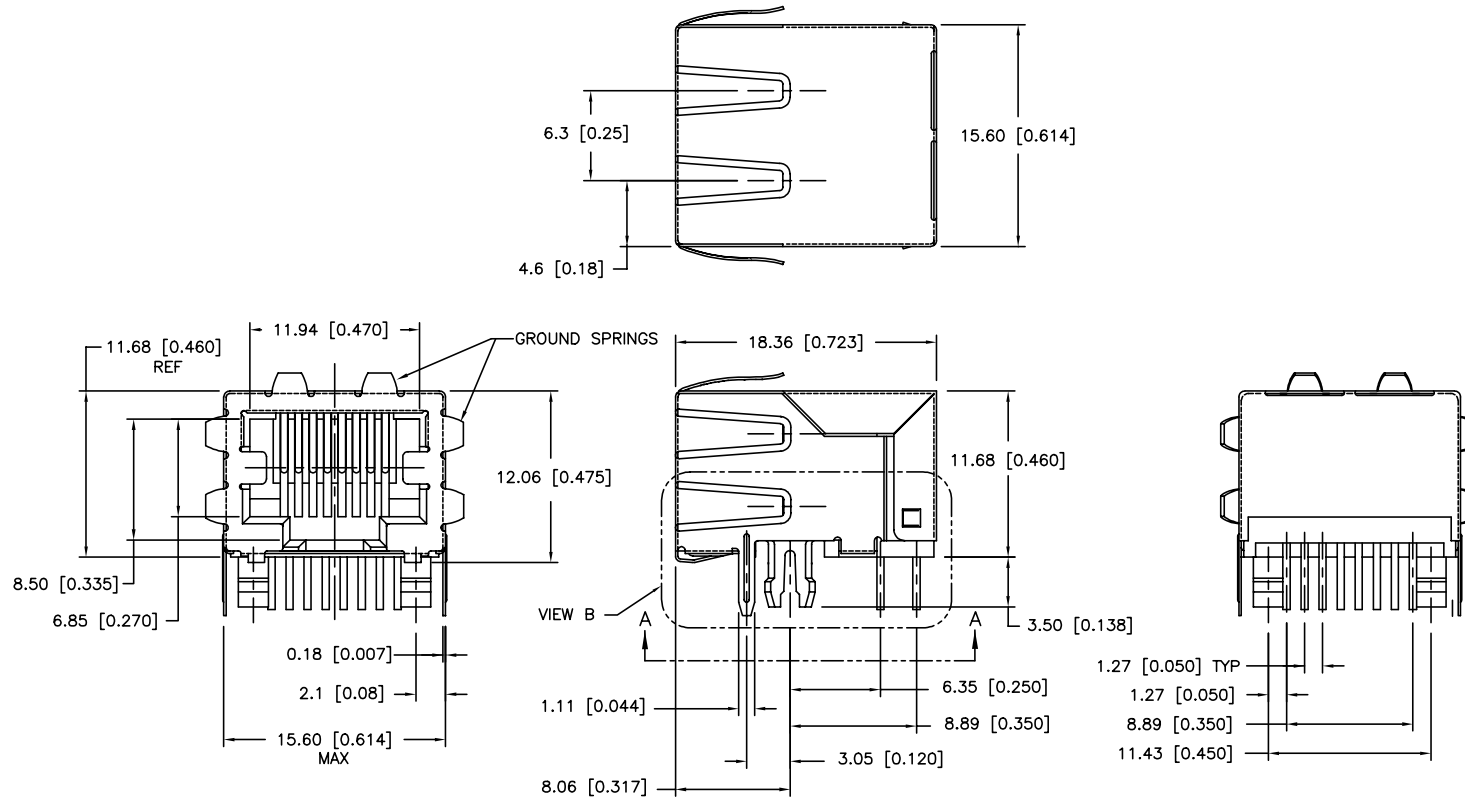
Tel: +86-755-8981 8866 Fax: +86-755-8427 6832

Email & Skype: info@chipsmall.com Web: www.chipsmall.com

Address: A1208, Overseas Decoration Building, #122 Zhenhua RD., Futian, Shenzhen, China

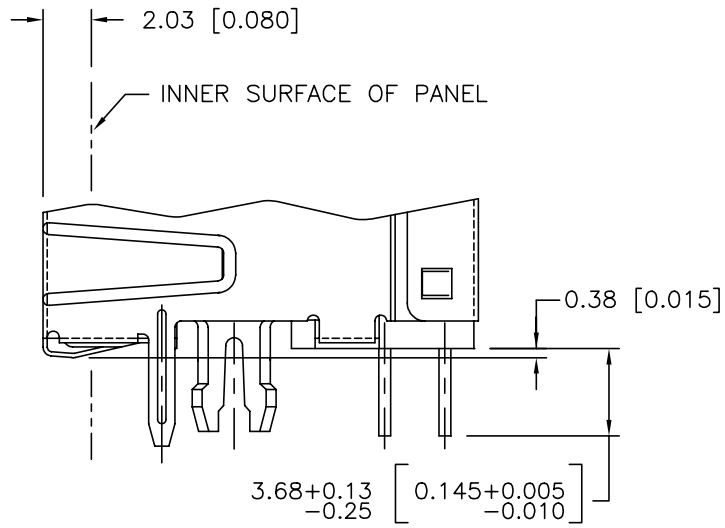


PRODUCT NO.
SEE TABLE

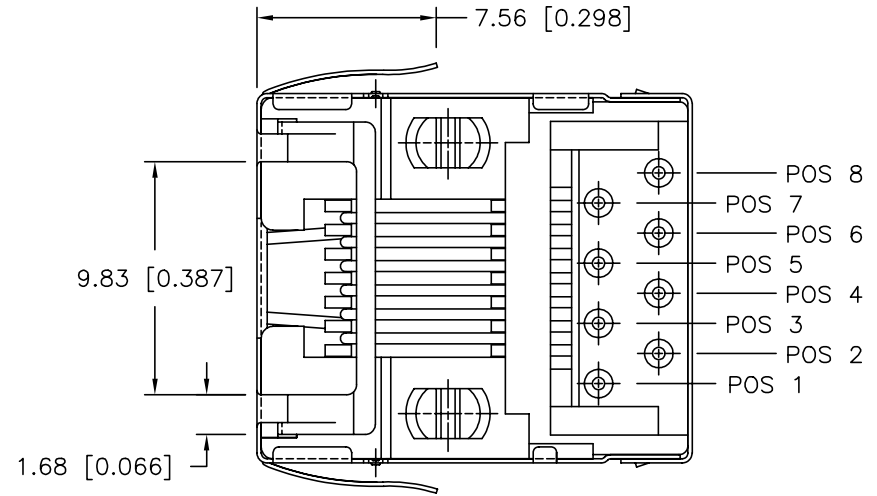


mat'l. code		surface		tolerance		projection		product family	
		ISO1302 ✓		ISO1101 ISO406				MOD JACK	
l trechn nodr		date		tolerances unless otherwise specified				title	
J	V00470 BKB	2/1/00		0.X±0.3		mm		8 POS LOW PROFILE PCB III	
K	V01040 CSP	6/1/00		0.XX±0.15				SHIELDED MODJACK ASSEMBLY	
L	V03-1103 PJ	10/18/03		0.XXX±0.05		scale 2.0			
M	M05-0066 ERE	04/15/05		dr G.HULL		5/28/96		dwg no	
N	ELX-N-010703 SH MM	3/14/12		eng Y.BELOPOLSKY		5/28/96		sheet 1 of 3 size	
				chr TONY CHIEN		5/28/96		72231 A4	
				app Y.BELOPOLSKY		5/28/96		type Product Customer Drawing	
sheet	revision	N	N	N					
index	sheet	1	2	3					

PRODUCT NO.
SEE TABLE



VIEW B



VIEW A-A

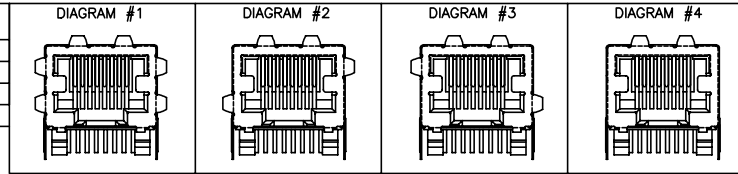
mat'l. code		surface <input checked="" type="checkbox"/> ISO1302		tolerance <input checked="" type="checkbox"/> ISO1101 <input checked="" type="checkbox"/> ISO406		projection		product family MOD JACK	
ltr ecn nodr		date		tolerances unless otherwise specified		mm		title	
J	V00470 BKB	2/1/00		angle $0.X \pm 0.3$		mm		8 POS LOW PROFILE PCB III	
K	V01040 CSP	6/1/00		0.XX ± 0.15		mm		SHIELDED MODJACK ASSEMBLY	
L	V03-1103 PJ	10/18/03		0' $\pm 2'$		scale 2.0			
M	M05-0066 ERE	04/15/05		dr G.HULL		5/28/96		dwg no	
N	ELX-N-010703 SH MMD	3/14/12		eng Y.BELOPOLSKY		5/28/96		sheet 2 of 3	
				chr TONY CHIEN		5/28/96		size A4	
				app Y.BELOPOLSKY		5/28/96		type Product Customer Drawing	
sheet index	revision sheet								



PRODUCT NO.
SEE TABLE

PRODUCT NO.
72231-X8YZLF

CODE Z	GROUND SPRING CONFIGURATIONS
1	DIAGRAM #1
2	DIAGRAM #2
3	DIAGRAM #3
4	DIAGRAM #4

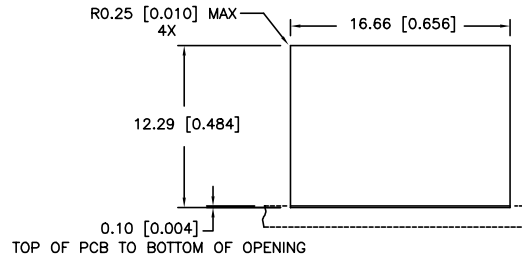


GROUND SPRING CONFIGURATIONS AS VIEWED FROM PORT SIDE

NOTE: PLEASE CHECK FOR AVAILABILITY, NOT ALL OPTIONS AVAILABLE.

OPTIONAL LOADING CODE Y	POSITIONS LOADED
4	3,4,5,6
6	2,3,4,5,6,7
8	ALL POS

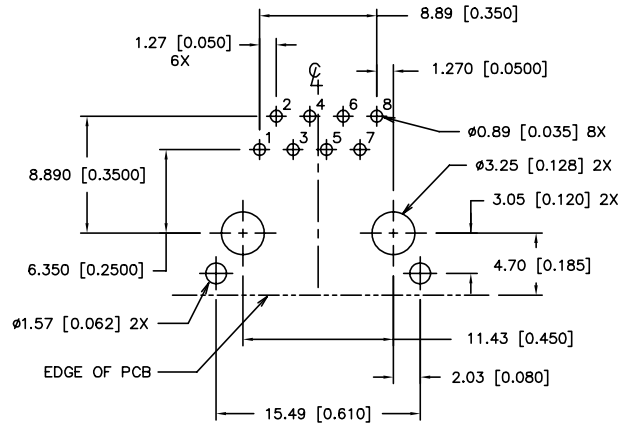
8 POSITION HOUSING



TOP OF PCB TO BOTTOM OF OPENING

RECOMMENDED PANEL OPENING

PLATING CODE X	PLATING ⑨
0	5u" Au + high performance lubricant
3	5u" Au + high performance lubricant
5	1.27um/50u" GXT OVER Ni



RECOMMENDED P.C.B. LAYOUT

AS VIEWED FROM TOP SIDE (COMPONENT SIDE)

NOTES:

1. RECOMMENDED P.C.B. THICKNESS 1.60 [0.063].
2. HOUSING MATL: HIGH TEMPERATURE THERMOPLASTIC MATERIAL, UL94V-0, COLOR BLACK.
3. CONTACTS MATL: PHOS BRONZE ALLOY ROUND WIRE. SEE TABLE FOR PLATING.
4. SHIELD MATL: PHOS BRONZE ALLOY, BRIGHT TIN PLATE OVER NICKEL UNDERPLATING PER BUS-15-002/M.
5. TWO LAYERS OF HIGH TEMP. INSULATING TAPE BETWEEN SHIELD AND SIGNAL CONTACTS.
- ⑥. LF SUFFIX AT THE END OF PART NUMBER IS LEAD FREE.
7. THE HOUSING WILL WITHSTAND EXPOSURE TO 260°C PEAK TEMPERATURE FOR 15 SECONDS IN A WAVE SOLDER APPLICATION WITH A 1.5mm MINIMUM THICK CIRCUIT BOARD. SEE APPLICATION NOTES/PROCEDURES IF THEY ARE AVAILABLE.
- ⑧. THIS PRODUCT MEETS EUROPEAN UNION DIRECTIVES AND OTHER COUNTRY REGULATION AS DESCRIBED IN GS-22-008.
- ⑨. PLATING OPTIONS: MAY BE EITHER GOLD OR GXT PLATED AT MANUFACTURER'S OPTION.

mat'l. code	surface ISO1302 ✓	tolerance ISO1101 ISO406	projection ④	product family MOD JACK
l trechn nodr	date	tolerances unless other	mm	title
J V00470 BKB	2/1/00	0.X±0.3	mm	8 POS LOW PROFILE PCB III
K V01040 CSP	6/1/00	0.XX±0.15	scale 2.0	SHIELDED MODJACK ASSEMBLY
L V03-1103 PJ	10/18/03	0.XXX±0.05		
M M05-0066 ERE	04/15/05	dr G.HULL	5/28/96	dwg no sheet 3 of 3 size
N ELX-N-010703 SH MWO	3/14/12	eng Y.BELOPOLSKY	5/28/96	72231 A4
		chr TONY CHIEN	5/28/96	type Product Customer Drawing
		app Y.BELOPOLSKY	5/28/96	
sheet index	revision sheet			