



Chipsmall Limited consists of a professional team with an average of over 10 year of expertise in the distribution of electronic components. Based in Hongkong, we have already established firm and mutual-benefit business relationships with customers from,Europe,America and south Asia,supplying obsolete and hard-to-find components to meet their specific needs.

With the principle of “Quality Parts,Customers Priority,Honest Operation,and Considerate Service”,our business mainly focus on the distribution of electronic components. Line cards we deal with include Microchip,ALPS,ROHM,Xilinx,Pulse,ON,Everlight and Freescale. Main products comprise IC,Modules,Potentiometer,IC Socket,Relay,Connector.Our parts cover such applications as commercial,industrial, and automotives areas.

We are looking forward to setting up business relationship with you and hope to provide you with the best service and solution. Let us make a better world for our industry!



Contact us

Tel: +86-755-8981 8866 Fax: +86-755-8427 6832

Email & Skype: info@chipsmall.com Web: www.chipsmall.com

Address: A1208, Overseas Decoration Building, #122 Zhenhua RD., Futian, Shenzhen, China



DESCRIPTION: ABOVE AND BELOW P.C.B., DECK IS AS VIEWED BY USER.

PRODUCT NO. 72305-XXX	STAND-OFF HEIGHT DIM L	(A) HEADER ASSY 71249-XXXX	(B) MECHANISM ASSY 72304/92791-XXX	(C) MATING RECEPTACLE	MOUNTING STYLE TO PCB
000	0.0	0000	72304-000	100 POSITION (2x50) 0.8mm RECEPTACLE PART NO. 73277-101000 ORDER SEPARATELY	
020	2.2	0022	72304-022		
040	4.3	0043	72304-043		
050	5.0	0050	72304-050		
005	0.0	0500	72304-000		
025	0.0	0522	72304-000		
045	0.0	0543	72304-000		
055	0.0	0550	72304-000		
520	2.2	5022	92791-022S		
540	4.3	5043	92791-043S		
550	5.0	5050	△ 92791-052		
525	0.0	5522	92791-001S		
545	0.0	5543	92791-001S		
555	0.0	5550	92791-001S		

NOTE:
1. SEE 72306 FOR DOUBLE DECK ASSEMBLY

ORDERING INFORMATION
ORDER:
1. EJECT HEADER ASSY (72305-XXX)
2. MATING RECEPTACLE (73277-101000)

mat'l. code		surface		tolerance		projection		product family	
		ISO 1302		ISO 406 ISO 1181		1:1		CARDBUS	
ltr ecn no dr date		tolerances unless otherwise specified		angles		linear		title	
E V02257 TFG 11/3/00				±2°		MM		CARDBUS SINGLE DECK ASS'Y SMT TYPE 123	
F N05-0074 WB 03/14/05						scale		dwg no sheet 1 of 1 size	
G N06-0012 MZ 01/16/06								72305 A4	
H N06-0129 M.Z 05/11/06		dr		Mike Zhou		05/10/06		type CUSTOMER Drawing	
J N07-0109 DT 5/7/07		engr		Mike Zhou		05/10/06			
K N08-0028 MZ 2/25/08		chr		Mike Zhou		05/10/06			
L BLX-N-011409 ZK 04/07/12		appa		Qin David		05/10/06			
sheet revision		L L L L L L L L L L L L							
index sheet		1 2 3 4 5 6 7 8 9 10 11							

FCI CONFIDENTIAL



This document is the property of and embodies CONFIDENTIAL and PROPRIETARY information of FCI. No part of this information shown on this document may be used in any way or disclosed to others without the written consent of FCI. Copyright FCI.

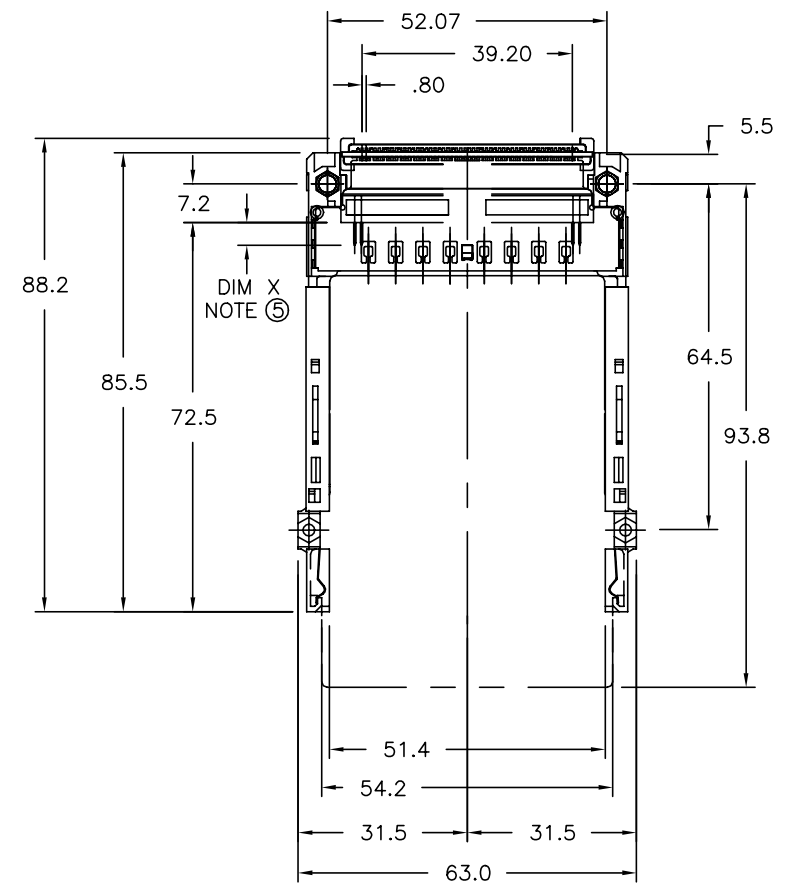
FCI CONFIDENTIAL

FCI
FCIconnect.com

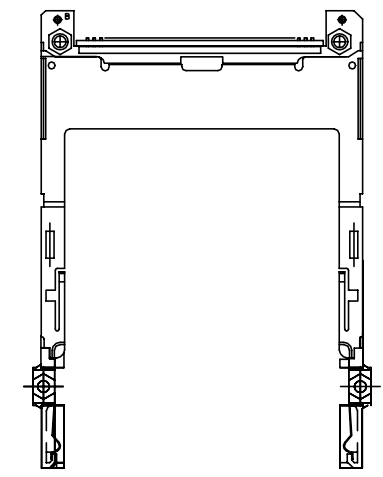
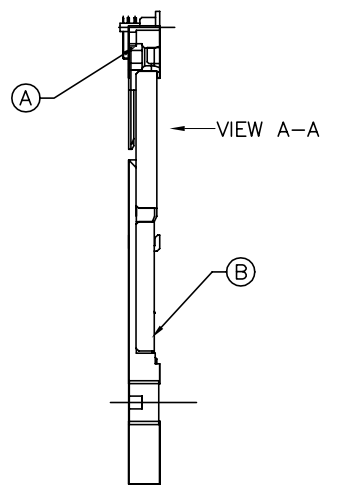
This document is the property of and embodies CONFIDENTIAL and PROPRIETARY information of FCI. No part of this information shown on this document may be used in any way or disclosed to others without the written consent of FCI.
Copyright FCI.

PRODUCT NUMBER
72305-***
72305-***LF

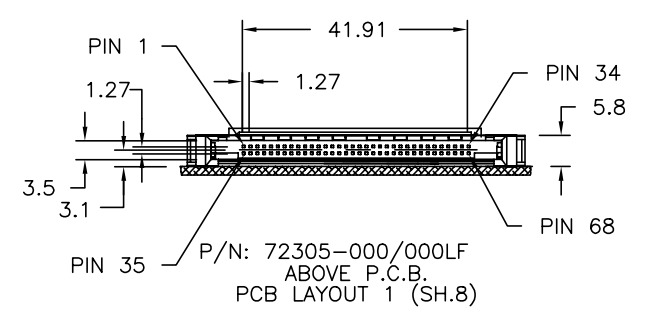
1 | 2 | 3 | 4 | 5 | 6



MATING RECEPTACLE SHOWN FOR APPLICATION CLARITY ONLY. MUST BE ORDERED SEPARATELY



VIEW A-A
(APPLIES TO ALL P/NS)



mat'l. code		surface		tolerance		projection		product family	
		ISO 1302		ISO 406 ISO 101				CARDBUS	
l/tecn nodr date		tolerances unless otherwise specified						title	
L		angles		linear		MM		CARDBUS SINGLE DECK ASS'Y SMT TYPE 123	
		±2'				scale		dwg no	
		dr		Mike Zhou 05/10/06				sheet 3 of 11	
		enr		Mike Zhou 05/10/06				size	
		chr		Mike Zhou 05/10/06				A 4	
		appa		Qin David 05/10/06				type CUSTOMER Drawing	
sheet index		revision sheet							

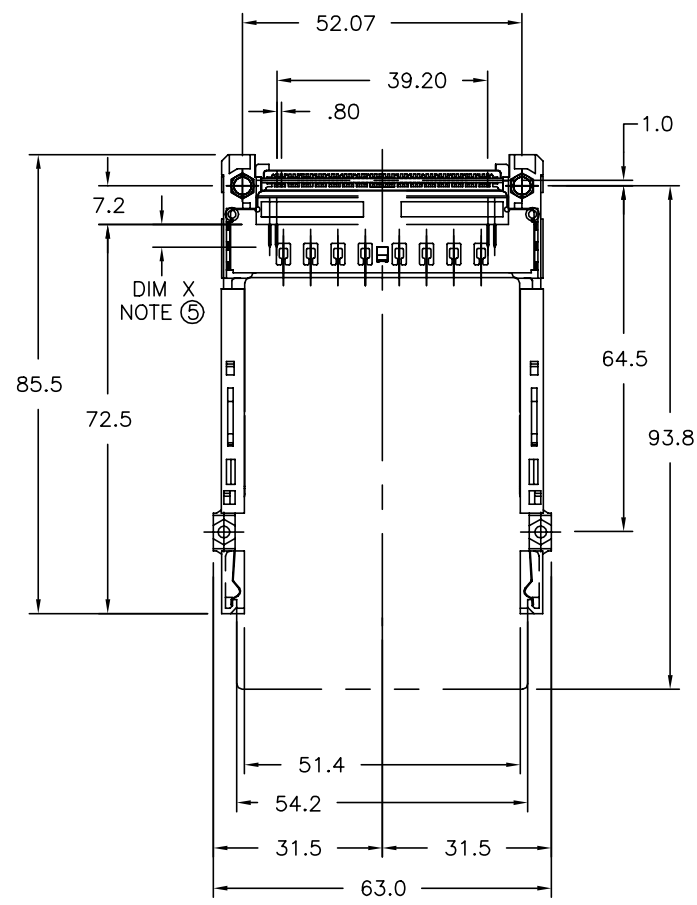


FCI CONFIDENTIAL

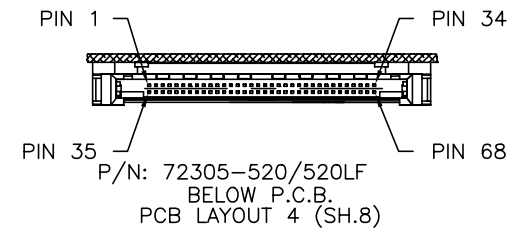
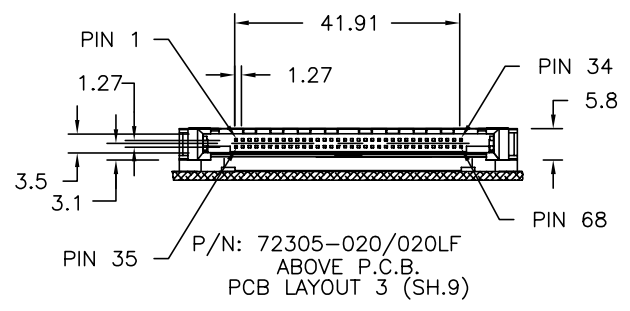
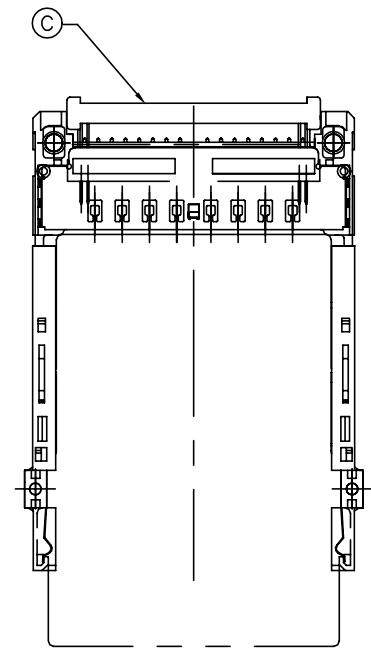
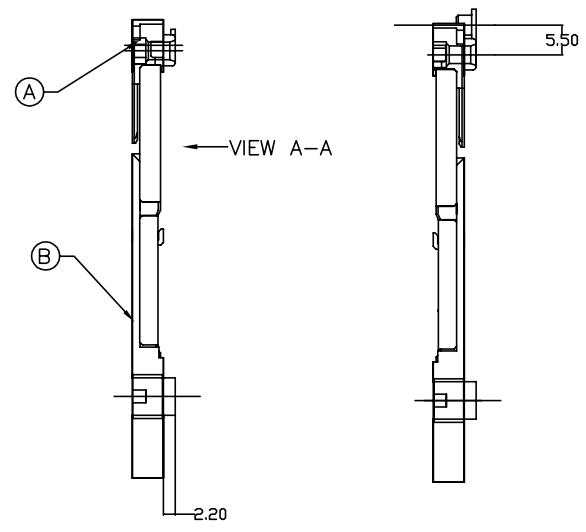
FCI
FCIconnect.com

This document is the property of and embodies CONFIDENTIAL and PROPRIETARY information of FCI. No part of the information shown on this document may be used in any way or disclosed to others without the written consent of FCI.
Copyright FCI.

PRODUCT NUMBER
72305-***
72305-***LF



MATING RECEPTACLE SHOWN FOR APPLICATION CLARITY ONLY. MUST BE ORDERED SEPARATELY



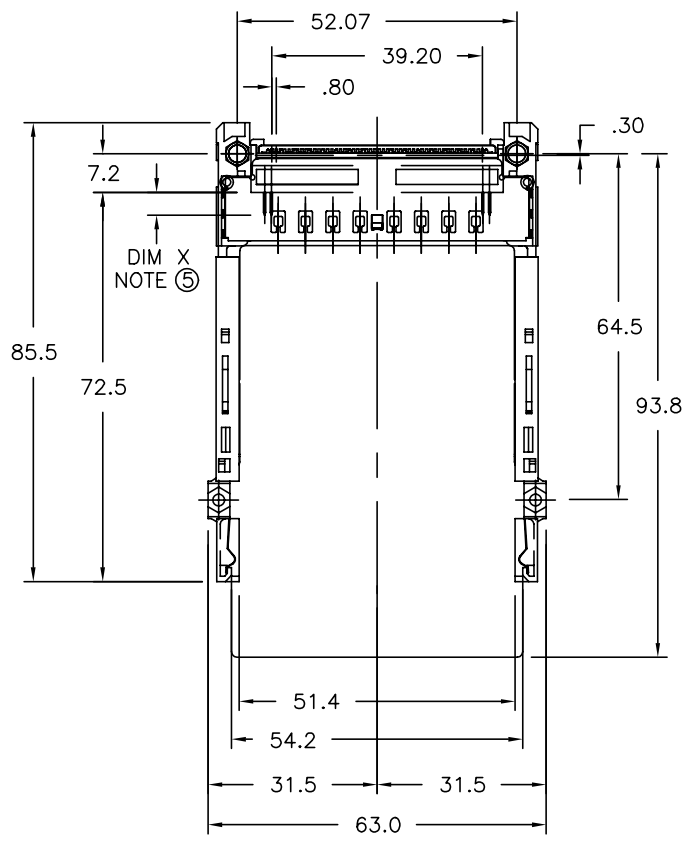
mat'l. code	surface ISO 1302	tolerance ISO 406 ISO 1101	projection MM	product family CARDBUS					
ltn	ecn	no	dr	date	tolerances unless otherwise specified	CARDBUS SINGLE DECK ASS'Y SMT TYPE 123			
					angles	linear	scale		
					±2'				
			dr	Mike Zhou	05/10/06	FCI	dwg no	sheet 4 of 11	size
			enr	Mike Zhou	05/10/06		72305	A 4	
			chr	Mike Zhou	05/10/06		type	CUSTOMER	Drawing
			app	Qin David	05/10/06				
sheet index	revision sheet								

FCI CONFIDENTIAL

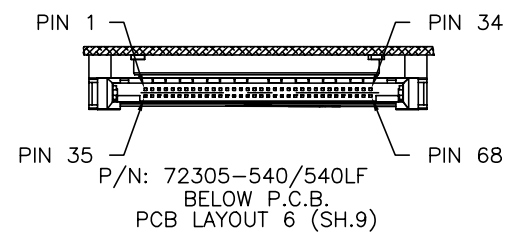
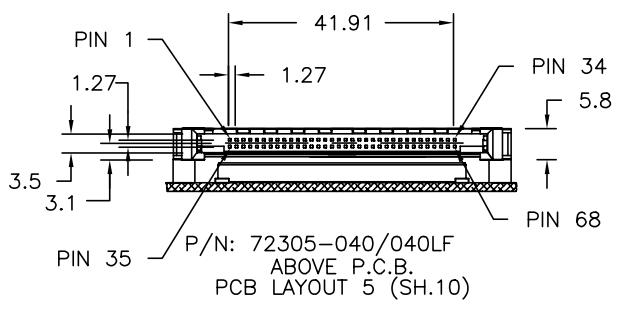
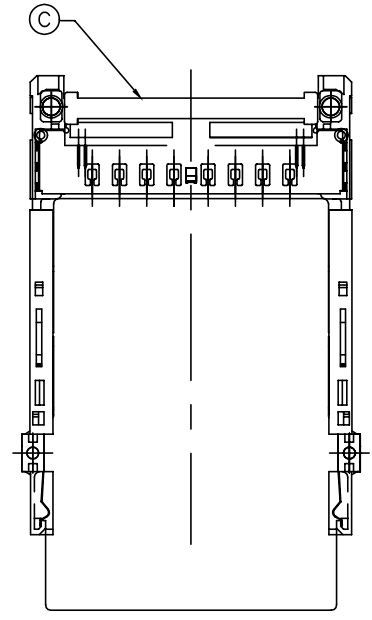
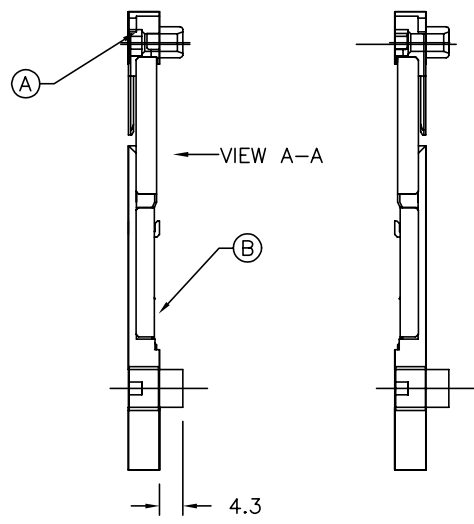
FCI
FCIconnect.com

This document is the property of and embodies CONFIDENTIAL and PROPRIETARY information of FCI. No part of this information shown on this document may be used in any way or disclosed to others without the written consent of FCI.
Copyright FCI.

PRODUCT NUMBER
72305-***
72305-***LF



MATING RECEPTACLE SHOWN FOR APPLICATION CLARITY ONLY. MUST BE ORDERED SEPARATELY



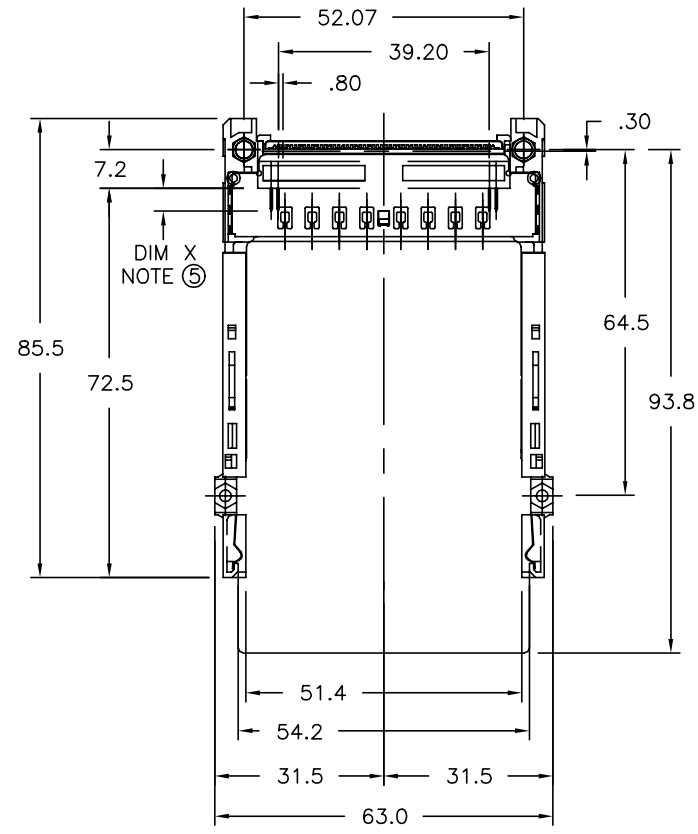
mat'l. code		surface ISO 1302		tolerance ISO 406 ISO 101		projection MM		product family CARDBUS	
ltr ecn nodr date		tolerances unless otherwise specified							
L		angles ±2'		linear		MM		CARDBUS SINGLE DECK ASS'Y SMT TYPE 123	
		dr		Mike Zhou		05/10/06		dwg no	
		engr		Mike Zhou		05/10/06		sheet 5 of 11	
		chr		Mike Zhou		05/10/06		72305	
		appa		Qin David		05/10/06		A 4	
sheet index		revision sheet						type CUSTOMER Drawing	

FCI CONFIDENTIAL

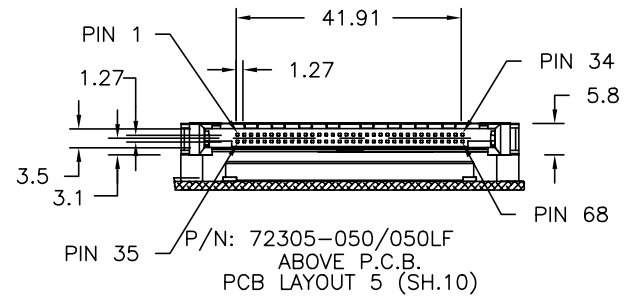
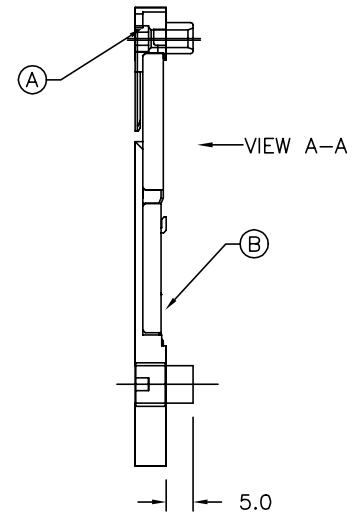
FCI
FCIconnect.com

This document is the property of and embodies CONFIDENTIAL and PROPRIETARY information of FCI. No part of this information shown on this document may be used in any way or disclosed to others without the written consent of FCI.
Copyright FCI.

PRODUCT NUMBER
72305-***
72305-***LF



MATING RECEPTACLE SHOWN FOR APPLICATION CLARITY ONLY. MUST BE ORDERED SEPARATELY



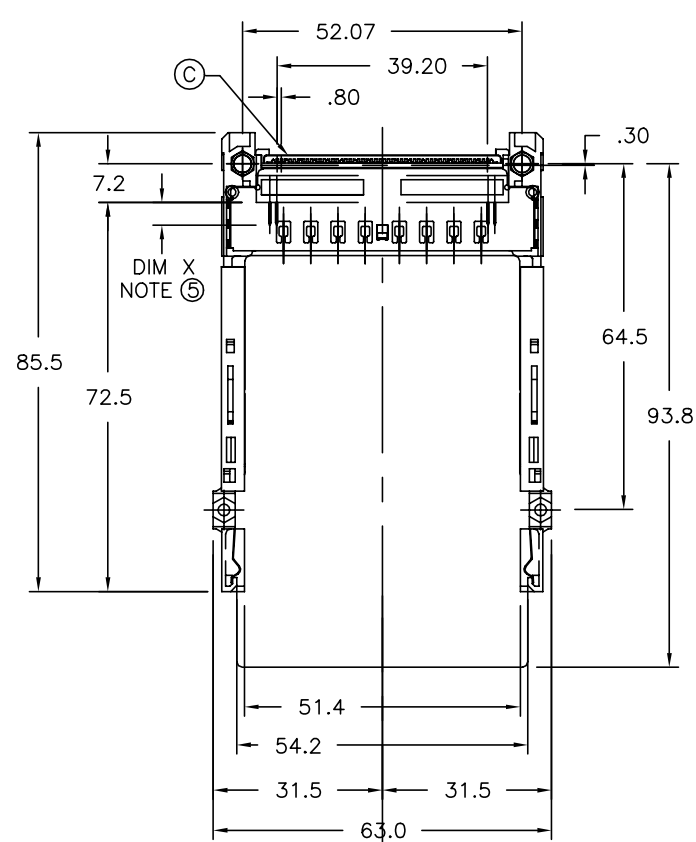
mat'l. code		surface		tolerance		projection		product family	
		ISO 1302		ISO 406 ISO 101				CARDBUS	
ltr ecn no dr date		tolerances unless otherwise specified							
L		angles		linear				CARDBUS SINGLE DECK ASS'Y SMT TYPE 123	
		±2'				scale 4		dwg no sheet 6 of 11 size	
		dr Mike Zhou 05/10/06		enr Mike Zhou 05/10/06		chr Mike Zhou 05/10/06		72305 A 4	
		appa Qin David 05/10/06						type CUSTOMER Drawing	
sheet index		revision sheet							

FCI CONFIDENTIAL

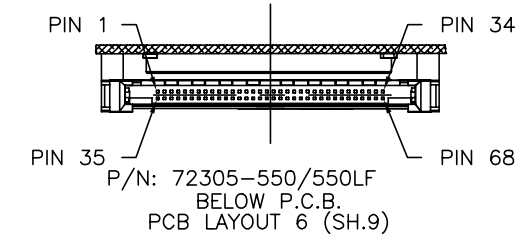
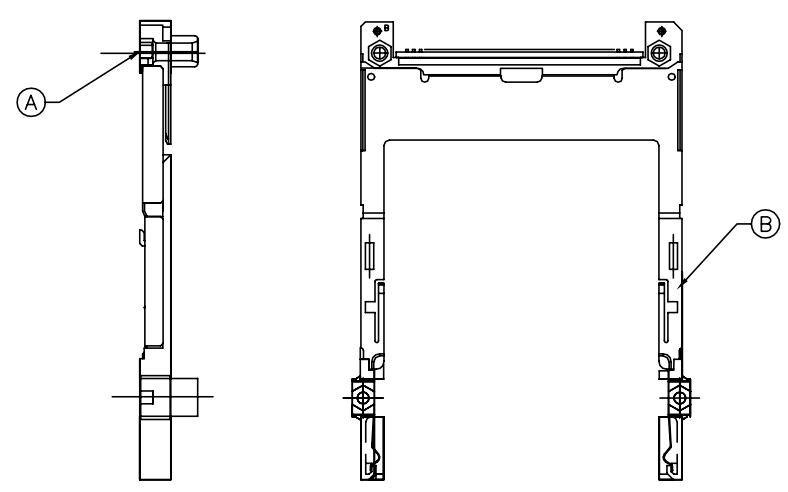
FCI
FCIconnect.com

This document is the property of and embodies CONFIDENTIAL and PROPRIETARY information of FCI. No part of this information shown on this document may be used in any way or disclosed to others without the written consent of FCI.
Copyright FCI.

PRODUCT NUMBER
72305-***
72305-***LF



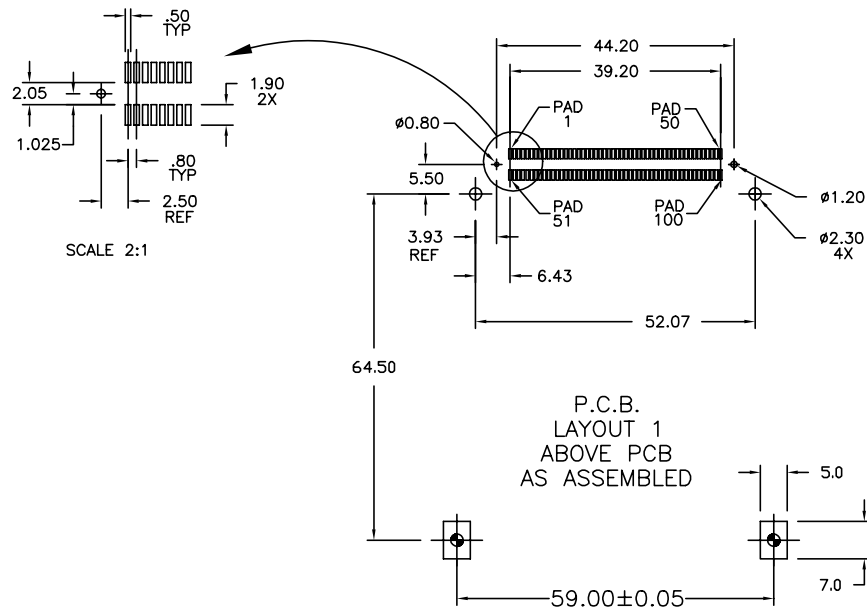
MATING RECEPTACLE SHOWN FOR APPLICATION CLARITY ONLY. MUST BE ORDERED SEPARATELY.



mat'l. code		surface		tolerance		projection		product family	
		ISO 1302		ISO 406 ISO 101				CARDBUS	
ltr ecn no dr date		tolerances unless otherwise specified							
L		angles		linear				CARD BUS SINGLE DECK ASS'Y SMT TYPE 123	
		±2°				MM		dwg no sheet 7 of 11 size	
		dr		Mike Zhou		05/10/06		72305 A 4	
		engr		Mike Zhou		05/10/06		type CUSTOMER Drawing	
		chr		Mike Zhou		05/10/06			
		appd		Qin David		05/10/06			
sheet index		revision sheet							

This document is the property of and embodies CONFIDENTIAL and PROPRIETARY information of FCI. No part of this information shown on this document may be used in any way or disclosed to others without the written consent of FCI.
 Copyright FCI.

P.C.B. LAYOUT FOR 0mm STANDOFF

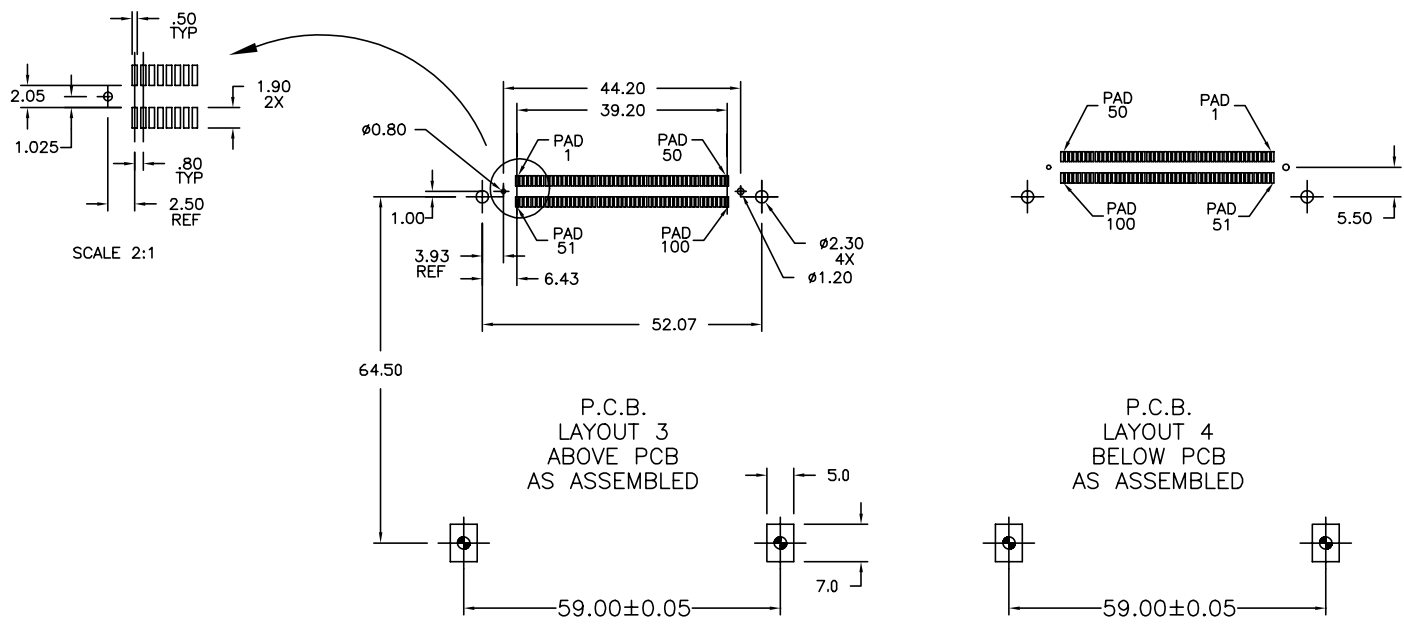


mat'l. code		surface		tolerance		projection		product family	
		ISO 1302		ISO 406 ISO 101				CARDBUS	
ltr ecn no dr date		tolerances unless otherwise specified						title	
L		angles		linear				CARDBUS SINGLE DECK ASS'Y SMT TYPE 123	
		±2'				scale 4			
		dr		Mike Zhou		05/10/06		dwg no	
		enr		Mike Zhou		05/10/06		sheet 8 of 11	
		chr		Mike Zhou		05/10/06		72305	
		appa		Qin David		05/10/06		A 4	
sheet index		revision sheet						type CUSTOMER Drawing	



FCI CONFIDENTIAL

P.C.B. LAYOUT FOR 2.2mm STANDOFF

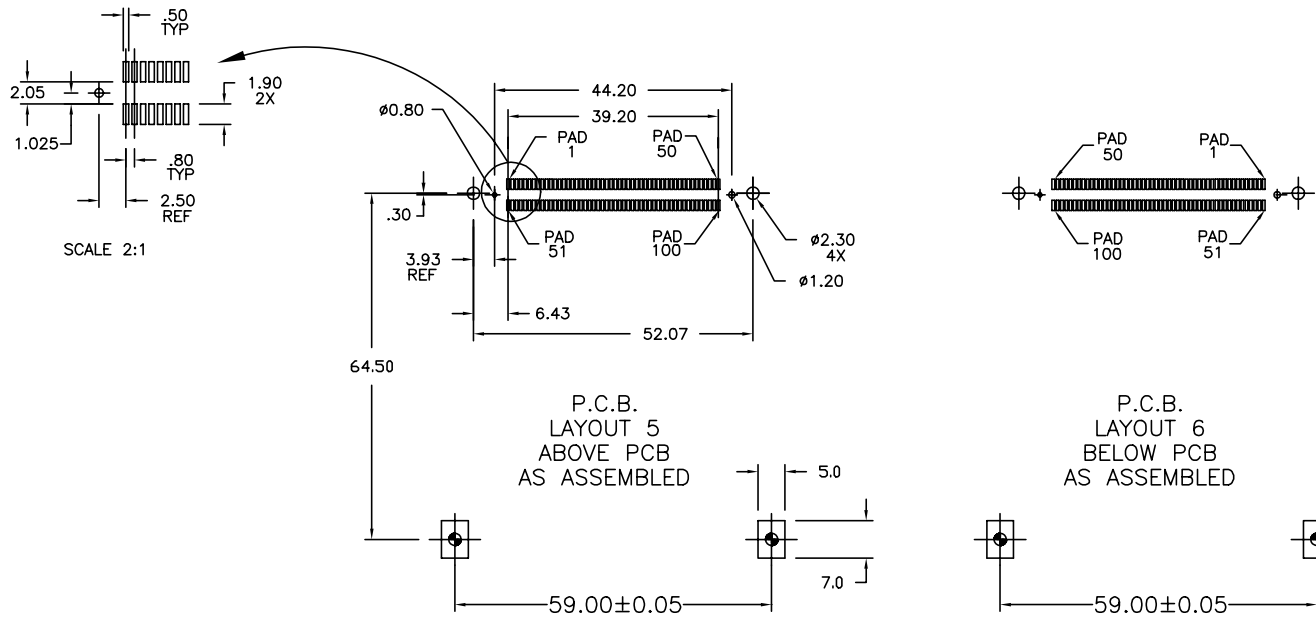


This document is the property of and embodies CONFIDENTIAL and PROPRIETARY information of FCI. No part of this information shown on this document may be used in any way or disclosed to others without the written consent of FCI. Copyright FCI.



mat'l. code		surface		tolerance		projection		product family	
		ISO 1302		ISO 406 ISO 1101				CARDBUS	
ltr ecn no dr date		tolerances unless otherwise specified							
L		angles		linear				CARDBUS SINGLE DECK ASS'Y SMT TYPE 123	
		±2°				MM		scale 4	
		dr		Mike Zhou		05/10/06		dwg no sheet 9 of 11 size	
		enr		Mike Zhou		05/10/06		72305 A 4	
		chr		Mike Zhou		05/10/06		type CUSTOMER Drawing	
		appd		Qin David		05/10/06			
sheet		revision							
index		sheet							

P.C.B. LAYOUT FOR 4.3 AND 5.0mm STANDOFFS



P.C.B. LAYOUT 5 ABOVE PCB AS ASSEMBLED

P.C.B. LAYOUT 6 BELOW PCB AS ASSEMBLED

This document is the property of and embodies CONFIDENTIAL and PROPRIETARY information of FCI. No part of this information shown on this document may be used in any way or disclosed to others without the written consent of FCI.
 Copyright FCI.

mat'l. code		surface		tolerance		projection		product family	
		ISO 1302		ISO 406 ISO 101				CARDBUS	
ltr		ecn		nadr		date		tolerances unless otherwise specified	
L				angles		linear			
				±2°					
		dr		Mike Zhou		05/10/06		dwg no	
		engr		Mike Zhou		05/10/06		sheet: 1 of 1	
		chr		Mike Zhou		05/10/06		72305	
		appa		Qin David		05/10/06		A 4	
								type CUSTOMER Drawing	

sheet	revision																		
index	sheet																		

HEADER PINOUT	TYPE	BTB 100 POS RECEPTACLE	HEADER PINOUT	TYPE	BTB 100 POS RECEPTACLE	SHIELD PINOUT	TYPE	BTB 100 POS RECEPTACLE
1	GND	1	35	GND	51	1	GND	4 & 54
2	SIG	2	36	DET	52	2	GND	7 & 57
3	SIG	3	37	SIG	53	3	GND	10 & 60
4	SIG	5	38	SIG	55	4	GND	13 & 63
5	SIG	6	39	SIG	56	5	GND	16 & 66
6	SIG	8	40	SIG	58	6	GND	19 & 69
7	SIG	9	41	SIG	59	7	GND	22 & 72
8	SIG	11	42	SIG	61	8	GND	25 & 75
9	SIG	12	43	SIG	62	9	GND	26 & 76
10	SIG	14	44	SIG	64	10	GND	29 & 79
11	SIG	15	45	SIG	65	11	GND	32 & 82
12	SIG	17	46	SIG	67	12	GND	35 & 85
13	SIG	18	47	SIG	68	13	GND	38 & 88
14	SIG	20	48	SIG	70	14	GND	41 & 91
15	SIG	21	49	SIG	71	15	GND	44 & 94
16	SIG	23	50	SIG	73	16	GND	47 & 97
17	PWR	24	51	PWR	74			
18	SIG	27	52	SIG	77			
19	SIG	28	53	SIG	78			
20	SIG	30	54	SIG	80			
21	SIG	31	55	SIG	81			
22	SIG	33	56	SIG	83			
23	SIG	34	57	SIG	84			
24	SIG	36	58	SIG	86			
25	SIG	37	59	SIG	87			
26	SIG	39	60	SIG	89			
27	SIG	40	61	SIG	90			
28	SIG	42	62	SIG	92			
29	SIG	43	63	SIG	93			
30	SIG	45	64	SIG	95			
31	SIG	46	65	SIG	96			
32	SIG	48	66	SIG	98			
33	SIG	49	67	DET	99			
34	GND	50	68	GND	100			

NOTES:

- ORDER MATING RECEPTACLE SEPARATELY.
- RECOMMENDED SCREW TORQUE: 1.0 TO 1.5 MAX in-lbs. (1.2-1.7 cm-kgs).
RECOMMENDED HOLD-DOWN - 2mm SCREWS (95121) AND HEX NUTS (92869).
- MATERIAL:
 - HEADER ASSY:
PLASTIC HOUSING: HIGH TEMPERATURE THERMOPLASTIC UL94V-0 BLACK - ABOVE PCB
HIGH TEMPERATURE THERMOPLASTIC UL94V-0 BLACK - BELOW PCB
PIN: PHOSPHOR BRONZE
PCB: FR4
 - MECHANISM ASSY:
PLASTIC GUIDE: HIGH TEMPERATURE THERMOPLASTIC UL94V-0 BLACK
COVER PLATE: STAINLESS STEEL
EMI CONTACT: PHOSPHOR BRONZE
 - .8 BTB RECEPTACLE (73277-101000):
PLASTIC: HIGH TEMPERATURE THERMOPLASTIC UL94V-0 BLACK
CONTACT: BeCu
- FINISH (PIN)
UNDER PLATING: 0.5um Ni
CONTACT AREA: 0.076 μm MIN. GOLD

SOLDER TAIL: 2.5um Sn-Pb FOR TIN LEAD OPTION
2.5um PURE TIN FOR LEAD FREE OPTION

⑤ DIM "X"

4.25±0.1	3.5±0.1	5.0±0.1
OTHERS	36,67	1,17,34,35,51,68

mat'l. code	surface	tolerance	projection	product family
	ISO 1302	ISO 406 ISO 101		CARDBUS
ltr	ecn	no	dr	date
tolerances unless otherwise specified				
L	angles	linear	MM	title
	±2°		scale 4	CARDBUS SINGLE DECK ASS'Y SMT TYPE 123
	dr	Mike Zhou	05/10/06	dwg no
	engr	Mike Zhou	05/10/06	sheet 1 of 11
	chr	Mike Zhou	05/10/06	72305
	appd	Qin David	05/10/06	A 4
				type CUSTOMER Drawing
sheet	revision			
index	sheet			

FCI CONFIDENTIAL

FCI
fciconnect.com

This document is the property of and embodies CONFIDENTIAL and PROPRIETARY information of FCI. No part of this information shown on this document may be used in any way or disclosed to others without the written consent of FCI.
Copyright FCI.