



Chipsmall Limited consists of a professional team with an average of over 10 year of expertise in the distribution of electronic components. Based in Hongkong, we have already established firm and mutual-benefit business relationships with customers from,Europe,America and south Asia,supplying obsolete and hard-to-find components to meet their specific needs.

With the principle of “Quality Parts,Customers Priority,Honest Operation,and Considerate Service”,our business mainly focus on the distribution of electronic components. Line cards we deal with include Microchip,ALPS,ROHM,Xilinx,Pulse,ON,Everlight and Freescale. Main products comprise IC,Modules,Potentiometer,IC Socket,Relay,Connector.Our parts cover such applications as commercial,industrial, and automotives areas.

We are looking forward to setting up business relationship with you and hope to provide you with the best service and solution. Let us make a better world for our industry!



## Contact us

Tel: +86-755-8981 8866 Fax: +86-755-8427 6832

Email & Skype: info@chipsmall.com Web: www.chipsmall.com

Address: A1208, Overseas Decoration Building, #122 Zhenhua RD., Futian, Shenzhen, China



DESCRIPTION: ABOVE AND BELOW P.C.B., DECK IS AS VIEWED BY USER.

| PRODUCT NO.<br>72306-XXX | STAND-OFF<br>HEIGHT<br>DIM L | Ⓐ CLOSEST TO P.C.B.<br>HEADER ASSY<br>72305-XXX | Ⓑ FARTHEST FROM P.C.B.<br>HEADER ASSY<br>72305-XXX | Ⓒ<br>MATING<br>RECEPTACLE  | MOUNTING STYLE TO<br>PCB |
|--------------------------|------------------------------|---|--|--|--------------------------|
| 000                      | 0.0                          | 000   | 005  | 100 POSITION<br>(2x50) 0.8mm<br>RECEPTACLE<br>PART NO.<br>73277-101000<br>ORDER SEPARATELY   |                          |
| 020                      | 2.2                          | 020   | 025  |  |                          |
| 040                      | 4.3                          | 040   | 045  |  |                          |
| 050                      | 5.0                          | 050   | 055  |  |                          |
| 520                      | 2.2                          | 520   | 525  |  |                          |
| 540                      | 4.3                          | 540   | 545  |  |                          |
| 550                      | 5.0                          | 550   | 555  |  |                          |
| 000LF                    | 0.0                          | 000LF   | 005LF  | 100 POSITION<br>(2x50) 0.8mm<br>RECEPTACLE<br>PART NO.<br>73277-101000LF<br>ORDER SEPARATELY |                          |
| 020LF                    | 2.2                          | 020LF   | 025LF  |  |                          |
| 040LF                    | 4.3                          | 040LF   | 045LF  |  |                          |
| 050LF                    | 5.0                          | 050LF   | 055LF  |  |                          |
| 520LF                    | 2.2                          | 520LF   | 525LF  |  |                          |
| 540LF                    | 4.3                          | 540LF   | 545LF  |  |                          |
| 550LF                    | 5.0                          | 550LF   | 555LF  |  |                          |

NOTE:

- SEE 72305 FOR SINGLE DECK APPLICATIONS

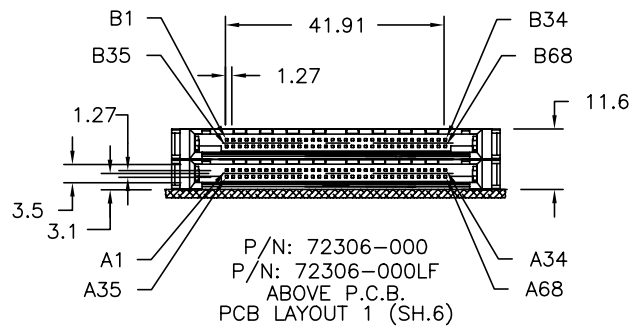
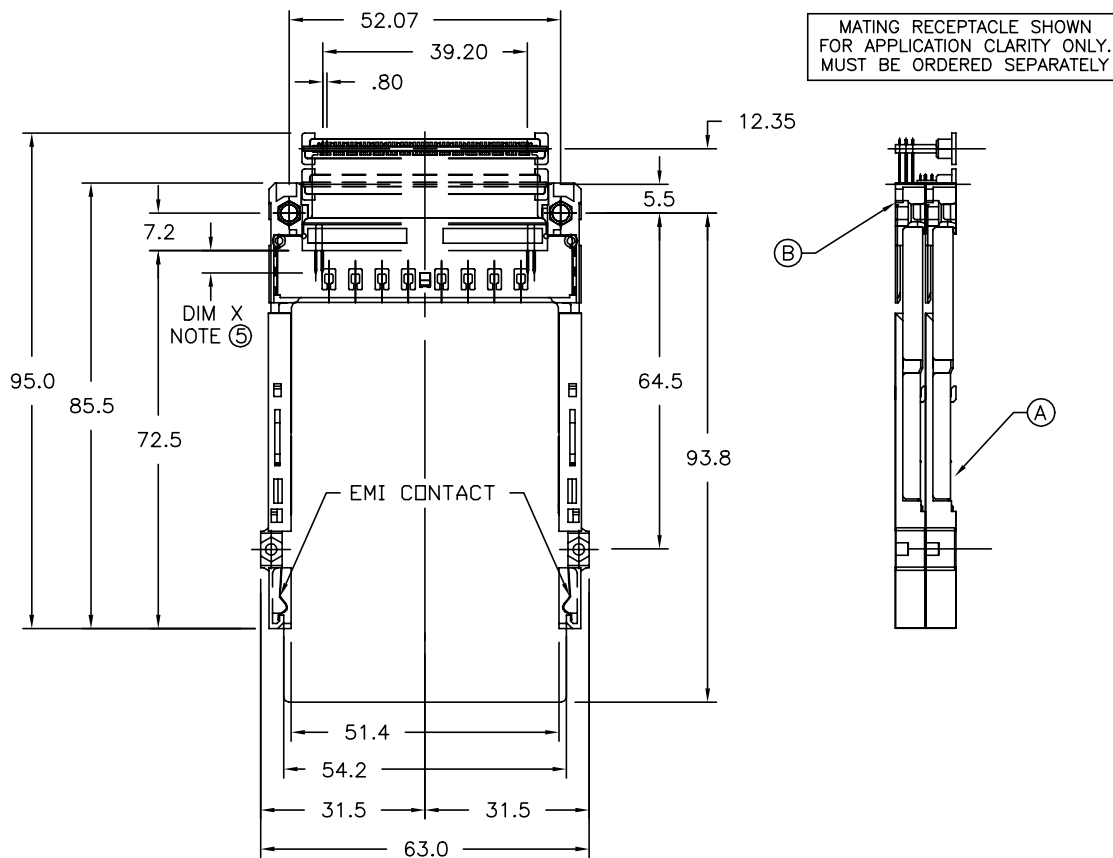
ORDERING INFORMATION

ORDER:

- Ⓐ DECK CLOSEST TO P.C.B.
- Ⓑ DECK FARTHEST FROM P.C.B.
- Ⓒ 2 EACH MATING RECEPTACLES

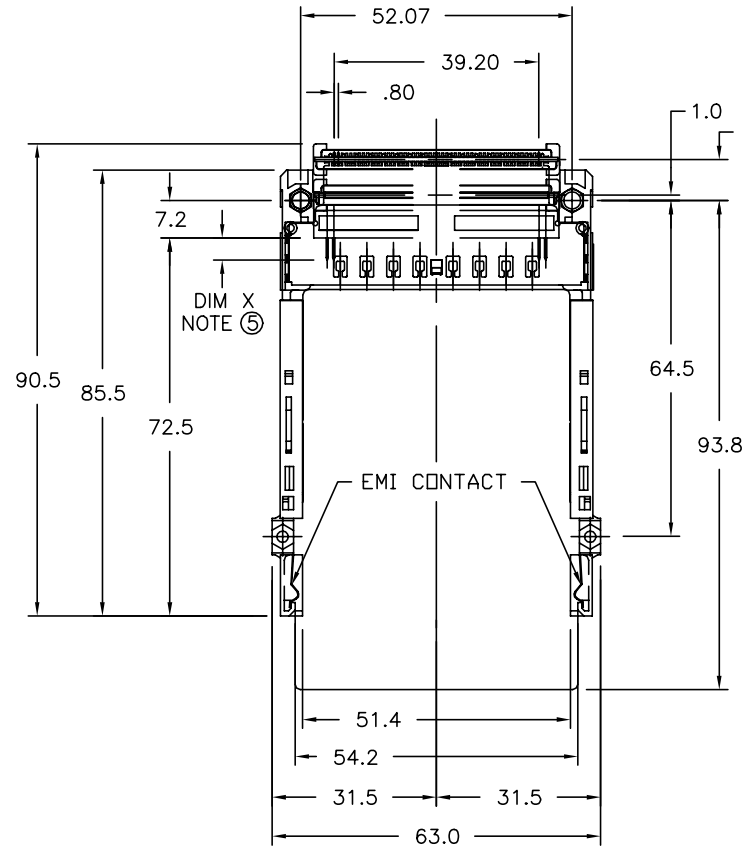
|             |              |                      |          |                             |         |                                       |   |                       |   |
|-------------|--------------|----------------------|----------|-----------------------------|---------|---------------------------------------|---|-----------------------|---|
| mat'l. code |              | surface<br>ISO1302 ✓ |          | tolerance<br>ISO1101 ISO406 |         | projection                            |   | product family<br>MCS |   |
| l           | tr           | ec                   | no       | dr                          | date    | tolerances unless otherwise specified |   | title                 |   |
| D           | V02257       | TFG                  | 11/3/00  | angle                       | 0°±2'   | 0.X±0.3                               |   | CARDBUS DOUBLE DECK   |   |
| E           | N05-0165     | WB                   | 06/15/06 | 0°±2'                       | 0°±2'   | 0.XX±0.13                             |   | ASS'Y SMT TYPE 123    |   |
| F           | BLX-N-011410 | ZK                   | 04/02/12 | 0°±2'                       | 0°±2'   | 0.XXX±0.051                           |   | scale 1:1             |   |
|             |              |                      |          | dr                          | R.GRAPE | 9/9/96                                |   | dwg no                |   |
|             |              |                      |          | enr                         | D.BRANN | 9/9/96                                |   | sheet 1 of 9          |   |
|             |              |                      |          | chr                         | D.BRANN | 9/9/96                                |   | size                  |   |
|             |              |                      |          | appd                        | D.BRANN | 9/9/96                                |   | A4                    |   |
| sheet index |              | revision sheet       |          | type                        |         | Product Customer Drawing              |   |                       |   |
|             |              | 1                    | 2        | F                           | F       | F                                     | F | F                     | F |
|             |              |                      |          | 3                           | 4       | 5                                     | 6 | 7                     | 8 |
|             |              |                      |          |                             |         |                                       |   |                       | 9 |

PRODUCT NUMBER  
72306-\*\*\*/\*\*/\*\*\*LF

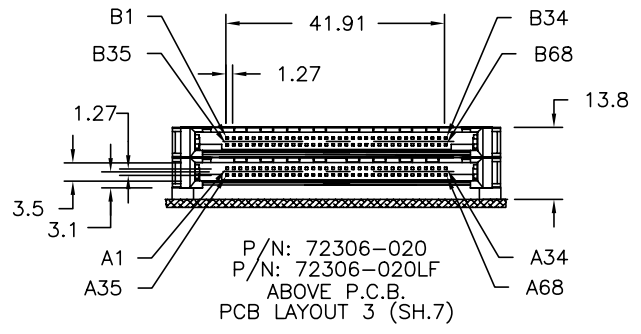
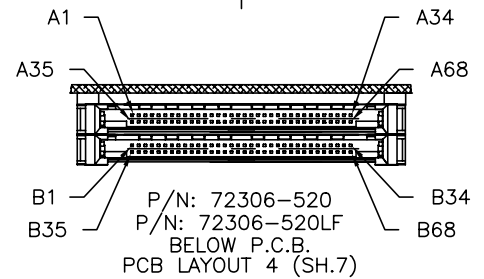
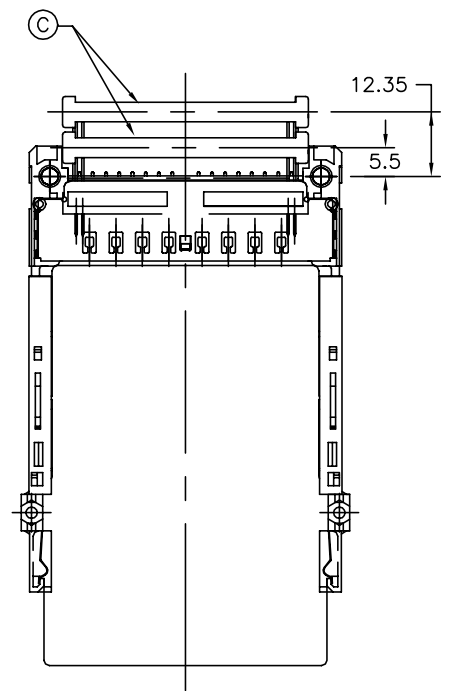
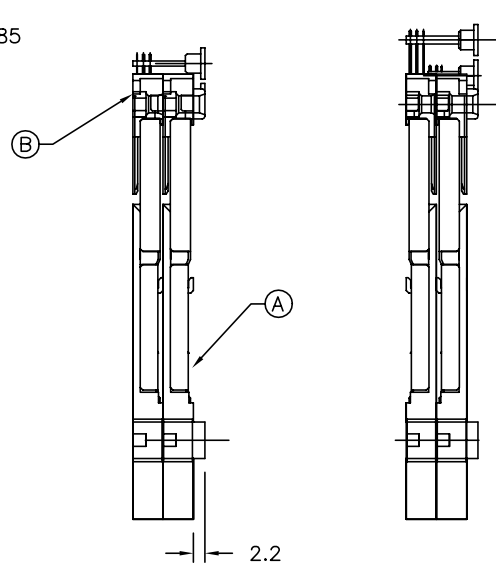


|                    |                                       |                                     |                 |  |
|--------------------|---------------------------------------|-------------------------------------|-----------------|--|
| mat'l. code        | surface<br>ISO1302 ✓                  | tolerance<br>ISO1101 ISO406         | projection<br>⊕ | product family<br>MCS                  |
| l tr ecn nodr date | tolerances unless otherwise specified |                                     | MM              | CARDBUS DOUBLE DECK ASS'Y SMT TYPE 123 |
| F                  | angle<br>0°±2'                        | 0.X±0.3<br>0.XX±0.13<br>0.XXX±0.051 | scale 1:1       |  |
|                    | dr R.GRAPE                            | 9/9/96                              |                 | dwg no 72306 sheet 2 of 9 size A4      |
|                    | enr D.BRANN                           | 9/9/96                              |                 |  |
|                    | chr D.BRANN                           | 9/9/96                              |                 |  |
|                    | appd D.BRANN                          | 9/9/96                              |                 |  |
| sheet index        | revision sheet                        |                                     |                 | type Product Customer Drawing          |

PRODUCT NUMBER  
72306-\*\*\*/\*\*LF



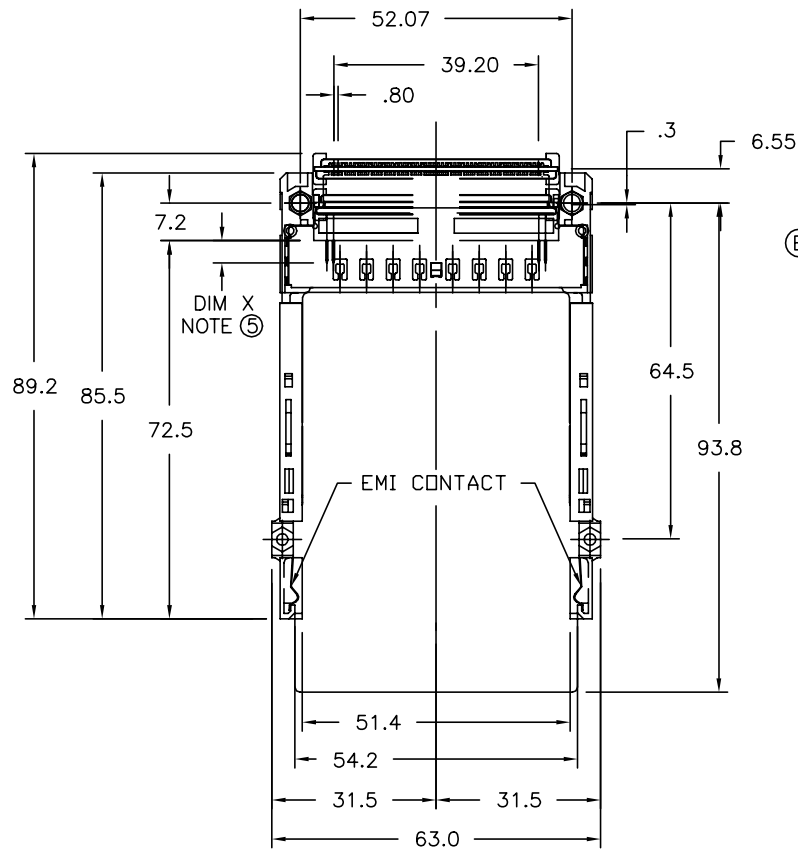
MATING RECEPTACLE SHOWN FOR APPLICATION CLARITY ONLY. MUST BE ORDERED SEPARATELY



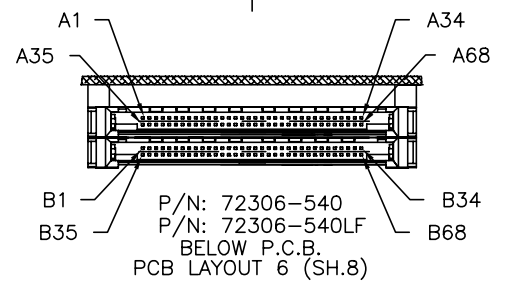
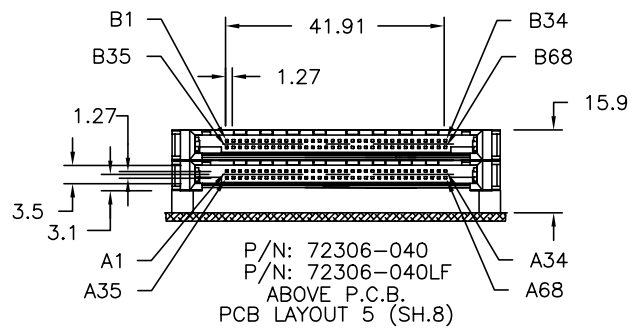
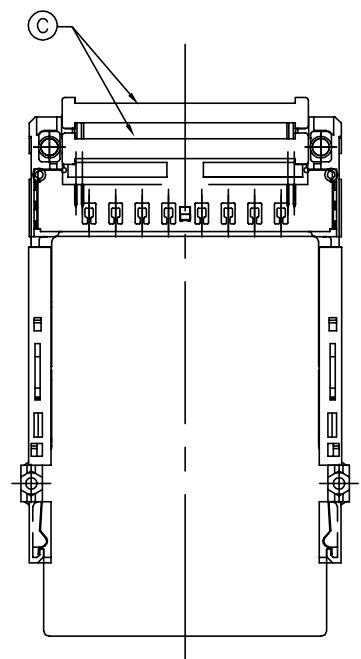
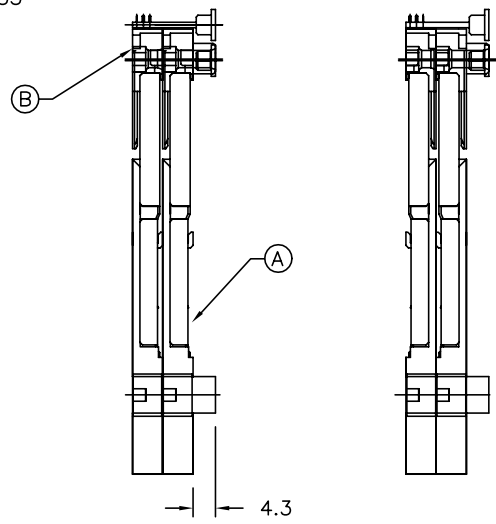
|                   |                                       |                                     |                  |  |
|-------------------|---------------------------------------|-------------------------------------|------------------|--|
| mat'l. code       | surface<br>ISO1302                    | tolerance<br>ISO1101 ISO406         | projection<br>MM | product family<br>MCS                  |
| ltr ecn nodr date | tolerances unless otherwise specified |                                     | MM               | CARDBUS DOUBLE DECK ASS'Y SMT TYPE 123 |
| F                 | angle<br>0°±2'                        | 0.X±0.3<br>0.XX±0.13<br>0.XXX±0.051 | scale 1:1        | dwg no 72306 sheet 3 of 9 size A4      |
|                   | dr R.GRAPE 9/9/96                     | engr D.BRANN 9/9/96                 | FCI              | type Product Customer Drawing          |
|                   | chr D.BRANN 9/9/96                    | appd D.BRANN 9/9/96                 |                  |  |
| sheet index       | revision sheet                        |                                     |                  |  |



PRODUCT NUMBER  
72306-\*\*\*/\*\*\*/LF



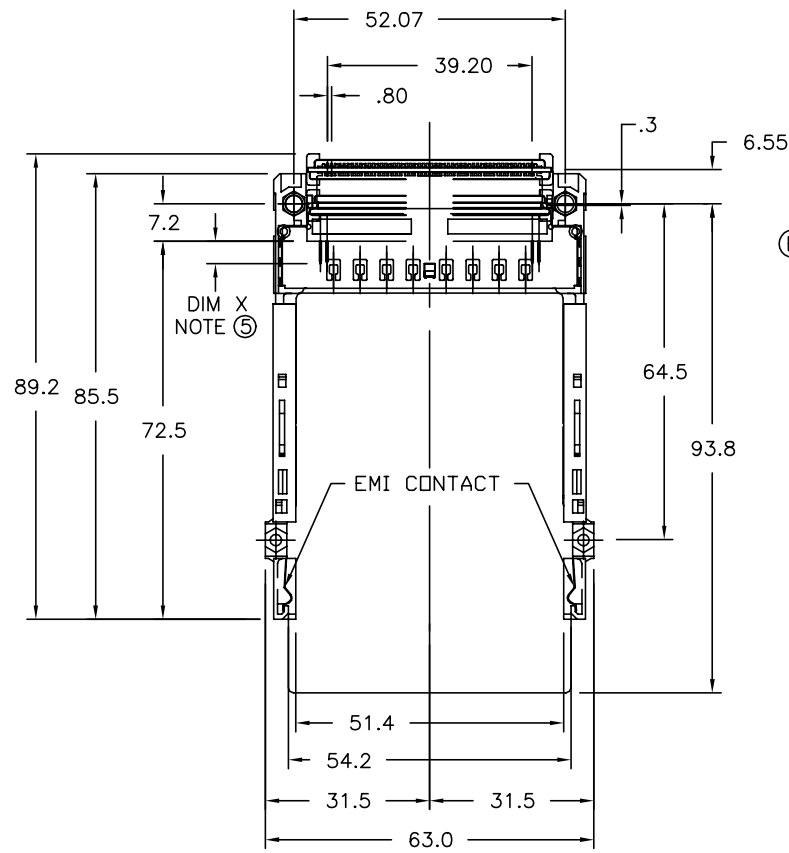
MATING RECEPTACLE SHOWN FOR APPLICATION CLARITY ONLY. MUST BE ORDERED SEPARATELY.



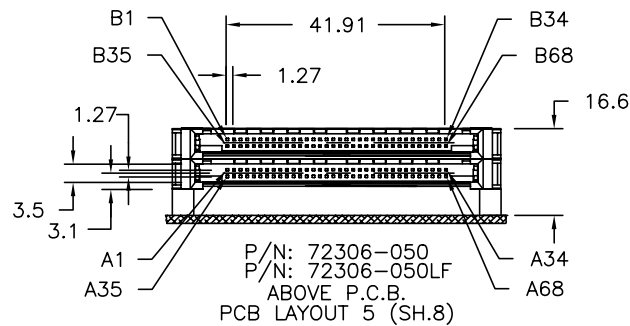
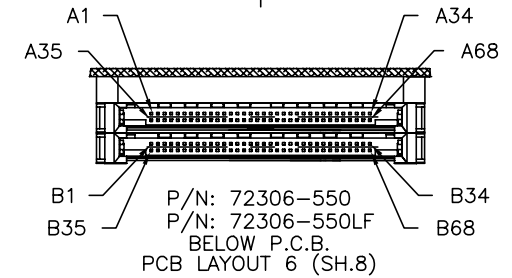
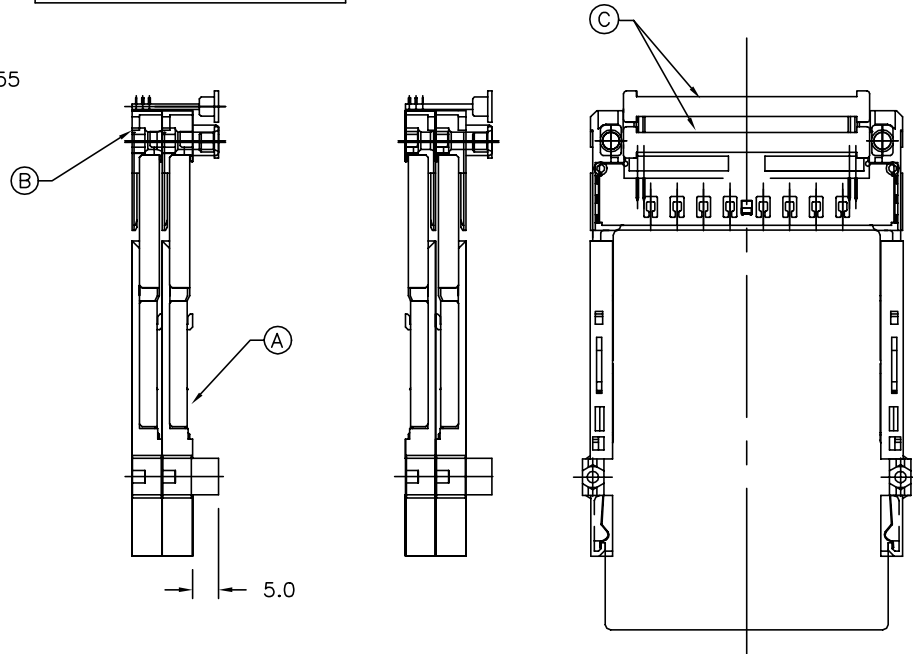
|                    |                                       |                                     |                  |  |
|--------------------|---------------------------------------|-------------------------------------|------------------|--|
| mat'l. code        | surface<br>ISO1302                    | tolerance<br>ISO1101 ISO406         | projection<br>MM | product family<br>MCS                              |
| l trechn nodr date | tolerances unless otherwise specified |                                     | scale 1:1        | title<br>CARDBUS DOUBLE DECK<br>ASS'Y SMT TYPE 123 |
| F                  | angle<br>0°±2'                        | 0.X±0.3<br>0.XX±0.13<br>0.XXX±0.051 | MM               | dwg no<br>72306                                    |
|                    | dr R.GRAPE                            | 9/9/96                              |                  | sheet 4 of 9                                       |
|                    | enr D.BRANN                           | 9/9/96                              |                  | size<br>A4   |
|                    | chr D.BRANN                           | 9/9/96                              |                  | type Product Customer Drawing                      |
|                    | appd D.BRANN                          | 9/9/96                              |                  |  |
| sheet index        | revision sheet                        |                                     |                  |  |



|                |
|----------------|
| PRODUCT NUMBER |
| 72306-***/**LF |

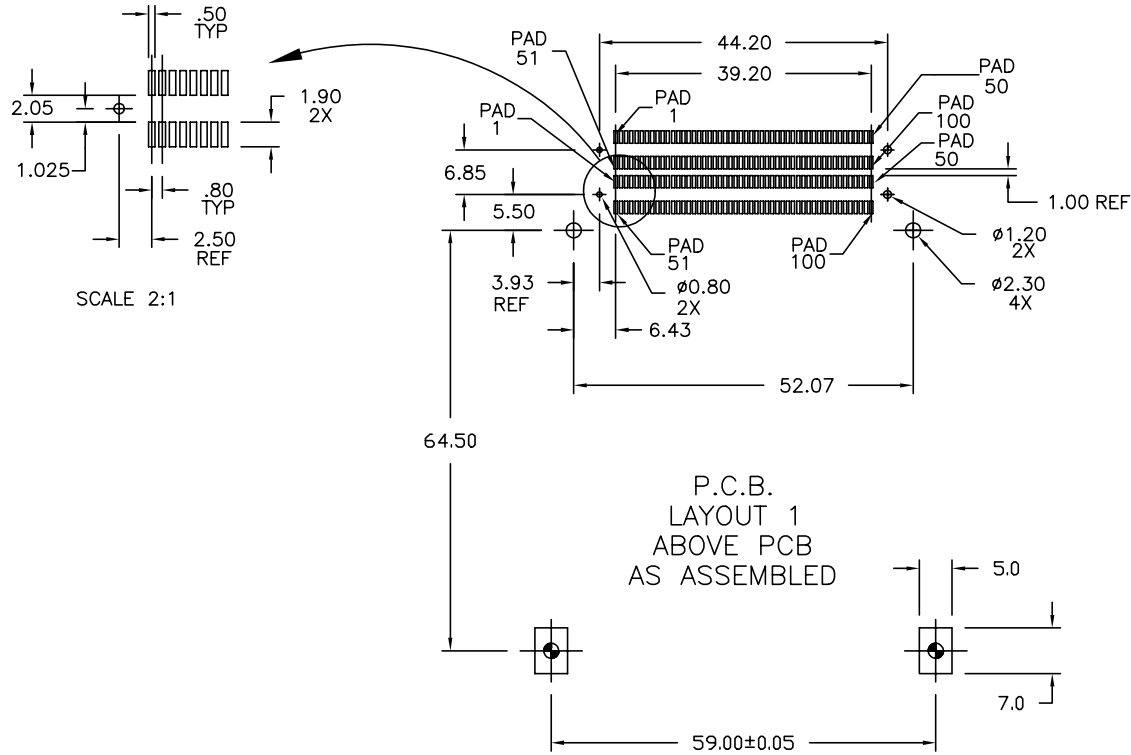


MATING RECEPTACLE SHOWN FOR APPLICATION CLARITY ONLY. MUST BE ORDERED SEPARATELY



|                    |                                       |                             |                  |                                       |
|--------------------|---------------------------------------|-----------------------------|------------------|---------------------------------------|
| mat'l. code        | surface<br>ISO1302                    | tolerance<br>ISO1101 ISO406 | projection<br>MM | product family<br>MCS                 |
| l trechn nodr date | tolerances unless otherwise specified |                             | scale 1:1        | CARBUS DOUBLE DECK ASS'Y SMT TYPE 123 |
| F                  | angle                                 | 0.X±0.3                     | MM               | dwg no 72306 sheet 5 of 9 size A4     |
|                    | 0°±2'                                 | 0.XX±0.13                   |                  |                                       |
|                    |                                       | 0.XXX±0.051                 |                  |                                       |
| dr                 | R.GRAPE                               | 9/9/96                      |                  | type Product Customer Drawing         |
| enr                | D.BRANN                               | 9/9/96                      |                  |                                       |
| chr                | D.BRANN                               | 9/9/96                      |                  |                                       |
| appd               | D.BRANN                               | 9/9/96                      |                  |                                       |
| sheet index        | revision sheet                        |                             |                  |                                       |

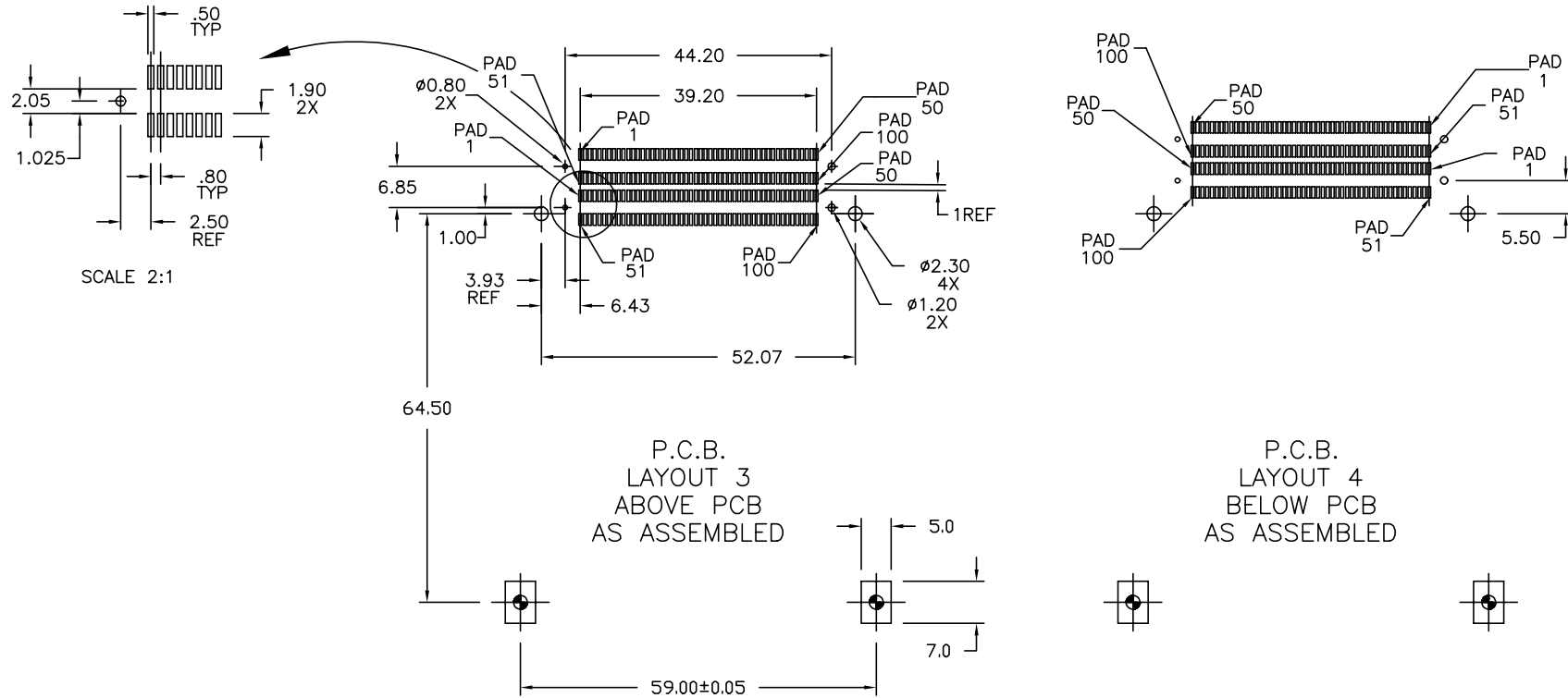
# P.C.B. LAYOUT FOR 0mm STANDOFF



P.C.B.  
LAYOUT 1  
ABOVE PCB  
AS ASSEMBLED

|             |           |                |            |                                       |
|-------------|-----------|----------------|------------|---------------------------------------|
| mat'l. code | surface   | tolerance      | projection | product family                        |
|             | ISO1302 ✓ | ISO1101 ISO406 |            | MCS                                   |
| ltr         | ecm       | nodr           | date       | tolerances unless otherwise specified |
| F           |           |                |            | MM                                    |
|             |           |                |            | scale 1:1                             |
|             |           |                |            | title                                 |
|             |           |                |            | CARDBUS DOUBLE DECK                   |
|             |           |                |            | ASS'Y SMT TYPE 123                    |
|             | dr        | R.GRAPE        | 9/9/96     | dwg no                                |
|             | engr      | D.BRANN        | 9/9/96     | sheet 6 of 9                          |
|             | chr       | D.BRANN        | 9/9/96     | size                                  |
|             | appd      | D.BRANN        | 9/9/96     | A4                                    |
| sheet       | revision  |                |            | type                                  |
| index       | sheet     |                |            | Product Customer Drawing              |

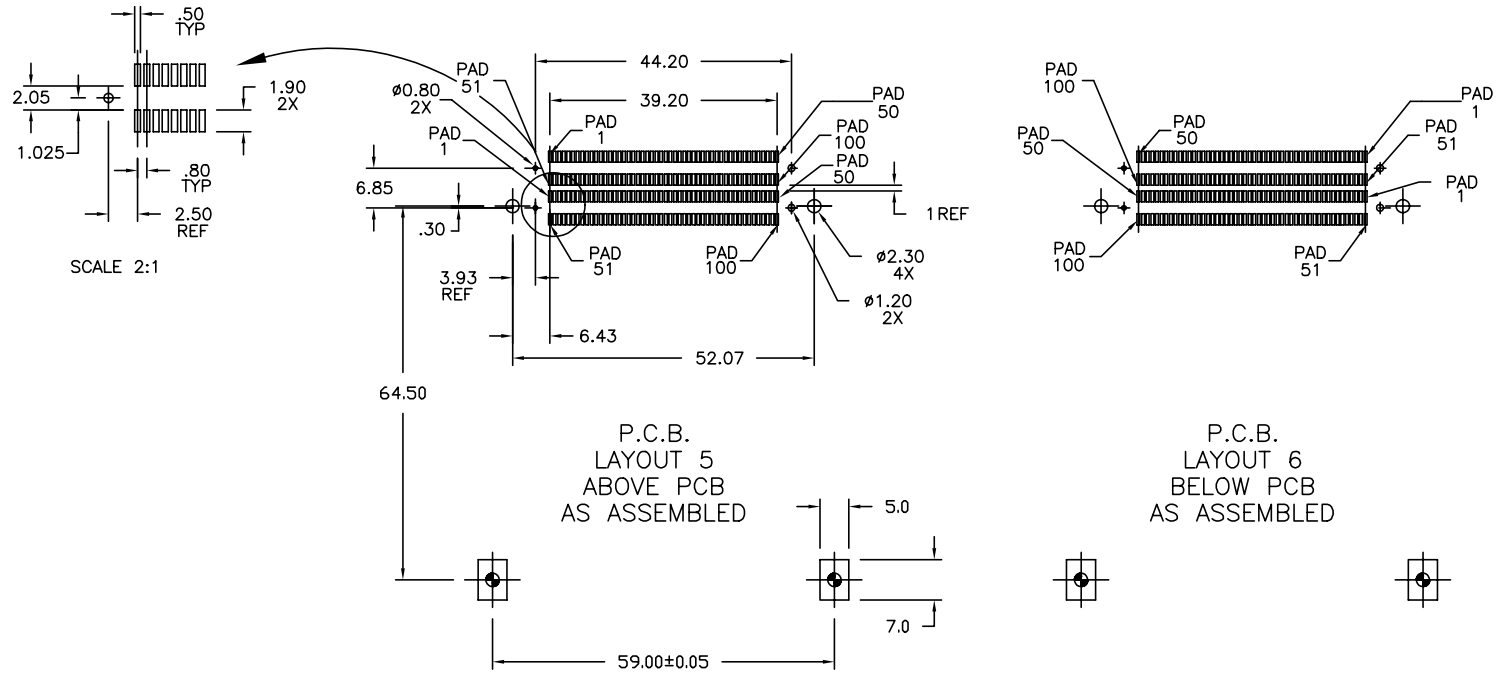
# P.C.B. LAYOUT FOR 2.2mm STANDOFF



|                   |                                       |                                     |                  |  |
|-------------------|---------------------------------------|-------------------------------------|------------------|--|
| mat'l. code       | surface<br>ISO1302                    | tolerance<br>ISO1101 ISO406         | projection<br>MM | product family<br>MCS                              |
| ltr ecn nodr date | tolerances unless otherwise specified |                                     | scale 1:1        | title<br>CARDBUS DOUBLE DECK<br>ASS'Y SMT TYPE 123 |
| F                 | angle                                 | 0.X±0.3<br>0.XX±0.13<br>0.XXX±0.051 | MM               | dwg no<br>72306                                    |
|                   | dr                                    | R.GRAPE 9/9/96                      |                  | sheet 7 of 9                                       |
|                   | engr                                  | D.BRANN 9/9/96                      |                  | size<br>A4   |
|                   | chr                                   | D.BRANN 9/9/96                      |                  | type<br>Product Customer Drawing                   |
|                   | appd                                  | D.BRANN 9/9/96                      |                  |  |
| sheet index       | revision sheet                        |                                     |                  |  |



# P.C.B. LAYOUT FOR 4.3 AND 5.0mm STANDOFFS



P.C.B. LAYOUT 5 ABOVE PCB AS ASSEMBLED

P.C.B. LAYOUT 6 BELOW PCB AS ASSEMBLED

|              |                                       |                                     |                           |   |                          |
|--------------|---------------------------------------|-------------------------------------|---------------------------|---|--------------------------|
| mat'l. code  | surface<br>ISO1302 ✓                  | tolerance<br>ISO1101 ISO406         | projection<br>ASME Y14.5M | product family<br>MCS                     |                          |
| ltr ecn nodr | tolerances unless otherwise specified |                                     | title                     |   |                          |
| F            | angle<br>0°±2'                        | 0.X±0.3<br>0.XX±0.13<br>0.XXX±0.051 | MM                        | CARDBUS DOUBLE DECK<br>ASS'Y SMT TYPE 123 |                          |
| dr           | R.GRAPE                               | 9/9/96                              | scale 1:1                 | dwg no                                    |                          |
| engr         | D.BRANN                               | 9/9/96                              |                           | sheet 8 of 9                              |                          |
| chr          | D.BRANN                               | 9/9/96                              |                           | 72306                                     | size<br>A4               |
| appd         | D.BRANN                               | 9/9/96                              |                           | type                                      | Product Customer Drawing |
| sheet index  | revision sheet                        |                                     |                           |   |                          |

| HEADER PINOUT | TYPE | BTB 100 POS RECEPTACLE | HEADER PINOUT | TYPE | BTB 100 POS RECEPTACLE | SHIELD PINOUT | TYPE | BTB 100 POS RECEPTACLE |
|---------------|------|------------------------|---------------|------|------------------------|---------------|------|------------------------|
| 1             | GND  | 1                      | 35            | GND  | 51                     | 1             | GND  | 4 & 54                 |
| 2             | SIG  | 2                      | 36            | DET  | 52                     | 2             | GND  | 7 & 57                 |
| 3             | SIG  | 3                      | 37            | SIG  | 53                     | 3             | GND  | 10 & 60                |
| 4             | SIG  | 5                      | 38            | SIG  | 55                     | 4             | GND  | 13 & 63                |
| 5             | SIG  | 6                      | 39            | SIG  | 56                     | 5             | GND  | 16 & 66                |
| 6             | SIG  | 8                      | 40            | SIG  | 58                     | 6             | GND  | 19 & 69                |
| 7             | SIG  | 9                      | 41            | SIG  | 59                     | 7             | GND  | 22 & 72                |
| 8             | SIG  | 11                     | 42            | SIG  | 61                     | 8             | GND  | 25 & 75                |
| 9             | SIG  | 12                     | 43            | SIG  | 62                     | 9             | GND  | 26 & 76                |
| 10            | SIG  | 14                     | 44            | SIG  | 64                     | 10            | GND  | 29 & 79                |
| 11            | SIG  | 15                     | 45            | SIG  | 65                     | 11            | GND  | 32 & 82                |
| 12            | SIG  | 17                     | 46            | SIG  | 67                     | 12            | GND  | 35 & 85                |
| 13            | SIG  | 18                     | 47            | SIG  | 68                     | 13            | GND  | 38 & 88                |
| 14            | SIG  | 20                     | 48            | SIG  | 70                     | 14            | GND  | 41 & 91                |
| 15            | SIG  | 21                     | 49            | SIG  | 71                     | 15            | GND  | 44 & 94                |
| 16            | SIG  | 23                     | 50            | SIG  | 73                     | 16            | GND  | 47 & 97                |
| 17            | PWR  | 24                     | 51            | PWR  | 74                     |               |      |                        |
| 18            | SIG  | 27                     | 52            | SIG  | 77                     |               |      |                        |
| 19            | SIG  | 28                     | 53            | SIG  | 78                     |               |      |                        |
| 20            | SIG  | 30                     | 54            | SIG  | 80                     |               |      |                        |
| 21            | SIG  | 31                     | 55            | SIG  | 81                     |               |      |                        |
| 22            | SIG  | 33                     | 56            | SIG  | 83                     |               |      |                        |
| 23            | SIG  | 34                     | 57            | SIG  | 84                     |               |      |                        |
| 24            | SIG  | 36                     | 58            | SIG  | 86                     |               |      |                        |
| 25            | SIG  | 37                     | 59            | SIG  | 87                     |               |      |                        |
| 26            | SIG  | 39                     | 60            | SIG  | 89                     |               |      |                        |
| 27            | SIG  | 40                     | 61            | SIG  | 90                     |               |      |                        |
| 28            | SIG  | 42                     | 62            | SIG  | 92                     |               |      |                        |
| 29            | SIG  | 43                     | 63            | SIG  | 93                     |               |      |                        |
| 30            | SIG  | 45                     | 64            | SIG  | 95                     |               |      |                        |
| 31            | SIG  | 46                     | 65            | SIG  | 96                     |               |      |                        |
| 32            | SIG  | 48                     | 66            | SIG  | 98                     |               |      |                        |
| 33            | SIG  | 49                     | 67            | DET  | 99                     |               |      |                        |
| 34            | GND  | 50                     | 68            | GND  | 100                    |               |      |                        |

NOTES:

- ORDER MATING RECEPTACLES SEPARATELY.
- RECOMMENDED SCREW TORQUE: 1.0 TO 1.5 MAX in-lbs. (1.2-1.7 cm-kgs).  
RECOMMENDED HOLD-DOWN - 2mm SCREWS (95121)  
AND HEX NUTS (92869).
- MATERIAL:
  - HEADER ASSY:  
PLASTIC HOUSING: HIGH TEMPERATURE THERMOPLASTIC UL94V-0 BLACK - ABOVE PCB  
HIGH TEMPERATURE THERMOPLASTIC UL94V-0 BLACK - BELOW PCB  
PIN: PHOSPHOR BRONZE  
PCB: FR4
  - MECHANISM ASSY:  
PLASTIC GUIDE: HIGH TEMPERATURE THERMOPLASTIC UL94V-0 BLACK  
COVER PLATE: STAINLESS STEEL  
EMI CONTACT: PHOSPHOR BRONZE
  - .8 BTB RECEPTACLE (73277-101000):  
PLASTIC: HIGH TEMPERATURE THERMOPLASTIC UL94V-0 BLACK  
CONTACT: BeCu
- FINISH (PIN)  
UNDER PLATING: 0.5um Ni  
CONTACT AREA: 0.076 μm MIN. GOLD  
  
SOLDER TAIL: 2.5um Sn-Pb  
2.5um PURE Sn ( FOR -\*\*\*LF)

⑤ DIM "X"

|          |         |                  |
|----------|---------|------------------|
| 4.25±0.1 | 3.5±0.1 | 5.0±0.1          |
| OTHERS   | 36,67   | 1,17,34,35,51,68 |

- IF LEAD FREE P.N.THE HOUSING WILL WITHSTAND EXPOSURE TO 260°C PEAK TEMPERATURE FOR 10 SECONDS IN A WAVE SOLDER APPLICATION WITH A 1.00MM MINIMUM THICK CIRCUIT BOARD.
- IF LEAD FREE P/N.THE PRODUCT MEETS EUROPEAN UNION DIRECTIVES AND OTHER COUNTRY REGULATIONS AS DESCRIBED IN GS-22-008
- LEAD FREE P/N PACKAGING MEETS GS-14-920 SPECIFICATION
- PRODUCT SPEC:110-263

|              |                      |                                       |                 |  |
|--------------|----------------------|---------------------------------------|-----------------|--|
| mat'l. code  | surface<br>ISO1302 ✓ | tolerance<br>ISO1101 ISO406           | projection<br>  | product family<br>MCS                    |
| ltr ecn nodr | date                 | tolerances unless otherwise specified |                 | title                                    |
| F            |                      | angle<br>0°±2'                        | MM<br>scale 1:1 | CARBUS DOUBLE DECK<br>ASS'Y SMT TYPE 123 |
|              |                      | dr R.GRAPE 9/9/96                     |                 | dwg no 72306 sheet 9 of 9 size A4        |
|              |                      | engr D.BRANN 9/9/96                   |                 |  |
|              |                      | chr D.BRANN 9/9/96                    |                 |  |
|              |                      | appd D.BRANN 9/9/96                   |                 |  |
| sheet index  | revision sheet       |                                       |                 | type Product Customer Drawing            |