



Chipsmall Limited consists of a professional team with an average of over 10 year of expertise in the distribution of electronic components. Based in Hongkong, we have already established firm and mutual-benefit business relationships with customers from,Europe,America and south Asia,supplying obsolete and hard-to-find components to meet their specific needs.

With the principle of "Quality Parts,Customers Priority,Honest Operation,and Considerate Service",our business mainly focus on the distribution of electronic components. Line cards we deal with include Microchip,ALPS,ROHM,Xilinx,Pulse,ON,Everlight and Freescale. Main products comprise IC,Modules,Potentiometer,IC Socket,Relay,Connector.Our parts cover such applications as commercial,industrial, and automotives areas.

We are looking forward to setting up business relationship with you and hope to provide you with the best service and solution. Let us make a better world for our industry!



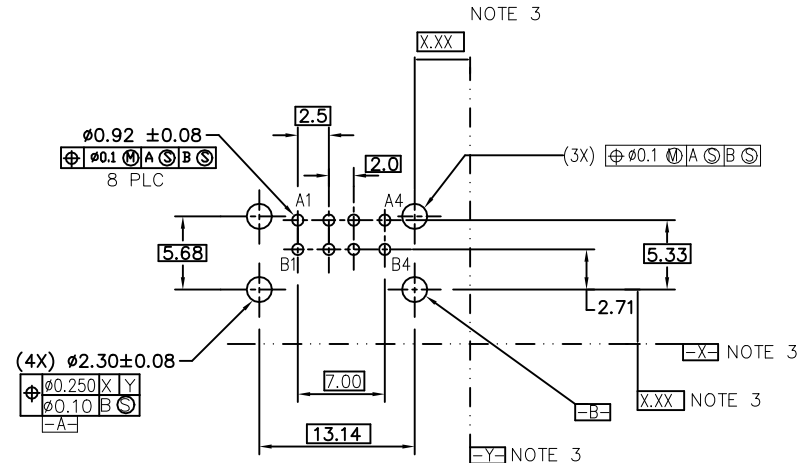
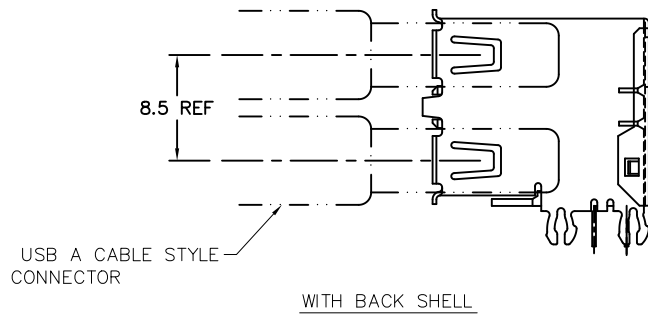
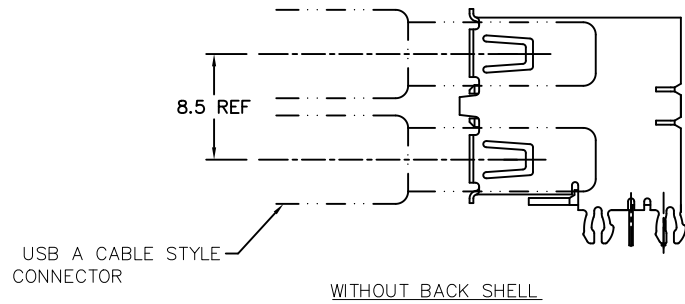
## Contact us

Tel: +86-755-8981 8866 Fax: +86-755-8427 6832

Email & Skype: info@chipsmall.com Web: www.chipsmall.com

Address: A1208, Overseas Decoration Building, #122 Zhenhua RD., Futian, Shenzhen, China



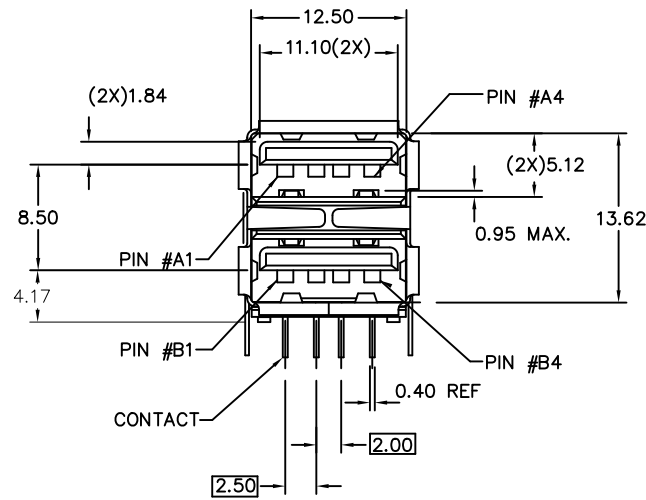
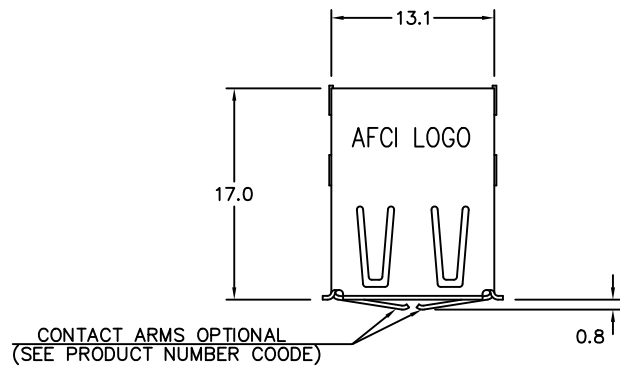


RECOMMENDED PCB DIMENSIONS

NOTES:

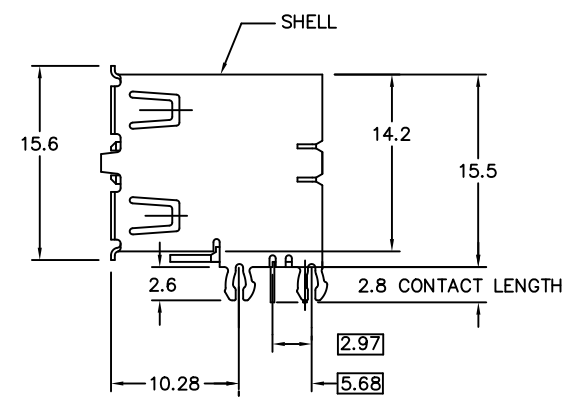
- 1.MATERIAL:  
CONTACTS—COPPER ALLOY  
SHELL—COPPER ALLOY  
HOUSING—UL 94—V—0 RATED THERMOPLASTIC.
- 2.PLATING:  
CONTACTS: SEE PRODUCT NUMBER CODE;  
SHELL: SEE PRODUCT NUMBER CODE.
- ③DATUM AND BASIC DIMENSIONS ESTABLISHED BY CUSTOMER.
- 4.RECOMMENDED PC BOARD THICKNESS OF 1.57mm.
- 5.P/N SEE PRODUCT NUMBER CODE.  
( TO BE CONTINUED)

mat'l. code				surface	tolerance	projection	product family		
				ISO 1302	ISO 406	ISO 1101	USB HPL511		
ltr	ecn no	dr	date	tolerances unless otherwise specified			title		
AK	ELX-N-26385	LZ	2017/03/17	angles	linear	mm	UNIV. SERIAL BUS DOUBLE DECK RECEPTACLE		
AD	N05-0106	PH	04/13/05	0°±3°			dwg no		
AE	N06-0101	HB	04/13/06			scale 1:1	sheet 1 of 4 size		
AF	N06-0133	HB	05/17/06	dr	Laurence.Zang	2017/03/17	72309 A3		
AG	N08-0198	RB	2008/09/10	eng	Laurence.Zang	2017/03/17	type Product Customer Drawing		
AH	N08-0238	RB	2008/11/01	chr	LQ Lei	2017/03/17			
AJ	ELX-N-004654	A.ZH	2011/07/28	app	Tim Yao	2017/03/17			
sheet	revision								
index	sheet	1~4							

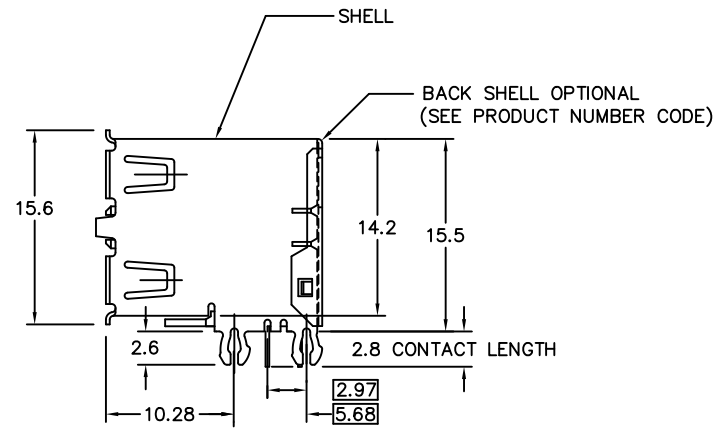
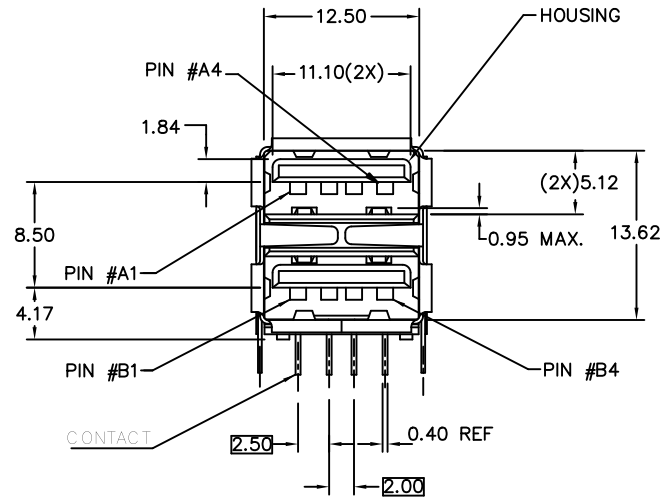
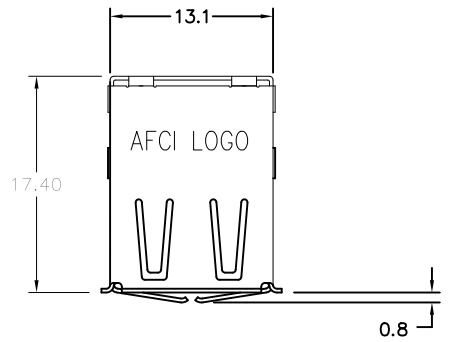


ASSEMBLY WITHOUT BACK SHIELD  
72309-XX3XX SHOWN

- (CONTINUED)
6. FOR LEAD FREE P/N, A LEAD FREE LABEL WILL APPEAR AT PACKING.
  7. FOR LEAD FREE P/N, THE HOUSING WILL WITHSTAND EXPOSURE TO 260°C PEAK TEMPERATURE FOR 40 SECONDS IN A CONVECTION, INFRA-RED OR VAPOR PHASE REFLOW OVEN.
  8. FOR LEAD FREE P/N, THE PRODUCT MEET EUROPEAN UNION DIRECTIVES AND OTHER COUNTRY REGULATION AS DESCRIBED IN GS-22-008
  9. PACKAGING SPECIFICATION PER GS-14-393.
  10. PRODUCT SPECIFICATION PER GS-12-095.



mat'l. code		surface <input checked="" type="checkbox"/> ISO 1302		tolerance <input checked="" type="checkbox"/> ISO 406		projection <input checked="" type="checkbox"/> ISO 1101		product family	
ltr		ecn no		dr		date		title	
AK								USB HPL511	
								UNIV. SERIAL BUS	
								DOUBLE DECK RECEPTACLE	
								dwg no	
								72309	
								sheet 2 of 4	
								size	
								A3	
								type	
								Product Customer Drawing	
sheet index		revision sheet		AK		1~4			



ASSEMBLY WITH BACK SHIELD  
72309 - XX4XX SHOWN

Amphenol FCI

© 2016 AFCI

mat'l. code		surface <input checked="" type="checkbox"/> ISO 1302		tolerance <input checked="" type="checkbox"/> ISO 406		projection <input checked="" type="checkbox"/> ISO 1101		product family	
ltr		ecn no		dr		date		title	
AK								UNIV. SERIAL BUS DOUBLE DECK RECEPTACLE	
				angles		linear		scale 1:1	
				0°±3°		.00±.10		Amphenol FCI	
				dr		Laurence.Zang 2017/03/17		dwg no	
				eng		Laurence.Zang 2017/03/17		sheet 3 of 4	
				chr		LQ Lei 2017/03/17		72309	
				app'd		Tim Yao 2017/03/17		A3	
sheet index		revision sheet		AK		1~4		type Product Customer Drawing	

PRODUCT NUMBER CODE

72309 - X X X X X P S LF

BASE PRODUCT NUMBER

HOUSING COLOR + SHELL PLATING OPTIONS

- 0 - WHITE + NICKEL & TIN LEAD PLATING
- 1 - BLACK + NICKEL & TIN LEAD PLATING
- 2 - WHITE + NICKEL PLATING ONLY
- 3 - BLACK + NICKEL PLATING ONLY
- 4 - WHITE + NICKEL PLATING ONLY + LCP HSG
- 5 - BLACK + NICKEL PLATING ONLY + LCP HSG
- 6 - BLACK + NICKEL & TIN LEAD PLATING + LCP HSG
- 7 - BLACK + NICKEL & BRIGHT TIN PLATING
- 8 - WHITE + NICKEL & BRIGHT TIN PLATING
- 9 - BLACK + NICKEL & BRIGHT TIN PLATING +LCP HSG
- A - BLACK + NICKEL & MATTE TIN PLATING +LCP HSG
- S - BLACK + NICKEL PLATING ONLY + LCP HSG

SHELL PLATING OPTION

- 0 - BARREL-PLATING
- 1 - PRE-PLATING

SHELL OPTIONS

- 1 - NO BACK SHIELD, NO ARMS, FRONT GROUNDING ARMS
- 2 - BACK SHIELD, NO FRONT GROUNDING ARMS
- 3 - NO BACK SHIELD, FRONT GROUNDING ARMS
- 4 - BACK SHIELD, FRONT GROUNDING ARMS

TERMINAL OPTION

- 3 - 50u" Ni UNDERPLATE,30u" GXT CONTACT AREA,100u" MATTE TIN TAIL AREA  
2.80mm TAIL LENGTH
- 4 - 50u" Ni UNDERPLATE,30u" GXT CONTACT AREA,100u" MATTE TIN TAIL AREA  
2.80mm TAIL LENGTH
- 5 - 50u" Ni UNDERPLATE,30u" GOLD CONTACT AREA,100u" MATTE TIN TAIL AREA  
3.94mm TAIL LENGTH

PACKAGING OPTIONS

- B - TUBES
- R - TAPE & REEL
- Q - SPECIAL TUBES (LENGTH 600MM MAX)

WITH DATE CODE

ONLY FOR PANASONIC

LEAD FREE MARK

LEAD FREE CONVERSION RULES -  
HOUSING COLOR AND SHELL PLATING OPTION: 0 TO 8, 1 TO 7, 6 TO 9  
TERMINAL PLATING OPTION: 0 TO 4, 2 TO 3  
SPECIFIC SHELL MATERIAL FOR 12K CYCLES DURABILITY,  
PART NUMBER: 72309-S033XPLF/-S034XPLF

NOTE:

AVAILABLE P/N'S IN FCI NOW FOLLOWED:

- 72309-0010X/8014XLF 72309-2010X/2014XLF
- 72309-0012X/8013XLF 72309-2012X/2013XLF
- 72309-0020X/8024XLF 72309-2020X/2024XLF
- 72309-0022X/8023XLF 72309-2022X/2023XLF
- 72309-0030X/8034XLF 72309-2030X/2034XLF
- 72309-0032X/8033XLF 72309-2032X/2033XLF
- 72309-0040X/8044XLF 72309-2040X/2044XLF
- 72309-0042X/8043XLF 72309-2042X/2043XLF
- 72309-1010X/7014XLF 72309-3010X/3014XLF
- 72309-1012X/7013XLF 72309-3012X/3013XLF
- 72309-1020X/7024XLF 72309-3020X/3024XLF
- 72309-1022X/7023XLF 72309-3022X/3023XLF
- 72309-1030X/7034XLF 72309-3030X/3034XLF
- 72309-1032X/7033XLF 72309-3032X/3033XLF
- 72309-1040X/7044XLF 72309-3040X/3044XLF
- 72309-1042X/7043XLF 72309-3042X/3043XLF
- 72309-0110X/8114XLF 72309-4040X/4044XLF
- 72309-0112X/8113XLF 72309-5012X/5013XLF
- 72309-0120X/8124XLF 72309-5030X/5034XLF
- 72309-0122X/8123XLF 72309-5040X/5044XLF/5044XSFL
- 72309-0130X/8134XLF 72309-5140X/5144XLF
- 72309-0132X/8133XLF 72309-6220X/9224XLF
- 72309-0140X/8144XLF 72309-A034XLF
- 72309-0142X/8143XLF 72309-3015XLF
- 72309-1110X/7114XLF 72309-3045XLF
- 72309-1112X/7113XLF 72309-S033XPLF
- 72309-1120X/7124XLF 72309-S034XPLF
- 72309-1122X/7123XLF
- 72309-1130X/7134XLF
- 72309-1132X/7133XLF
- 72309-1140X/7144XLF
- 72309-1142X/7143XLF

Amphenol FCI

© 2016 AFCI

mat'l. code		surface <input checked="" type="checkbox"/> tolerance <input checked="" type="checkbox"/>		projection <input checked="" type="checkbox"/>		product family	
		ISO 1302 <input checked="" type="checkbox"/> ISO 406 ISO 1101		1:1		USB HPL511	
ltr		ecn no		dr		date	
AK							
		tolerances unless otherwise specified		mm		title	
		angles linear		.0±.3		UNIV. SERIAL BUS	
		0±3°		.00±.20		DOUBLE DECK RECEPTACLE	
				.000±.10		scale 1:1	
		dr		Laurence.Zang		2017/03/17	
		eng		Laurence.Zang		2017/03/17	
		chr		LQ Lei		2017/03/17	
		appd		Tim Yao		2017/03/17	
sheet index		revision sheet		AK 1~4		type Product Customer Drawing	