



Chipsmall Limited consists of a professional team with an average of over 10 year of expertise in the distribution of electronic components. Based in Hongkong, we have already established firm and mutual-benefit business relationships with customers from,Europe,America and south Asia,supplying obsolete and hard-to-find components to meet their specific needs.

With the principle of “Quality Parts,Customers Priority,Honest Operation,and Considerate Service”,our business mainly focus on the distribution of electronic components. Line cards we deal with include Microchip,ALPS,ROHM,Xilinx,Pulse,ON,Everlight and Freescale. Main products comprise IC,Modules,Potentiometer,IC Socket,Relay,Connector.Our parts cover such applications as commercial,industrial, and automotives areas.

We are looking forward to setting up business relationship with you and hope to provide you with the best service and solution. Let us make a better world for our industry!



## Contact us

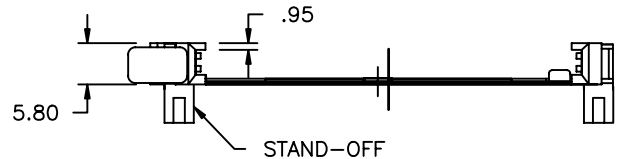
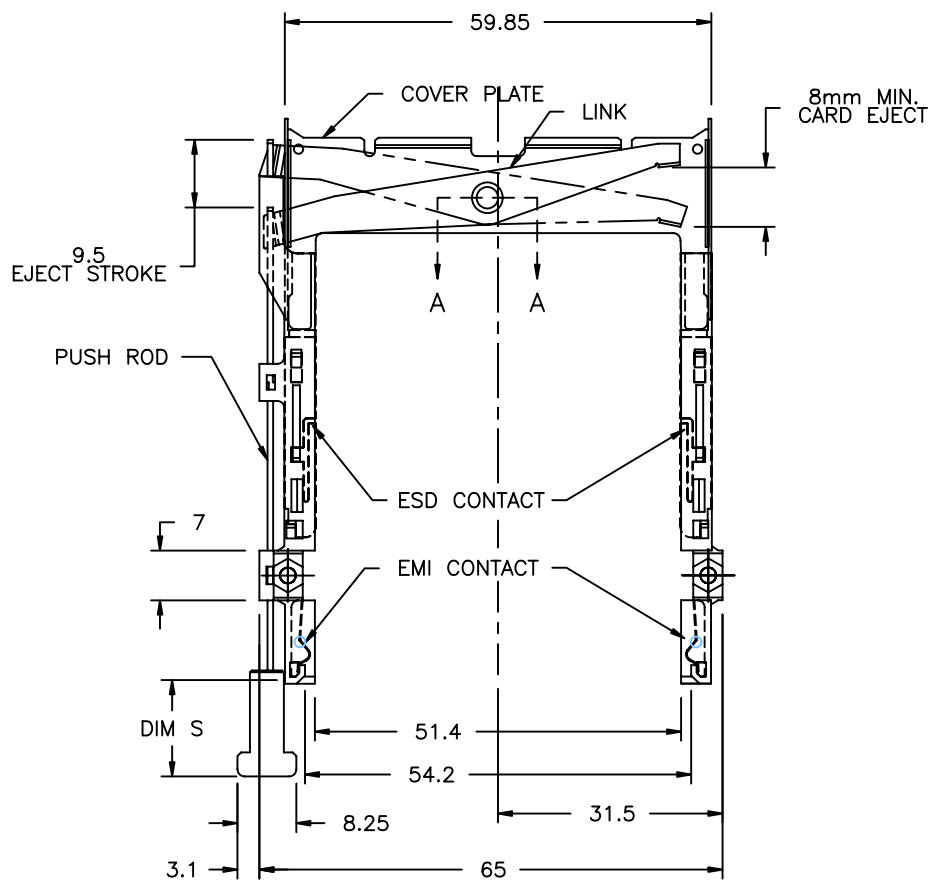
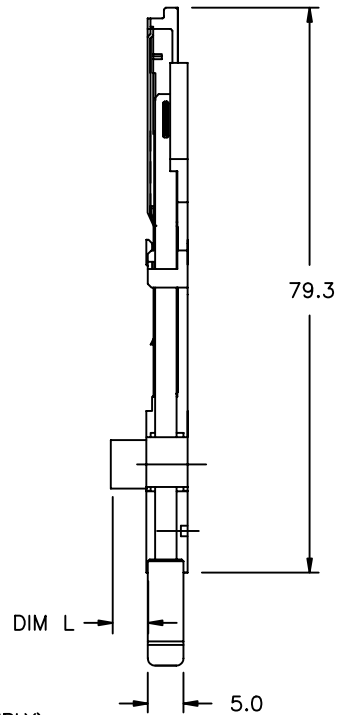
Tel: +86-755-8981 8866 Fax: +86-755-8427 6832

Email & Skype: info@chipsmall.com Web: www.chipsmall.com

Address: A1208, Overseas Decoration Building, #122 Zhenhua RD., Futian, Shenzhen, China

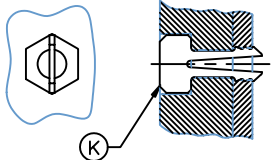


PRODUCT NO. NOTE ①		DIM L	DIM S
72336-100CA	72336-100CALF	0	13
72336-122CA	72336-122CALF	2.2	
72336-143CA	72336-143CALF	4.3	
72336-150CA	72336-150CALF	5	15.6
72336-100DA	72336-100DALF	0	
72336-122DA	72336-122DALF	2.2	
72336-143DA	72336-143DALF	4.3	21
72336-150DA	72336-150DALF	5	
72336-100FA	72336-100FALF	0	
72336-122FA	72336-122FALF	2.2	
72336-143FA	72336-143FALF	4.3	
72336-150FA	72336-150FALF	5	



NOTES:

① ADD "H" TO PART NUMBER FOR OPTIONAL HOLD DOWN (2 PER ASSEMBLY).



2. LINK TO MOVE ALONG INSIDE WALL OF COVER PLATE SMOOTHLY AFTER ASSEMBLING WITH HEADER.

3. MATERIAL:  
 PLASTIC GUIDES: POLYPHTHARAMIDE UL94V-0  
 COLOR: BLACK  
 COVER PLATE: STAINLESS STEEL  
 EMI CONTACT: PHOSPHOR BRONZE

4. FINISH:  
 EMI CONTACT: CONTACT AREA: 0.5um Au  
 UNDER PLATING: 2.0um Ni

5. RECOMMENDED SCREW TORQUE:  
 1.0-1.5 MAX IN-LBS(1.2-1.7 CM-KGS)

mat'l. code		surface	tolerance	projection	product family
		ISO 1302	ISO 406 ISO 1101		PCMCIA
ltr	ecn no	dr	date	tolerances unless otherwise specified	
C	T70090	RHG	4/28/97	angles	title
D	V12231	TFG	9/19/01	linear	NARROW BODY FRONT EJECT
E	N06-0188	MZ	07/12/06	±2'	CARDBUS MECHANISM ASSEMBLY
F	N08-0060	MZ	6/20/08	dr	dwg no
				enr	sheet 1 of 3 size
				chr	72336
				appd	A4
					type CUSTOMER Drawing
sheet	revision	F	F	F	
index	sheet	1	2	3	

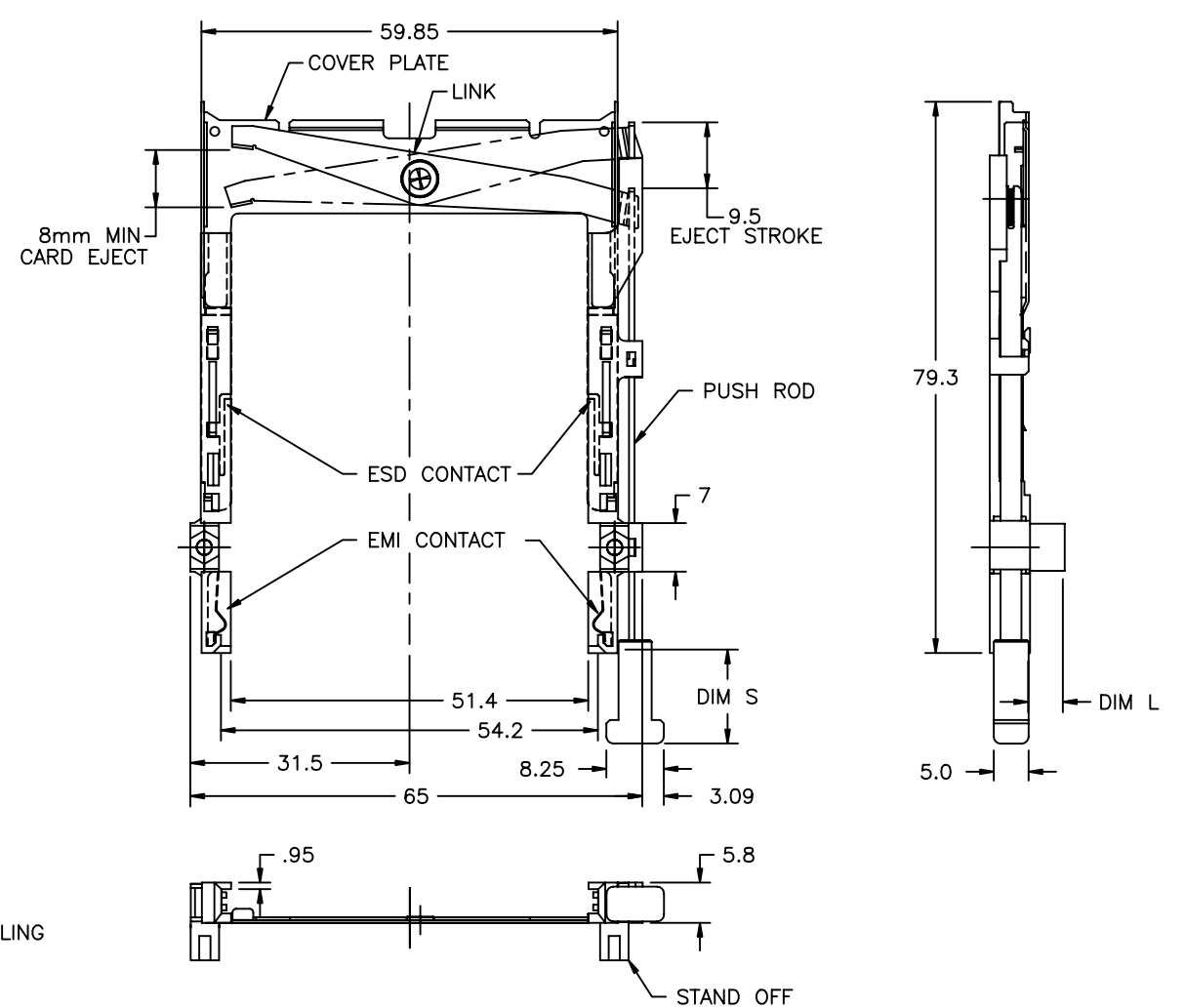
FCI CONFIDENTIAL

FCI

This document is the property of and embodies CONFIDENTIAL and PROPRIETARY information of FCI. No part of the information shown on this document may be used in any way or disclosed to others without the written consent of FCI. Copyright FCI.

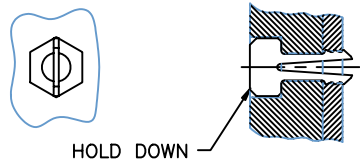
1 | 2 | 3 | 4 | 5 | 6

PRODUCT NO. NOTE ①		DIM L	DIM S
72336-000CA	72336-000CALF	0	13
72336-022CA	72336-022CALF	2.2	
72336-043CA	72336-043CALF	4.3	
72336-050CA	72336-050CALF	5	15.6
72336-000DA	72336-000DALF	0	
72336-022DA	72336-022DALF	2.2	
72336-043DA	72336-043DALF	4.3	
72336-050DA	72336-050DALF	5	
72336-000FA	72336-000FALF	0	21
72336-022FA	72336-022FALF	2.2	
72336-043FA	72336-043FALF	4.3	
72336-050FA	72336-050FALF	5	



NOTES:

① ADD "H" TO PART NUMBER FOR OPTIONAL HOLD DOWN (2 PER ASSEMBLY).

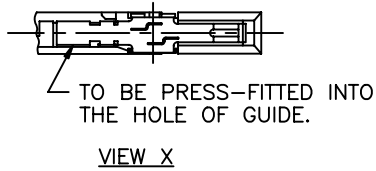


- LINK TO MOVE ALONG INSIDE WALL OF COVER PLATE SMOOTHLY AFTER ASSEMBLING WITH HEADER.
- MATERIAL:  
PLASTIC GUIDES: POLYPHTHARAMIDE UL94V-0  
COLOR: BLACK  
COVER PLATE: STAINLESS STEEL  
EMI CONTACT: PHOSPHOR BRONZE
- FINISH:  
EMI CONTACT: CONTACT AREA: 0.5um Au  
UNDER PLATING: 2.0um Ni
- RECOMMENDED SCREW TORQUE:  
1.0-1.5 MAX IN-LBS(1.2-1.7 CM-KGS)

mat'l. code		surface	tolerance	projection	product family
		ISO 1302	ISO 406 ISO 1101		PCMCIA
ltr	ecn no	dr	date	title	
F				NARROW BODY FRONT EJECT CARDBUS MECHANISM ASSEMBLY	
		angles	linear	tolerances unless otherwise specified	scale
		±2'	.X±.3 .XX±.13 .XXX±.051	MM	
		dr	Mike Zhou	07/11/06	
		enr	Mike Zhou	07/11/06	
		chr	Qin David	07/11/06	
		appd	Jack Wang	07/11/06	
sheet	revision	dwg no			
index	sheet	72336			
		type			sheet 2of 3 size
		CUSTOMER			A4
		Drawing			

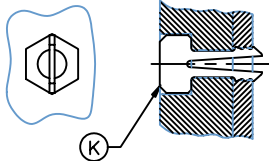


NOTE ①	PRODUCT NO.	① STAND-OFF PART NUM.	DIM L	DIM S	④ BUTTON PART NUM.	DIM M
72336-101CA	72336-100CALF	NONE	0	28.0	52211-002	103.05
72336-151CA	72336-150CALF	92706-005	5			



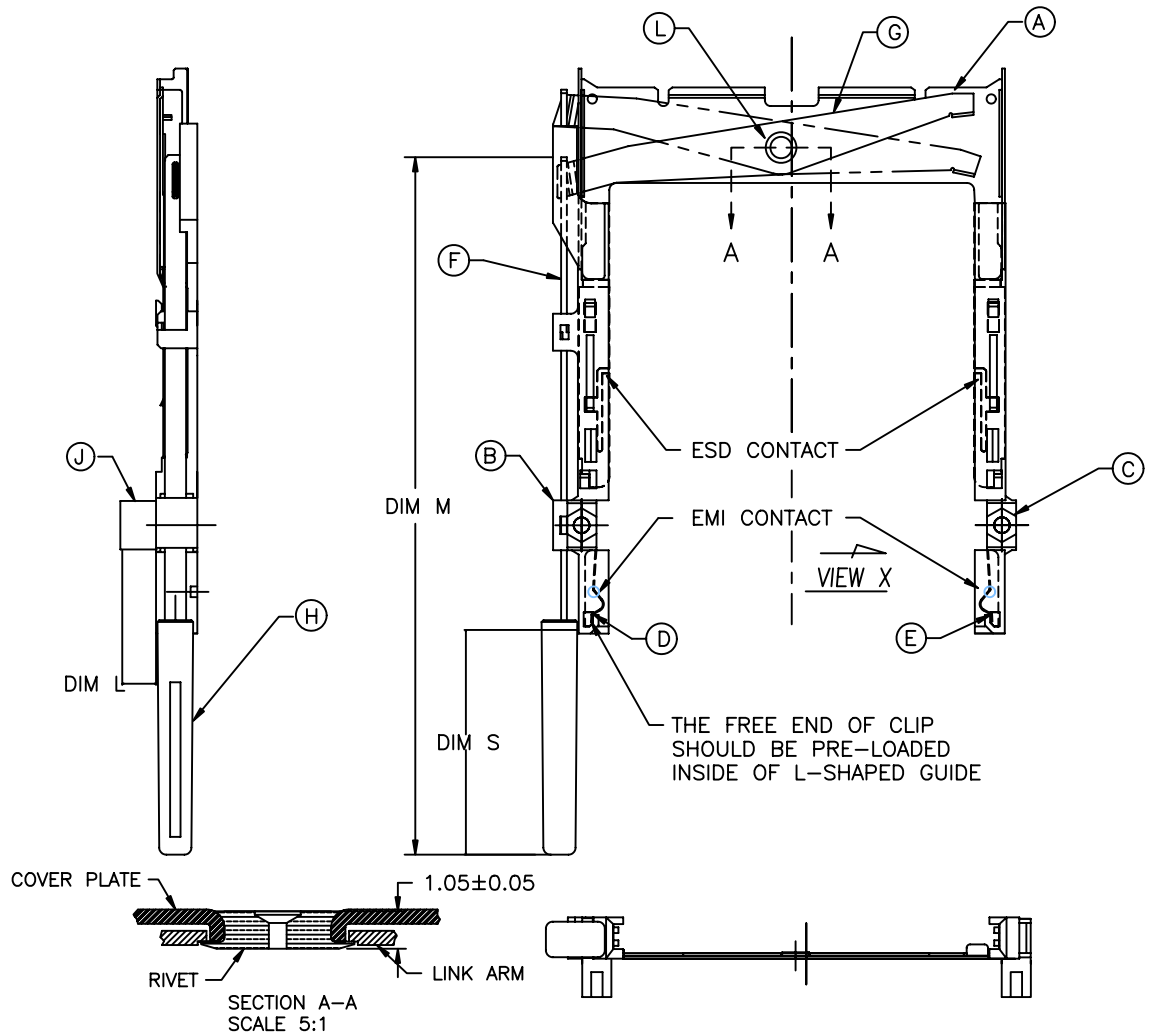
NOTES:

① ADD "H" TO PART NUMBER FOR OPTIONAL HOLD DOWN (2 PER ASSEMBLY).



PART NO.	STAND-OFF
93925-001	0mm
93925-002	2.2mm
93925-003	4.3mm
93925-004	5mm

2. PACKAGING SPECIFICATION: GS-14-382



①	DESCRIPTION	P/N	Q'TY
①	RIVET	61723-002	1
②	HOLD-DOWN	SEE NOTE 1	2
③	STAND-OFF	SEE TABLE ABOVE	2
④	BUTTON	SEE TABLE ABOVE	1
⑤	LINK ARM	72227-001	1
⑥	PUSH ROD	95081-001	1
⑦	CLIP RIGHT	94836-110M	1
⑧	CLIP LEFT	94837-110M	1
⑨	RIGHT GUIDE	71731-002	1
⑩	LEFT GUIDE	71730-001	1
⑪	COVER PLATE	72228-001	1

No. DESCRIPTION P/N Q'TY

72336-1XXXX

mat'l. code		surface	tolerance	projection	product family
		ISO 1302	ISO 406 ISO 1101		PCMCIA
ltr	ecn no	dr	date	tolerances unless otherwise specified	title
F				.X±.3 .XX±.13 .XXX±.051	NARROW BODY FRONT EJECT CARDBUS MECHANISM ASSEMBLY
				linear	MM
				±2'	scale 1: 1
		dr	Mike Zhou	07/11/06	dwg no
		enr	Mike Zhou	07/11/06	sheet 3of 3 size
		chr	Qin David	07/11/06	72336
		appd	Jack Wang	07/11/06	A4
					type CUSTOMER Drawing
sheet	revision				
index	sheet				

This document is the property of and embodies CONFIDENTIAL and PROPRIETARY information of FCI. No part of the information shown on this document may be used in any way or disclosed to others without the written consent of FCI. Copyright FCI.

FCIconnect.com