



Chipsmall Limited consists of a professional team with an average of over 10 year of expertise in the distribution of electronic components. Based in Hongkong, we have already established firm and mutual-benefit business relationships with customers from,Europe,America and south Asia,supplying obsolete and hard-to-find components to meet their specific needs.

With the principle of "Quality Parts,Customers Priority,Honest Operation,and Considerate Service",our business mainly focus on the distribution of electronic components. Line cards we deal with include Microchip,ALPS,ROHM,Xilinx,Pulse,ON,Everlight and Freescale. Main products comprise IC,Modules,Potentiometer,IC Socket,Relay,Connector.Our parts cover such applications as commercial,industrial, and automotives areas.

We are looking forward to setting up business relationship with you and hope to provide you with the best service and solution. Let us make a better world for our industry!



Contact us

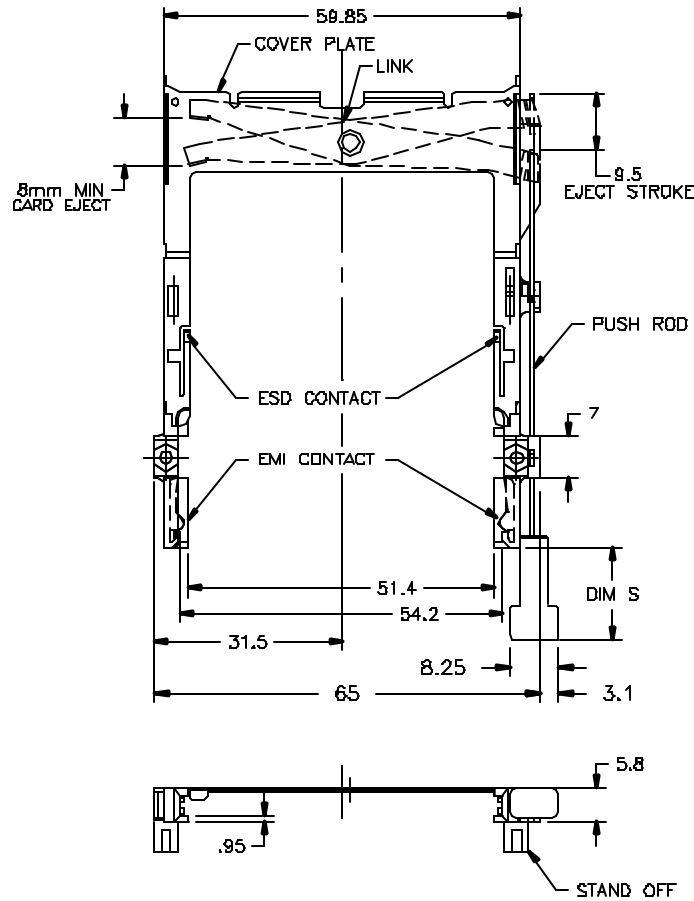
Tel: +86-755-8981 8866 Fax: +86-755-8427 6832

Email & Skype: info@chipsmall.com Web: www.chipsmall.com

Address: A1208, Overseas Decoration Building, #122 Zhenhua RD., Futian, Shenzhen, China

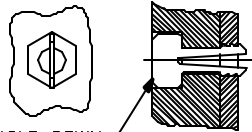


PRODUCT NO. NOTE ①	DIM L	DIM S
72337-0DDCA	0	13
72337-02DCA	2	
72337-022CA	2.2	
72337-04DCA	4	
72337-043CA	4.3	
72337-050CA	5	15.6
72337-0DDDA	0	
72337-02DDA	2	
72337-022DA	2.2	
72337-04DDA	4	
72337-043DA	4.3	21
72337-05DDA	5	
72337-000FA	0	
72337-020FA	2	
72337-022FA	2.2	
72337-04DFA	4	
72337-043FA	4.3	
72337-05DFA	5	



NOTES:

① ADD "H" TO PART NUMBER FOR OPTIONAL HOLD DOWN (2 PER ASSEMBLY).



HOLD DOWN

- LINK TO MOVE ALONG INSIDE WALL OF COVER PLATE SMOOTHLY AFTER ASSEMBLING WITH HEADER.
- MATERIAL:
PLASTIC GUIDES: POLYPHTHARAMIDE UL94V-0
COLOR: BLACK
COVER PLATE: STAINLESS STEEL
EMI CONTACT: PHOSPHOR BRONZE
- FINISH:
EMI CONTACT: CONTACT AREA: 0.5um Au
UNDER PLATING: 2.0um Ni
- RECOMMENDED SCREW TORQUE:
1.0-1.5 MAX IN-LBS(1.2-1.7 CM-KGS)

mat'l. code		tolerances unless otherwise specified		CUSTOMER COPY	FCI Electronics www.fciconnect.com		
ltr	ecn no	dr	date	linear	projection	title	
A	V81135	RHG	8/9/98	.X±.3	MM	NARROW BODY FRONT EJECT MECHANISM ASSEMBLY TYPE 123	
B	T7DD9D	RHG	4/28/97	.XX±.13			
C	V12231	TFG	8/18/01	.XXX±.051			
				angles	scale	product family	
				dr	1:1	MCA	
				enr		code	
				chr		sheet	
				app		1 of 2	
sheet index	revision sheet	C	C				
		1	2				

cage code
22526

ACAD

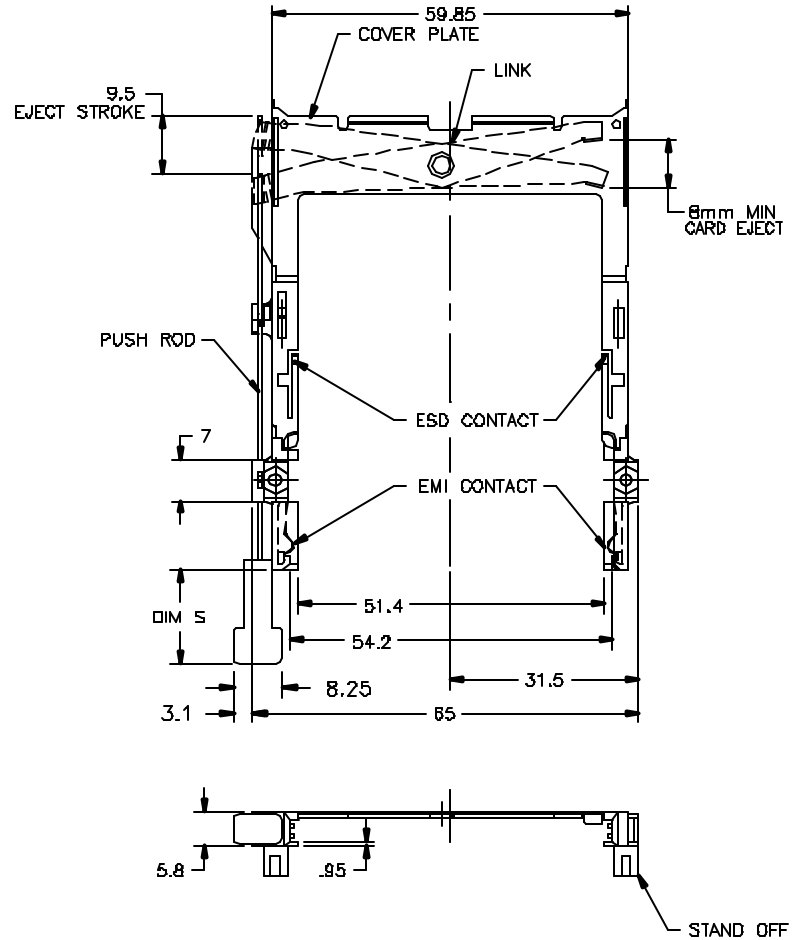
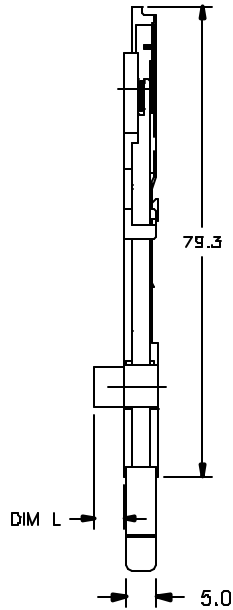
Tous droits strictement reserves. Reproduction ou communication a des tiers interdite sans aucune forme que ce soit sans autorisation écrite du propriétaire. Propriete de c FCI. Droits de reproduction FCI.

All rights strictly reserved. Reproduction or issue to third parties in any form whatever is not permitted without written authority from the proprietor. Property of FCI. Copyright FCI.

Tous droits strictement réservés. Reproduction ou communication à des tiers interdite sans aucune forme que ce soit sans autorisation écrite du propriétaire. Propriété de c FCI. Droits de reproduction FCI.

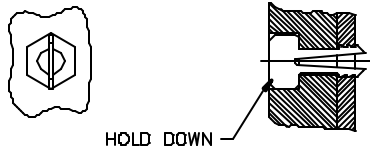
All rights strictly reserved. Reproduction or issue to third parties in any form whatever is not permitted without written authority from the proprietor. Property of FCI. Copyright FCI.

PRODUCT NO. NOTE ①	DIM L	DIM S
72337-10DCA	0	13
72337-12DCA	2	
72337-122CA	2.2	
72337-14DCA	4	
72337-143CA	4.3	
72337-150CA	5	15.8
72337-10DDA	0	
72337-12DDA	2	
72337-122DA	2.2	
72337-14DDA	4	
72337-143DA	4.3	
72337-15DDA	5	21
72337-10DFA	0	
72337-12DFA	2	
72337-122FA	2.2	
72337-14DFA	4	
72337-143FA	4.3	
72337-15DFA	5	



NOTES:

① ADD "H" TO PART NUMBER FOR OPTIONAL HOLD DOWN (2 PER ASSEMBLY).



- LINK TO MOVE ALONG INSIDE WALL OF COVER PLATE SMOOTHLY AFTER ASSEMBLING WITH HEADER.
- MATERIAL:
PLASTIC GLIDES: POLYPHTHARAMIDE UL94V-0
COLOR: BLACK
COVER PLATE: STAINLESS STEEL
EMI CONTACT: PHOSPHOR BRONZE
- FINISH:
EMI CONTACT: CONTACT AREA: 0.5um Au
UNDER PLATING: 2.0um Ni
- RECOMMENDED SCREW TORQUE:
1.0-1.5 MAX IN-LBS(1.2-1.7 CM-KGS)

mat'l. code		tolerances unless otherwise specified		CUSTOMER COPY	FCI Electronics www.fciconnect.com	
ltr	ecn no	dr	date	linear	projection	title
C				.X±.3		NARROW BODY FRONT EJECT MECHANISM ASSEMBLY TYPE 123
				.XX±.13		product family
				angles		code
				.XXX±.051		size
				dr	MM	72337
				enr	J.SPICKLER 5/30/98	sheet
				chr	J.SPICKLER 5/30/98	2 of
				appd	J.SPICKLER 5/30/98	scale
					1:1	A4
sheet index	revision sheet					

cage code
22526