



Chipsmall Limited consists of a professional team with an average of over 10 year of expertise in the distribution of electronic components. Based in Hongkong, we have already established firm and mutual-benefit business relationships with customers from,Europe,America and south Asia,supplying obsolete and hard-to-find components to meet their specific needs.

With the principle of “Quality Parts,Customers Priority,Honest Operation,and Considerate Service”,our business mainly focus on the distribution of electronic components. Line cards we deal with include Microchip,ALPS,ROHM,Xilinx,Pulse,ON,Everlight and Freescale. Main products comprise IC,Modules,Potentiometer,IC Socket,Relay,Connector.Our parts cover such applications as commercial,industrial, and automotives areas.

We are looking forward to setting up business relationship with you and hope to provide you with the best service and solution. Let us make a better world for our industry!



Contact us

Tel: +86-755-8981 8866 Fax: +86-755-8427 6832

Email & Skype: info@chipsmall.com Web: www.chipsmall.com

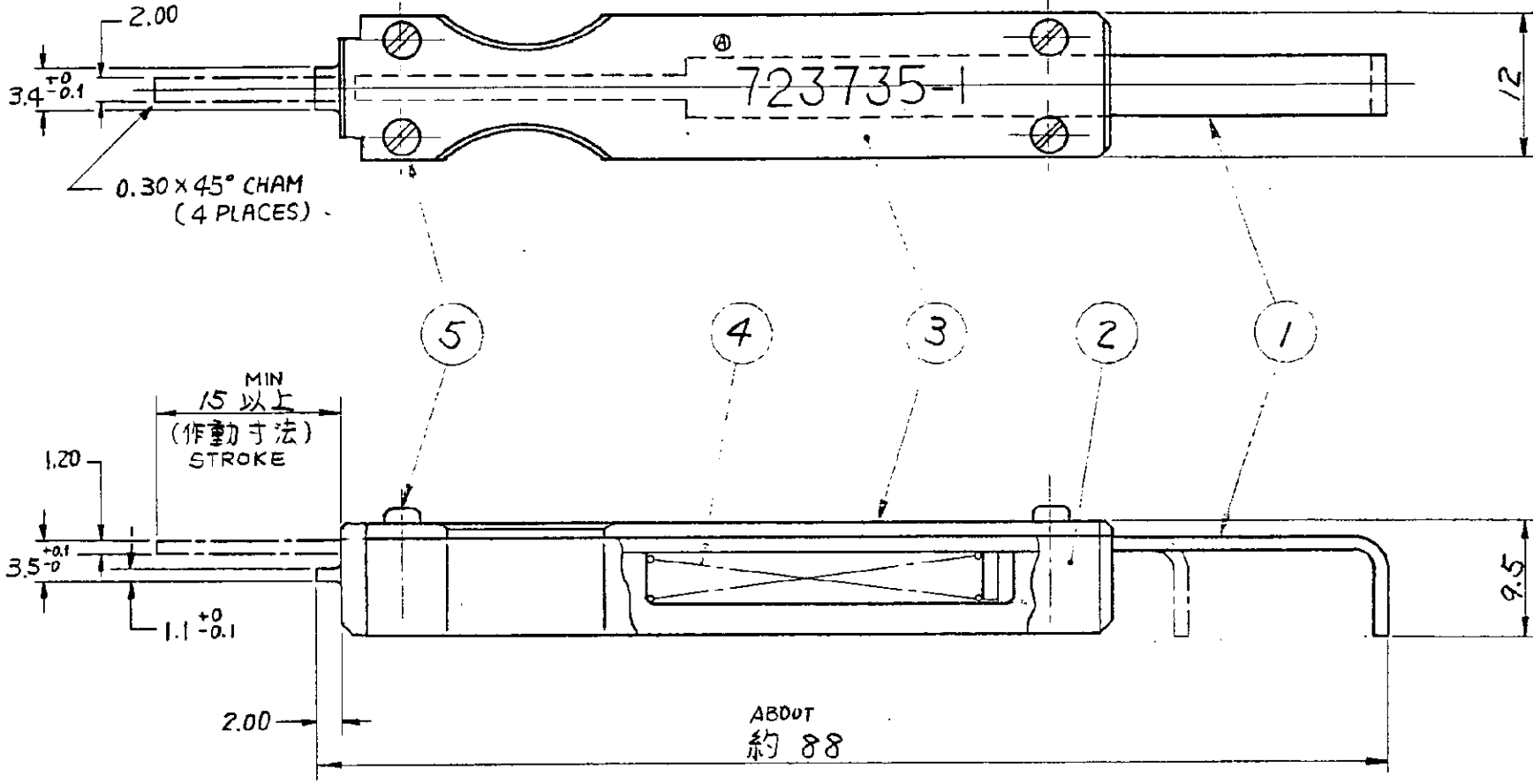
Address: A1208, Overseas Decoration Building, #122 Zhenhua RD., Futian, Shenzhen, China



4
第三角投影法 (THIRD ANGLE PROJECTION)

© 1979 日本エー・エム・ピー株式会社
AMP (JAPAN) LTD. ALL RIGHTS RESERVED. AMP PRODUCTS COVERED BY PATENTS AND/OR PATENTS PENDING.

-1: 本図
-1: AS SHOWN



TERM. NO. 適用端子番号 170189-1
HOUSING NO. 適用ハウジング番号 171358-4
INSTRUCTION SHEET NO. 取扱説明書番号 IS-089J

5	ネジ SCREW	M1.6 x 0.35 P x 6L	4	市販品 (COMMERCIAL PARTS)
4	スプリング SPRING	外径 4φ 線径 0.4φ 自由長 30 巻数 16	1	市販品 "
3	カバープレート COVER PLATE		1	723738
2	ブロック BLOCK		1	723737
1	プッシャー PUSHER		1	723736

B	REVISED	FJ00-8618-8T.A	1/19/85
A	REVISED	J-11320 J4 J4	3/27/84
01	ECN	J82-6686 J4 J4	8/18/82
0	RELEASED	M.T. KH	3/22/80

ITEM 品名 (NAME)	数量	番号 (NUMBER)
MATERIAL	TOLERANCE EXCEPT AS NOTED ±	
FINISH	DR. M. TOKUHO 3/20/78 CHK. K. Iijima 4/20/78 DE. APP. 3/23/78	
AMP AMP (JAPAN), LTD. Tokyo, Japan		
EXTRACTION TOOL FOR MULTI INTERLOCK CONN. マルチインターロックコネクタ用引抜工具		
SIZE B	LOC J	番号 (NO) C-723735
SCALE 2-1	REV. B	SHEET 1 OF 1