



Chipsmall Limited consists of a professional team with an average of over 10 year of expertise in the distribution of electronic components. Based in Hongkong, we have already established firm and mutual-benefit business relationships with customers from,Europe,America and south Asia,supplying obsolete and hard-to-find components to meet their specific needs.

With the principle of “Quality Parts,Customers Priority,Honest Operation,and Considerate Service”,our business mainly focus on the distribution of electronic components. Line cards we deal with include Microchip,ALPS,ROHM,Xilinx,Pulse,ON,Everlight and Freescale. Main products comprise IC,Modules,Potentiometer,IC Socket,Relay,Connector.Our parts cover such applications as commercial,industrial, and automotives areas.

We are looking forward to setting up business relationship with you and hope to provide you with the best service and solution. Let us make a better world for our industry!



Contact us

Tel: +86-755-8981 8866 Fax: +86-755-8427 6832

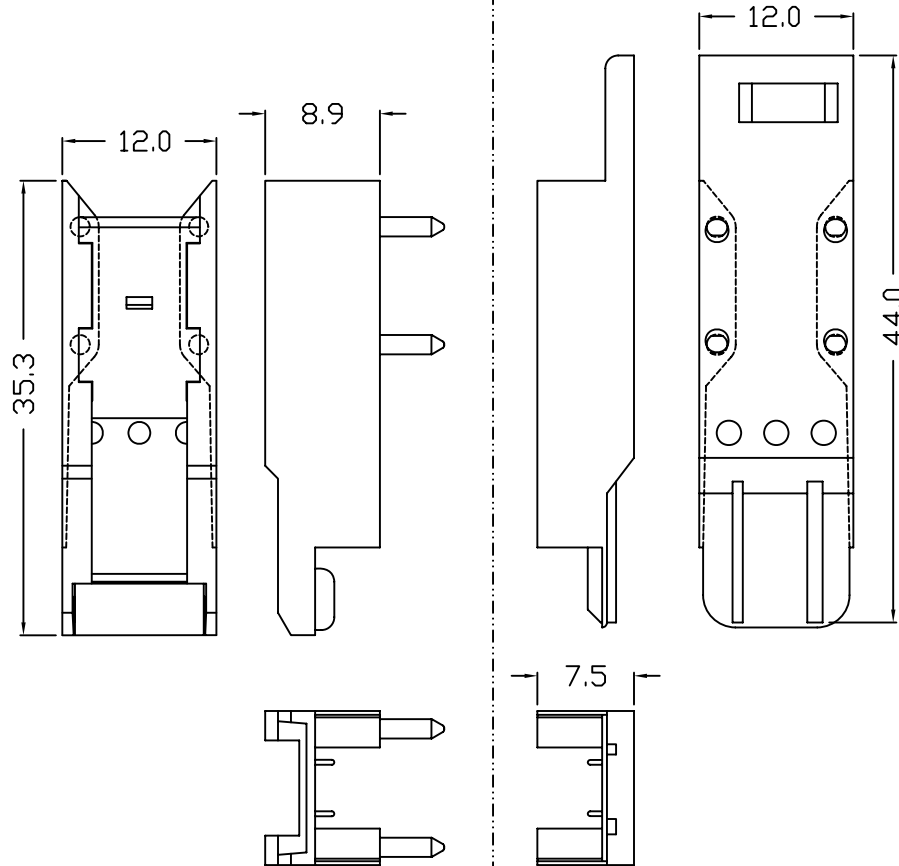
Email & Skype: info@chipsmall.com Web: www.chipsmall.com

Address: A1208, Overseas Decoration Building, #122 Zhenhua RD., Futian, Shenzhen, China



PRODUCT NO.
72390-0021 SEE NOTE 5

PRODUCT NO.
72390-0011 SEE NOTE 5



NOTES:

1. SEE APPLICATION SPECIFICATION, GS-20-003, FOR INSTRUCTION ON WIRE INSERTION AND ASSEMBLY OF COMPONENTS FOR CONNECTOR USING THESE COVERS.
2. MATERIAL:
GLASS FILLED 612 POLYAMIDE.
3. THE PRODUCTS WHERE THE PART NUMBER ENDS IN LF MEET THE EUROPEAN UNION DIRECTIVES AND OTHER COUNTRY REGULATIONS AS DESCRIBED IN GS-22-008.
4. THESE PRODUCTS LISTED ON THIS DRAWING WILL NOT WITHSTAND WAVE SOLDER OR REFLOW OPERATIONS.
5. FOR LEAD FREE PART NUMBERS, ADD AN 'LF' SUFFIX. EXAMPLE 72390-0011LF.

mat'l. code		surface		tolerance		projection		product family	
SEE NOTES		ASME Y14.5		ASME Y14.5				METRAL CABLE	
ltr	ec'n no	dr	date	tolerances unless otherwise specified		MM		title	
A	V71561	JRV	11/6/97	angles	Xx10			5 X 6 COVERS	
B	V12694	LSS	11/16/01	linear	XXx.05			5 - ROW METRAL	
C	V05-0594	VS	08/08/05	0° ±2'	XXXx.02	scale 1:1		UNSHIELDED CABLE CONNECTOR	
D	V06-0613	JRV	2006-06-22	dr	J.R.VOLSTROF	11/06/97		dwg no	
				engr	J.R.VOLSTROF	11/06/97		sheet 1 of 1	
				chr	J.R.VOLSTROF	11/06/97		size	
				appd	J.R.VOLSTROF	11/06/97		A4	
sheet index		revision sheet	D					type	
		1						CUSTOMER Drawing	