



Chipsmall Limited consists of a professional team with an average of over 10 year of expertise in the distribution of electronic components. Based in Hongkong, we have already established firm and mutual-benefit business relationships with customers from,Europe,America and south Asia,supplying obsolete and hard-to-find components to meet their specific needs.

With the principle of “Quality Parts,Customers Priority,Honest Operation,and Considerate Service”,our business mainly focus on the distribution of electronic components. Line cards we deal with include Microchip,ALPS,ROHM,Xilinx,Pulse,ON,Everlight and Freescale. Main products comprise IC,Modules,Potentiometer,IC Socket,Relay,Connector.Our parts cover such applications as commercial,industrial, and automotives areas.

We are looking forward to setting up business relationship with you and hope to provide you with the best service and solution. Let us make a better world for our industry!



Contact us

Tel: +86-755-8981 8866 Fax: +86-755-8427 6832

Email & Skype: info@chipsmall.com Web: www.chipsmall.com

Address: A1208, Overseas Decoration Building, #122 Zhenhua RD., Futian, Shenzhen, China





AMP* EXTRACTION TOOL P/N724659-1/-2/-5
 FOR EXTRACTING POSITIVE LOCK
 CONNECTOR CONTACTS
 INSTRUCTION SHEET

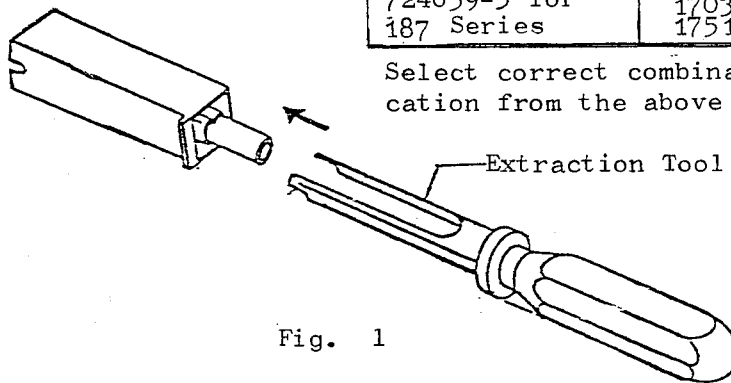
411-5106 (Was IS-106J)	
Released	11-22-79
Rev. B1	3-29-95

FJ00-2262-95

Tool-Contact-Housing Selection Chart:

Tool Part No. & Contact Series	Contact Part No.		Housing P/N
724659-1 for 187 Series	170324	170330	172074
	170325	170331	172075
	170326	170332	
724659-2 for 250 Series	170327	170333	172076
	170328	170334	
	170329	170335	172320
	170452	170453	
	170454	170455	
	170456	170457	
724659-5 for 187 Series	170324 170325 175179		179182 176448 179183 173974

187 Series & 250 Series



Select correct combination of part number application from the above chart.

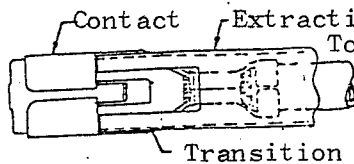


Fig. 2

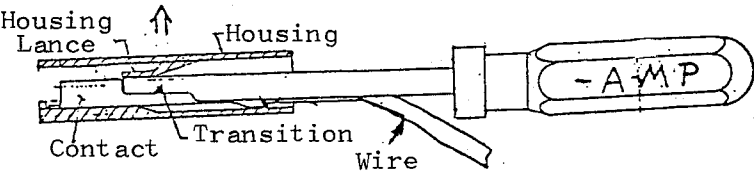


Fig. 3

INTRODUCTION:

This tool has been designed to extract contacts from AMP Positive Lock Connector Housing. Read this instruction sheet carefully before you start operation.

2. EXTRACTION PROCEDURE:

- (a) Insert tip ends of the tool into housing from the wire side of housing, until they reach the contact feeling lightly. At this moment, the tip ends must rest on the transition area of contact. Refer to Fig. 1 and Fig. 2.

- (b) With the tip ends resting on the transition of the contact, move up to release housing lance, so that the contact can be pulled out as you withdraw the tool with the contact. Refer to Fig. 3.
- (c) When the contact can not be pulled out, avoid pulling back forcibly. Repeat the procedure (a) and (b), and make sure that the housing lance is unlocked, then you can remove contact from housing.

3. REMARKS:

Do not use the tool for the purpose other than designated.