



Chipsmall Limited consists of a professional team with an average of over 10 year of expertise in the distribution of electronic components. Based in Hongkong, we have already established firm and mutual-benefit business relationships with customers from,Europe,America and south Asia,supplying obsolete and hard-to-find components to meet their specific needs.

With the principle of “Quality Parts,Customers Priority,Honest Operation,and Considerate Service”,our business mainly focus on the distribution of electronic components. Line cards we deal with include Microchip,ALPS,ROHM,Xilinx,Pulse,ON,Everlight and Freescale. Main products comprise IC,Modules,Potentiometer,IC Socket,Relay,Connector.Our parts cover such applications as commercial,industrial, and automotives areas.

We are looking forward to setting up business relationship with you and hope to provide you with the best service and solution. Let us make a better world for our industry!



Contact us

Tel: +86-755-8981 8866 Fax: +86-755-8427 6832

Email & Skype: info@chipsmall.com Web: www.chipsmall.com

Address: A1208, Overseas Decoration Building, #122 Zhenhua RD., Futian, Shenzhen, China



PING))) Protector Stand (#725-28015)

The PING))) Protector Stand is a precision machined mounting bracket cut from 1/4 inch thick high-grade aluminum. With easy installation this stand can gracefully attach your PING))) Ultrasonic Distance Sensor to your robot and protect the sensor from most collisions. Note: PING))) Ultrasonic Distance Sensor (#28015) not included.



Features

- Designed to protect your PING))) Ultrasonic Distance Sensor from damage
- Custom CNC-machined from 6061 high-grade aluminum at Parallax headquarters in Rocklin, CA.
- Aperture and plastic light pipe included to allow for visual check of sensor function while mounted to stand.
- Two 6-32 (0.144 inch Dia.) un-threaded mounting holes
- Dimensions: 1.95 in x 2.20 in x 0.25 in (11.43 mm x 55.88 mm x 6.35 mm)

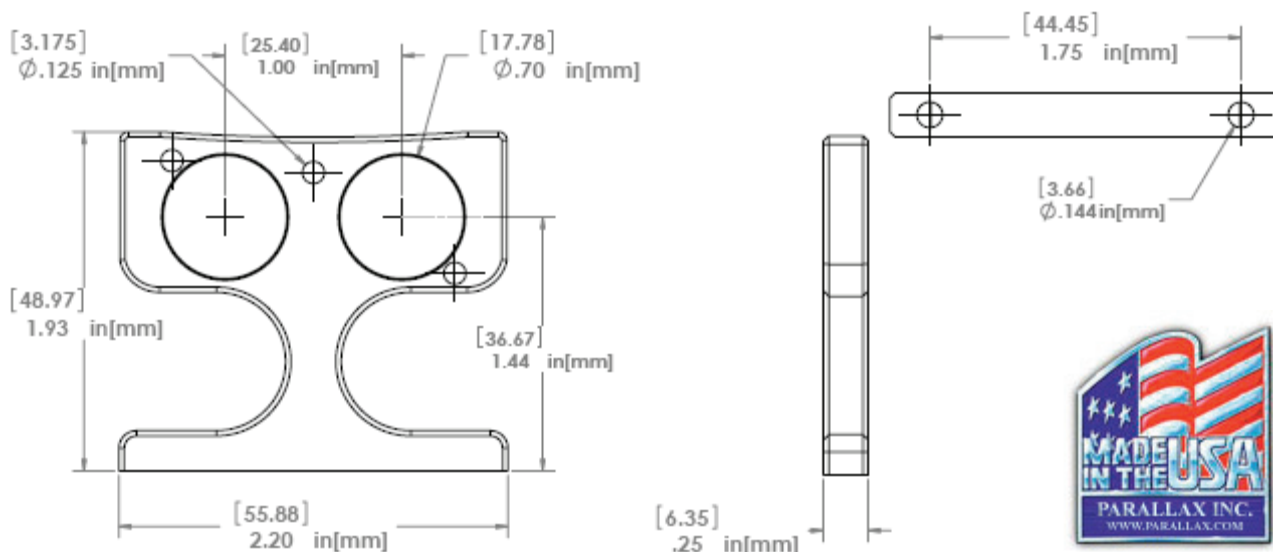
Bill of Materials

- (2) Philips pan-head screws, 4-40, 1/2" (#710-00006)
- (2) Nylon washers, size #4 (#700-00015)
- (2) Nylon spacers, round, #4, 1/4" (#713-00005)
- Plastic light pipe (#720-28001)
- Aluminum Protector Stand (#720-28002)

Tools Required

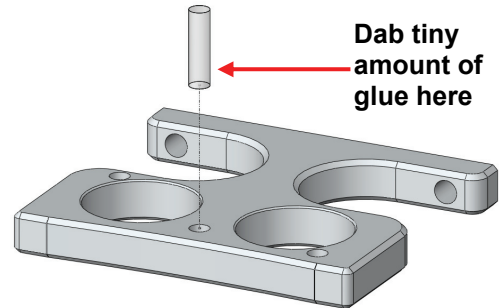
- #1 Philips-head screwdriver
- (2) 6-32 screws for mounting to your platform
- glue (such as Elmer's)
- Masking or electrical tape (optional)

Dimensional Drawings

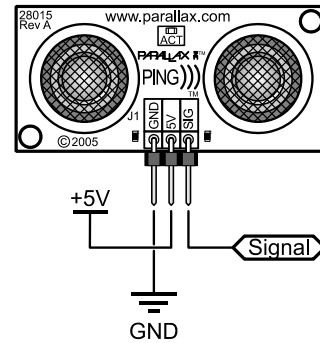


Step 1: Place stand on a flat surface with tapped holes facing up. Place a tiny dab of glue on the side (not the flat end) of the light pipe, about a quarter of the way up from the end. Insert light pipe into the hole so that its end is flush with the stand front. The light pipe will project a little less than 1/4" from the back of the stand.

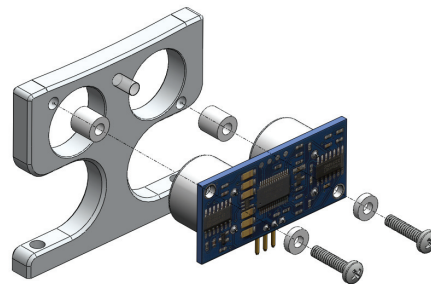
Note: at this point, you may wish to cover the sides of the exposed portion of the light pipe with tape to further direct the LEDs light.



Step 2: Make a note of the PING))) sensor pin connections labeled on the front of the PCB. They will not be visible once the sensor is installed into the stand.



Step 3: Install the PING))) sensor as shown using (2) nylon spacers, (2) 1/2" screws, and (2) nylon washers (included).



Step 4: Mount the PING))) Protector Stand and Sensor to your robot. Two holes in the base of the stand are drilled to accommodate size 6-32 screws (not included).

