



Chipsmall Limited consists of a professional team with an average of over 10 year of expertise in the distribution of electronic components. Based in Hongkong, we have already established firm and mutual-benefit business relationships with customers from,Europe,America and south Asia,supplying obsolete and hard-to-find components to meet their specific needs.

With the principle of “Quality Parts,Customers Priority,Honest Operation,and Considerate Service”,our business mainly focus on the distribution of electronic components. Line cards we deal with include Microchip,ALPS,ROHM,Xilinx,Pulse,ON,Everlight and Freescale. Main products comprise IC,Modules,Potentiometer,IC Socket,Relay,Connector.Our parts cover such applications as commercial,industrial, and automotives areas.

We are looking forward to setting up business relationship with you and hope to provide you with the best service and solution. Let us make a better world for our industry!



Contact us

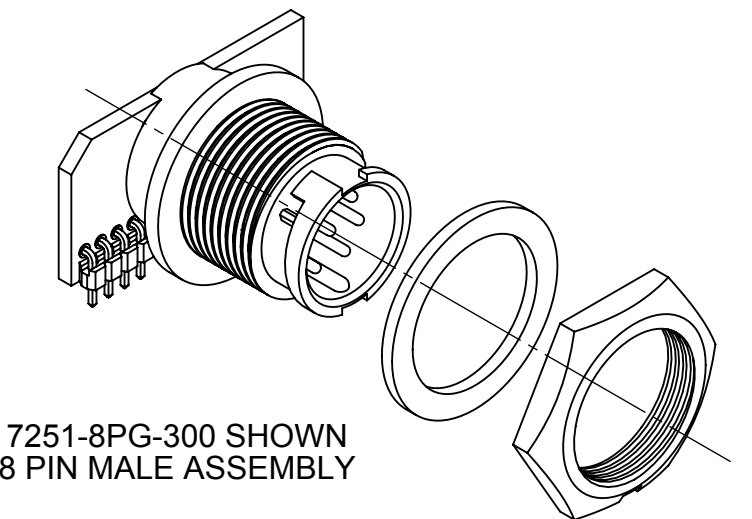
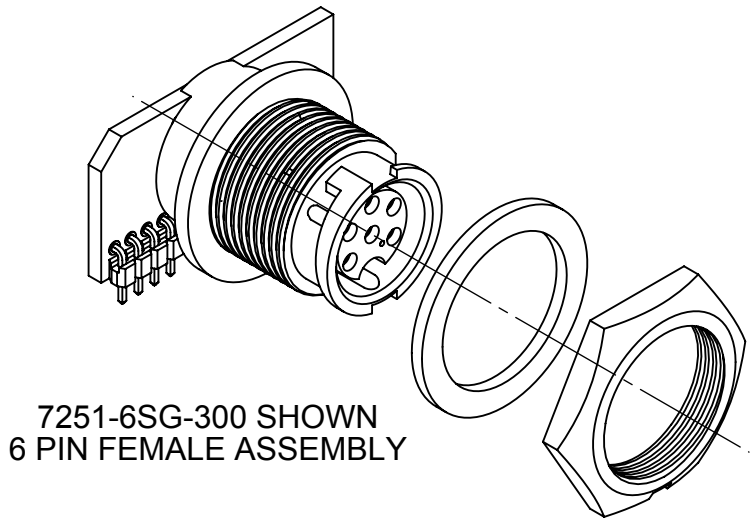
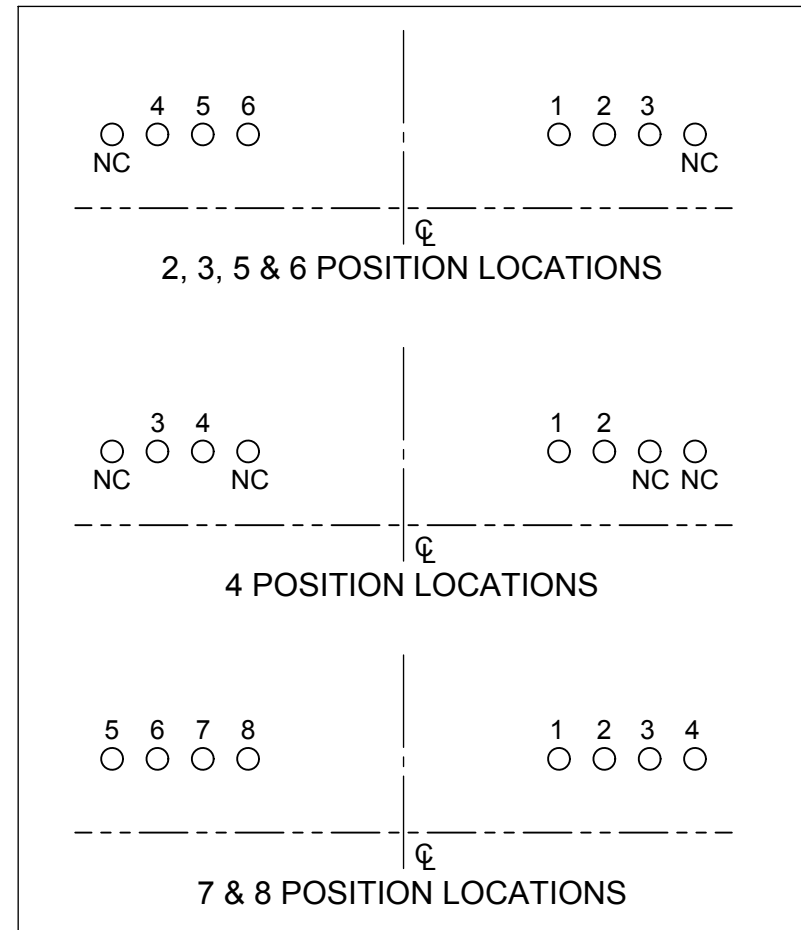
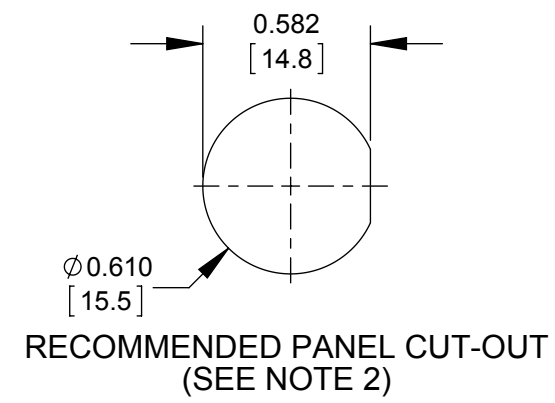
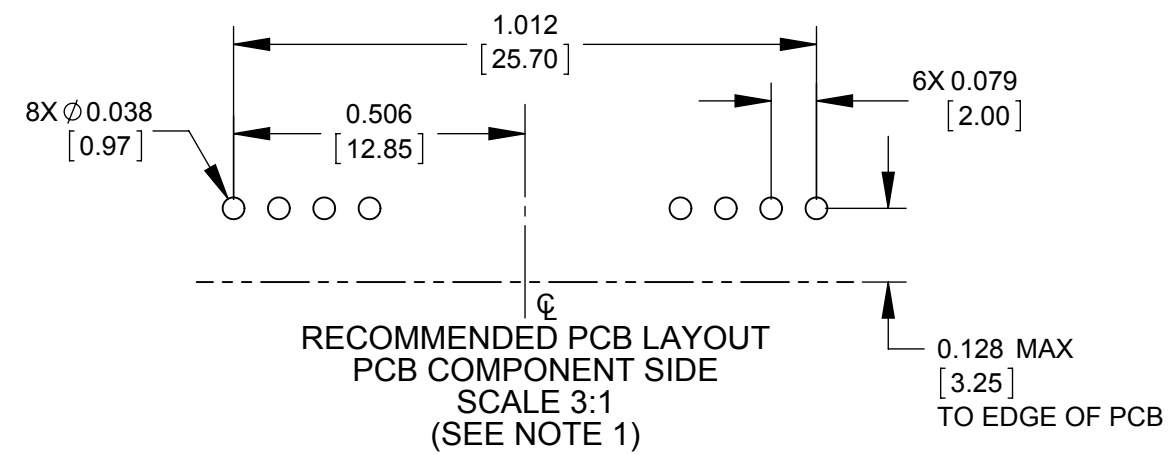
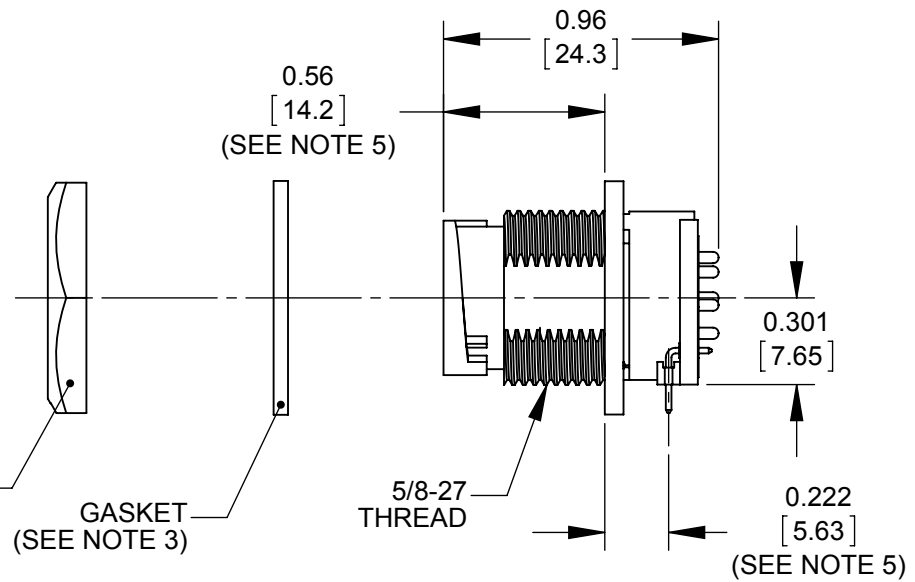
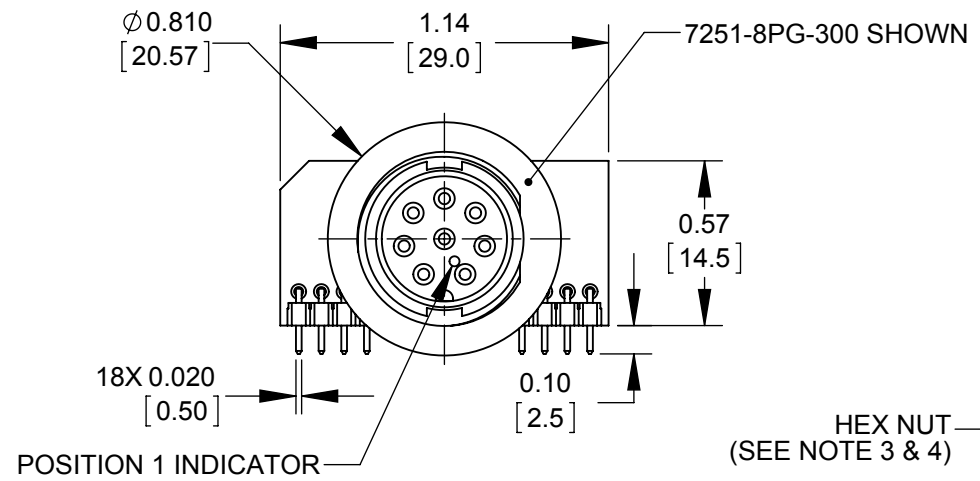
Tel: +86-755-8981 8866 Fax: +86-755-8427 6832

Email & Skype: info@chipsmall.com Web: www.chipsmall.com

Address: A1208, Overseas Decoration Building, #122 Zhenhua RD., Futian, Shenzhen, China



- NOTES:
1. ALL HOLES REQUIRED REGARDLESS OF NUMBER OF POSITIONS OF CONNECTOR.
 2. MAXIMUM PANEL THICKNESS RECOMMENDED: 0.188 [4.78mm]
 3. HEX NUT & GASKET SHIPPED UNASSEMBLED.
 4. HEX NUT TIGHTENING TORQUE: 8-10 IN/LB
 5. THE DIMENSION DOES NOT INCLUDE THE GASKET.
 6. CURRENT RATING-
5-8 CONTACT: 4.0 AMP
2-4 CONTACT: 5.0 AMP
 7. TEMPERATURE RATING: -40°C TO +85°C (-40°F TO +185°F)
 8. MATERIALS-
PANEL CONNECTOR, HEX NUT, & SPACER: THERMOPLASTIC
GASKET: ELASTOMER
CONTACTS: COPPER ALLOY, GOLD PLATE
PCB: FR-4
HEADER INSULATOR: THERMOPLASTIC, UL94V-0
 9. THIS PRODUCT IS RoHS COMPLIANT.



7251 - G - 300

OF CONTACTS
2,3,4,5,6,7,8
(7&8 NOT AVAILABLE IN FEMALE)

GENDER
P - MALE
S - FEMALE

CUSTOMER DRAWING

0C	JGK	11/05/15	UPDATED NOTES.
0B	JGK	9/21/15	UPDATED NOTES.
0A	JGK	8/28/13	DRAWING CREATED PER PROJECT #09001.
REV.	INIT.	DATE	DESCRIPTION
ALL INFORMATION ILLUSTRATED IS THE PROPERTY OF CONXALL CORPORATION. UNAUTHORIZED DUPLICATION OR DISTRIBUTION OF THIS DOCUMENT IS PROHIBITED.			ORIG. DRAWN BY: JGK DATE: 8/26/13 CHECKED BY:
ALL UNITS ARE IN FEET, INCHES, FRACTION OF INCHES AND DECIMALS. UNLESS OTHERWISE SPECIFIED TOLERANCES: 3 PLACE DECIMALS ±.005 ANGLES ±1° FRACTIONS ±1/16			APPROVED BY: SCALE: 3:2 SIZE: B SHEET: 1 OF 1
FILE: - CRITICAL CHARACTERISTIC FLAG PER SPEC. XXXX			TITLE: MINI-CON-X RIGHT ANGLE 2-8 POSITION WIDE PC BOARD STANDARD PRODUCT CUSTOMER: STANDARD PRODUCT PART NUMBER: 7251-__G-300 SERIES REV: 0C

PRELIMINARY

RoHS COMPLIANT

CUSTOMER DRAWING

PART NUMBER: 7251-__G-300 SERIES