



Chipsmall Limited consists of a professional team with an average of over 10 year of expertise in the distribution of electronic components. Based in Hongkong, we have already established firm and mutual-benefit business relationships with customers from,Europe,America and south Asia,supplying obsolete and hard-to-find components to meet their specific needs.

With the principle of “Quality Parts,Customers Priority,Honest Operation,and Considerate Service”,our business mainly focus on the distribution of electronic components. Line cards we deal with include Microchip,ALPS,ROHM,Xilinx,Pulse,ON,Everlight and Freescale. Main products comprise IC,Modules,Potentiometer,IC Socket,Relay,Connector.Our parts cover such applications as commercial,industrial, and automotives areas.

We are looking forward to setting up business relationship with you and hope to provide you with the best service and solution. Let us make a better world for our industry!



## Contact us

Tel: +86-755-8981 8866 Fax: +86-755-8427 6832

Email & Skype: info@chipsmall.com Web: www.chipsmall.com

Address: A1208, Overseas Decoration Building, #122 Zhenhua RD., Futian, Shenzhen, China



PRODUCT NO.  
72512-0021 SEE NOTE 6

PRODUCT NO.  
72512-0011 SEE NOTE 6

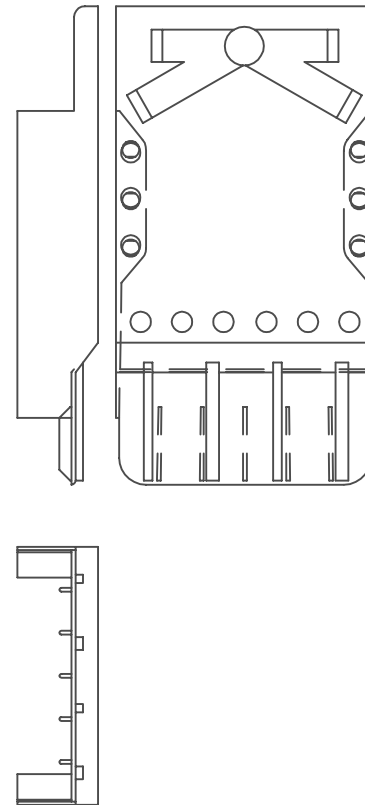
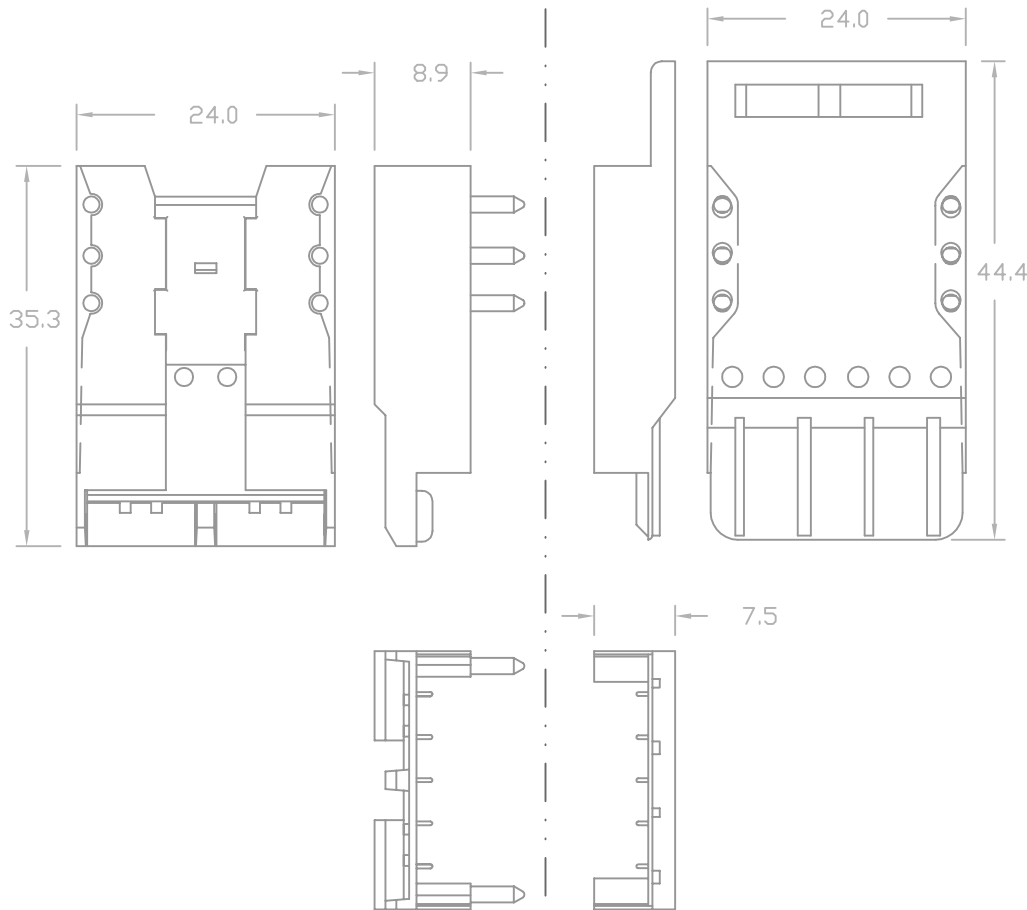
PRODUCT NO.  
72512-0031 SEE NOTE 6

NOTES:

- SEE APPLICATION SPECIFICATION, GS-20-003, FOR INSTRUCTION ON WIRE INSERTION AND ASSEMBLY OF COMPONENTS FOR CONNECTOR USING THESE COVERS.
- MATERIAL:  
GLASS FILLED 612 POLYAMIDE.

3. 72512-0011 IS AN OLDER VERSION AND WILL BE OBSOLETE AFTER CURRENT STOCK IS USED UP.  
ORDER 72512-0031 WHEN 72512-0011 IS UNAVAILABLE.

- THE PRODUCTS WHERE THE PART NUMBER ENDS IN LF MEET THE EUROPEAN UNION DIRECTIVES AND OTHER COUNTRY REGULATIONS AS DESCRIBED IN GS-22-008.
- THESE PRODUCTS LISTED ON THIS DRAWING WILL NOT WITHSTAND WAVE SOLDER OR REFLOW OPERATIONS.
- FOR LEAD FREE PART NUMBERS, ADD AN 'LF' SUFFIX.  
EXAMPLE 72512-0021LF.



mat'l. code SEE NOTES		surface / tolerance ASME Y14.5 / ASME Y14.5		projection 	product family METRAL CABLE
ltr	ecn no	dr	date	tolerances unless otherwise specified	title
A	V71561	JRV	11/6/97	angles .X ±.3	5X12 COVERS
B	V12745	LSS	11/29/01	linear .XX ±.13	
C	V04-1106	DAI	11/15/04	0° ±2'	UNSHIELDED CABLE CONNECTORS
D	V05-0594	VS	08/08/05	dr J.R.VOLSTROF 11/5/97	scale 1:1
E	V06-0609	DCH	2006-06-23	engr J.R.VOLSTROF 11/5/97	FCI
				chr J.R.VOLSTROF 11/5/97	dwg no sheet 1 of 1 size
				appd J.R.VOLSTROF 11/5/01	72512 A4
					type CUSTOMER Drawing
sheet index	revision sheet	E	1		