



Chipsmall Limited consists of a professional team with an average of over 10 year of expertise in the distribution of electronic components. Based in Hongkong, we have already established firm and mutual-benefit business relationships with customers from,Europe,America and south Asia,supplying obsolete and hard-to-find components to meet their specific needs.

With the principle of "Quality Parts,Customers Priority,Honest Operation,and Considerate Service",our business mainly focus on the distribution of electronic components. Line cards we deal with include Microchip,ALPS,ROHM,Xilinx,Pulse,ON,Everlight and Freescale. Main products comprise IC,Modules,Potentiometer,IC Socket,Relay,Connector.Our parts cover such applications as commercial,industrial, and automotives areas.

We are looking forward to setting up business relationship with you and hope to provide you with the best service and solution. Let us make a better world for our industry!



## Contact us

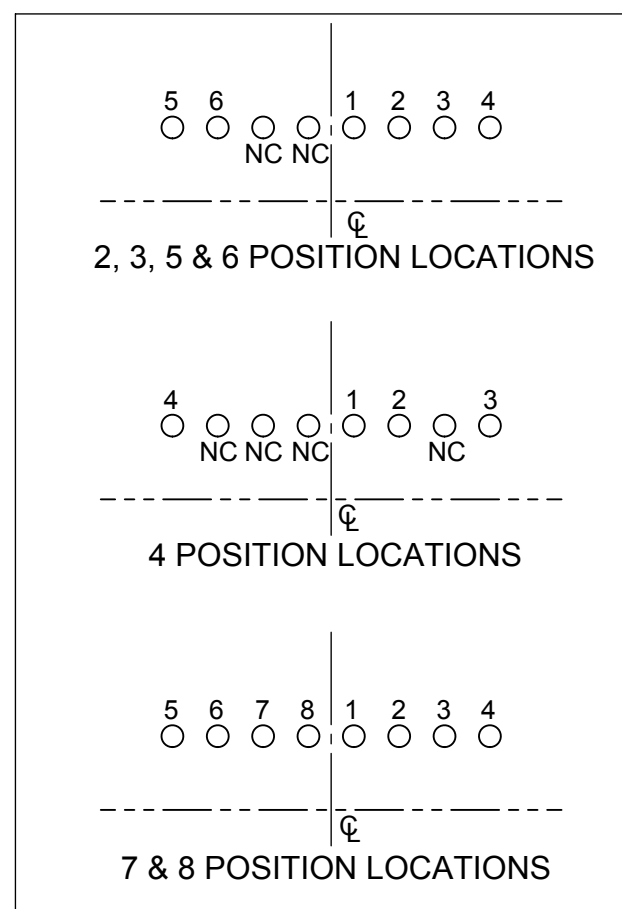
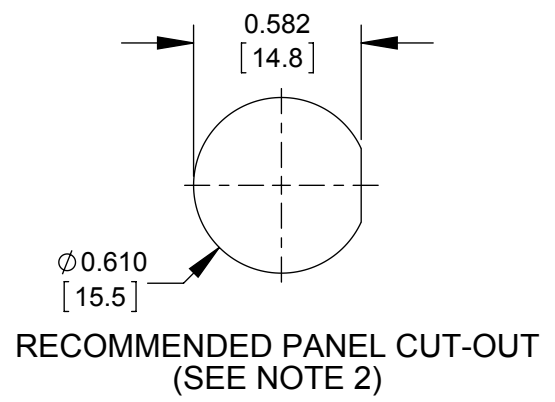
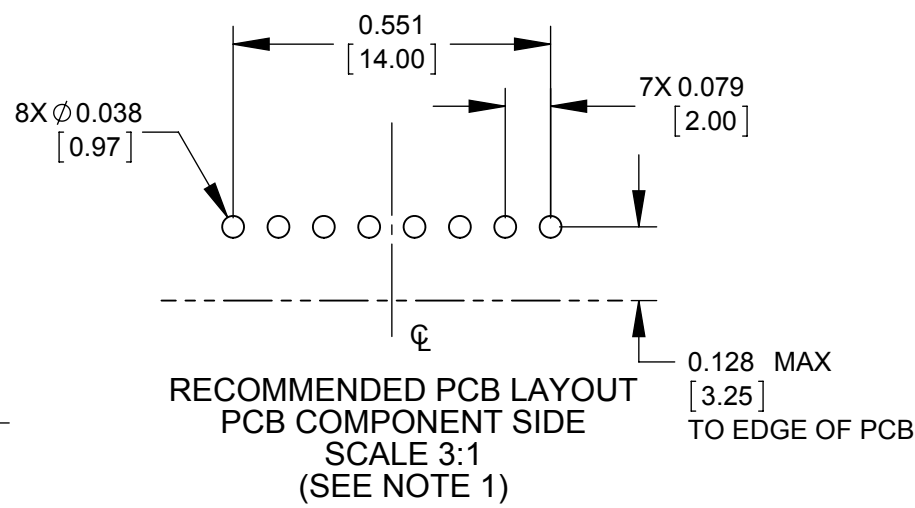
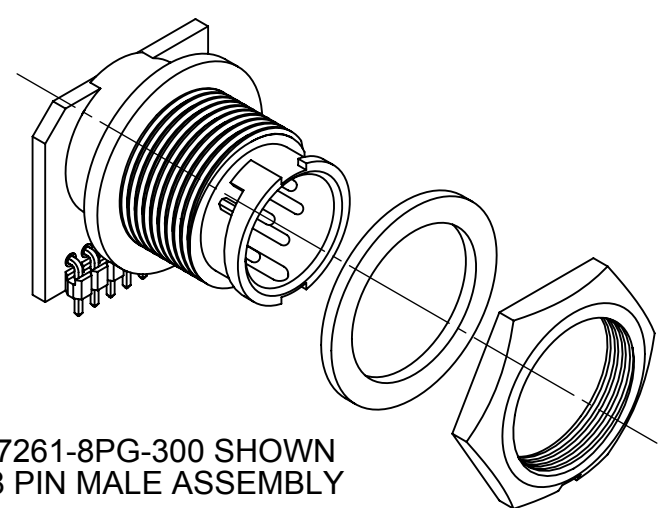
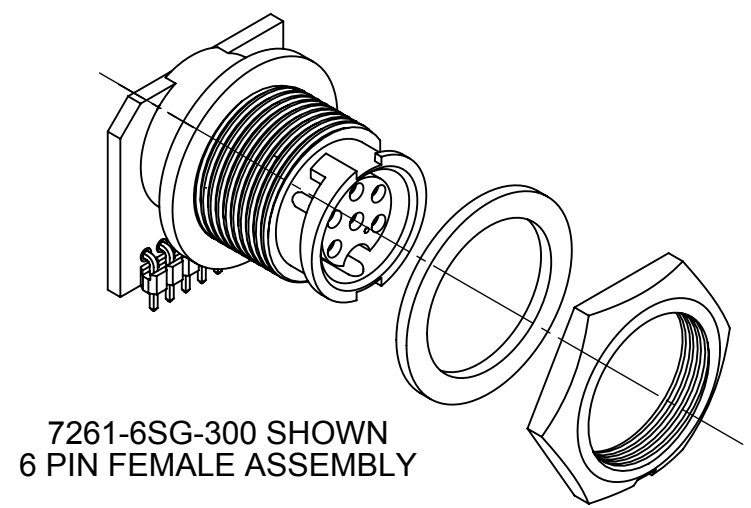
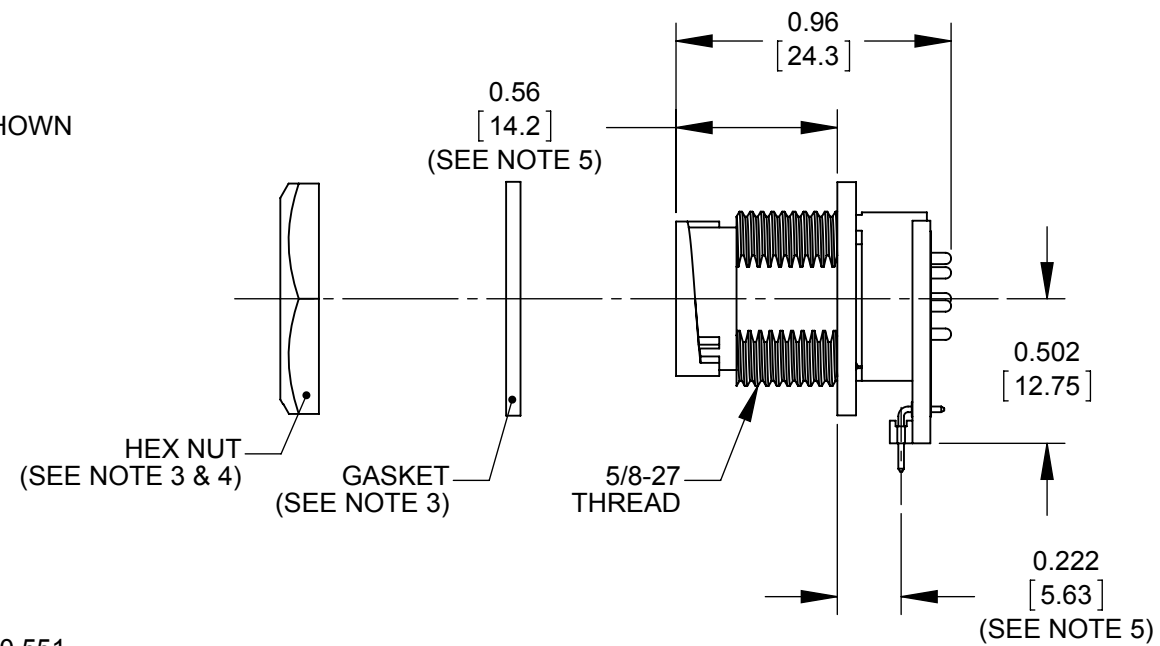
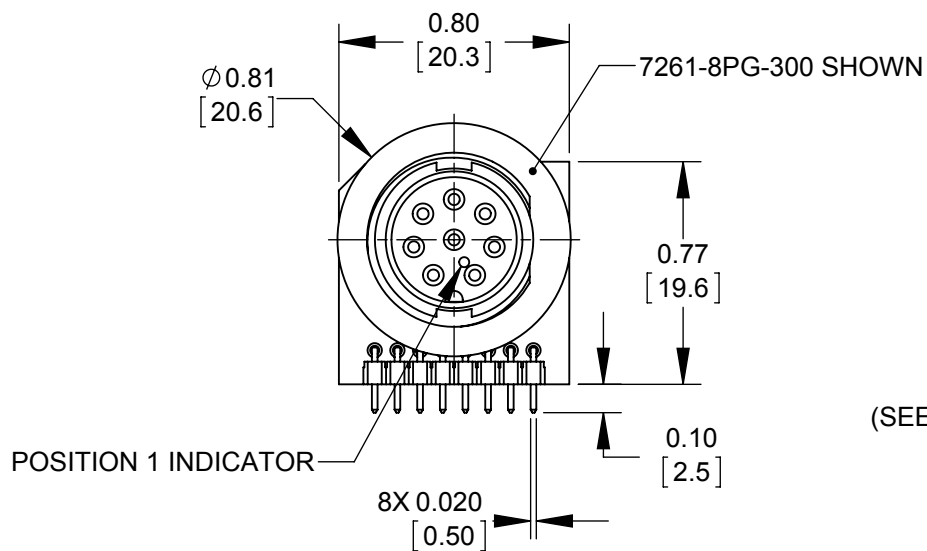
Tel: +86-755-8981 8866 Fax: +86-755-8427 6832

Email & Skype: info@chipsmall.com Web: www.chipsmall.com

Address: A1208, Overseas Decoration Building, #122 Zhenhua RD., Futian, Shenzhen, China



- NOTES:
1. ALL HOLES REQUIRED REGARDLESS OF NUMBER OF POSITIONS OF CONNECTOR.
  2. MAXIMUM PANEL THICKNESS RECOMMENDED: 0.188 [4.78mm]
  3. HEX NUT & GASKET SHIPPED UNASSEMBLED.
  4. HEX NUT TIGHTENING TORQUE: 8-10 IN/LB
  5. THE DIMENSION DOES NOT INCLUDE THE GASKET.
  6. CURRENT RATING-  
5-8 CONTACT: 4.0 AMP  
2-4 CONTACT: 5.0 AMP
  7. TEMPERATURE RATING: -40°C TO +85°C (-40°F TO +185°F)
  8. MATERIALS-  
PANEL CONNECTOR, HEX NUT, & SPACER: THERMOPLASTIC  
GASKET: ELASTOMER  
CONTACTS: COPPER ALLOY, GOLD PLATE  
PCB: FR-4  
HEADER INSULATOR: THERMOPLASTIC, UL94V-0
  9. THIS PRODUCT IS RoHS COMPLIANT.



7261 - G - 300

# OF CONTACTS  
2,3,4,5,6,7,8  
(7&8 NOT AVAILABLE IN FEMALE)

GENDER  
P - MALE  
S - FEMALE

CUSTOMER DRAWING

0C	JGK	11/05/15	UPDATED NOTES.
0B	JGK	9/21/15	UPDATED NOTES.
0A	JGK	8/28/13	DRAWING CREATED PER PROJECT #09001.
REV.	INIT.	DATE	DESCRIPTION
	JGK	8/26/13	ORIG. DRAWN BY: DATE: 8/26/13
			CHECKED BY:
			APPROVED BY:
	SCALE	SIZE	SHEET
	3:2	B	1 OF 1
	FILE:	DIRECTORY:	PART NUMBER:
	SAME AS P/N	SLW	7261- _ _G-300 SERIES
			REV 0C

PRELIMINARY

RoHS COMPLIANT

CUSTOMER DRAWING

PART NUMBER: 7261- \_ \_G-300 SERIES



601 E. WILDWOOD VILLA PARK, IL 60181  
TITLE: MINI-CON-X RIGHT ANGLE  
2-8 POSITION  
NARROW PC BOARD  
STANDARD PRODUCT