



Chipsmall Limited consists of a professional team with an average of over 10 year of expertise in the distribution of electronic components. Based in Hongkong, we have already established firm and mutual-benefit business relationships with customers from,Europe,America and south Asia,supplying obsolete and hard-to-find components to meet their specific needs.

With the principle of “Quality Parts,Customers Priority,Honest Operation,and Considerate Service”,our business mainly focus on the distribution of electronic components. Line cards we deal with include Microchip,ALPS,ROHM,Xilinx,Pulse,ON,Everlight and Freescale. Main products comprise IC,Modules,Potentiometer,IC Socket,Relay,Connector.Our parts cover such applications as commercial,industrial, and automotives areas.

We are looking forward to setting up business relationship with you and hope to provide you with the best service and solution. Let us make a better world for our industry!



## Contact us

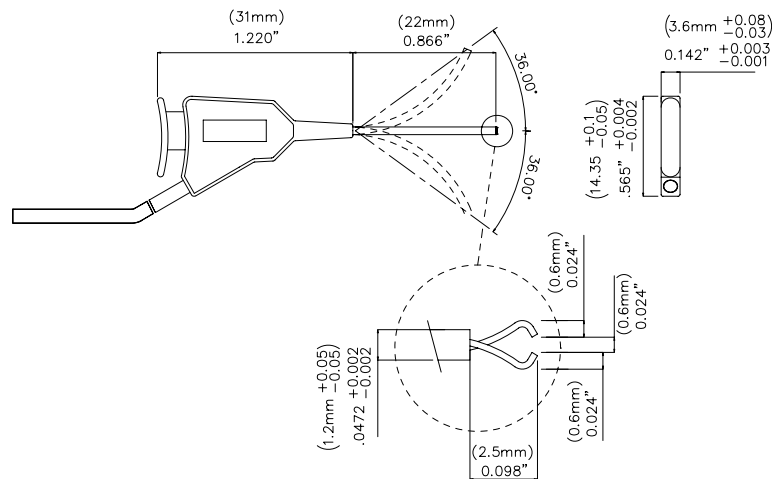
Tel: +86-755-8981 8866 Fax: +86-755-8427 6832

Email & Skype: info@chipsmall.com Web: www.chipsmall.com

Address: A1208, Overseas Decoration Building, #122 Zhenhua RD., Futian, Shenzhen, China



**Models 72906  
Mini SMD Grabber Test Clips**



**Mini SMD Grabber Test Clips**

**Features**

- **Designed for easy attachment to SMD chips with pitches down to 0.032" (0.80 mm)**
- Insulated shaft can be bent up to 36 degrees for versatile attachment in awkward locations or close proximity to other clips
- Rotating jaws increase versatility in connection and stacking.
- Thin (3mm) profile allows close placement to adjacent clips.
- Compatible with leads with Ø0.8 mm female connectors
- Order Pomona model number 72905-0 for clip lead for SMD Mini Grabber - 0.8mm female/4 mm female for easy attachment to standard test leads.

**Materials**

- **Insulation: Polyamide**
- **Jaws: Steel**

**Ordering Information**

Model: 72906-Color  
Available colors: Black (-0), Red (-2)

**Specifications**

Max Current Admissible	1A
Voltage; Max - Tension	33 V AC / 70 V DC
Temperature	-20° C + 80° C
Max Resistance	Less than 15 mΩ

**Rating:** *hands free testing* in controlled environment: 70Vrms max. For CE compliance: Not intended for hand-held use at voltages above 33Vrms/70Vdc

**USA:** Sales: 800-490-2361 Technical Support: 800-241-2060 Fax: 888-403-3360

**Europe:** 31-(0) 40 2675 150 **International:** 425-446-5500

**e-mail:** [technicalsupport@pomonatest.com](mailto:technicalsupport@pomonatest.com)

**Where to Buy:** [www.pomonaelectronics.com](http://www.pomonaelectronics.com)

All dimensions are in inches. Tolerances (except noted): .xx = ±.02" (.51 mm), .xxx = ±.005" (.127 mm). All specifications are to the latest revisions. Specifications are subject to change without notice. Registered trademarks are the property of their respective companies.