



Chipsmall Limited consists of a professional team with an average of over 10 year of expertise in the distribution of electronic components. Based in Hongkong, we have already established firm and mutual-benefit business relationships with customers from,Europe,America and south Asia,supplying obsolete and hard-to-find components to meet their specific needs.

With the principle of “Quality Parts,Customers Priority,Honest Operation,and Considerate Service”,our business mainly focus on the distribution of electronic components. Line cards we deal with include Microchip,ALPS,ROHM,Xilinx,Pulse,ON,Everlight and Freescale. Main products comprise IC,Modules,Potentiometer,IC Socket,Relay,Connector.Our parts cover such applications as commercial,industrial, and automotives areas.

We are looking forward to setting up business relationship with you and hope to provide you with the best service and solution. Let us make a better world for our industry!



Contact us

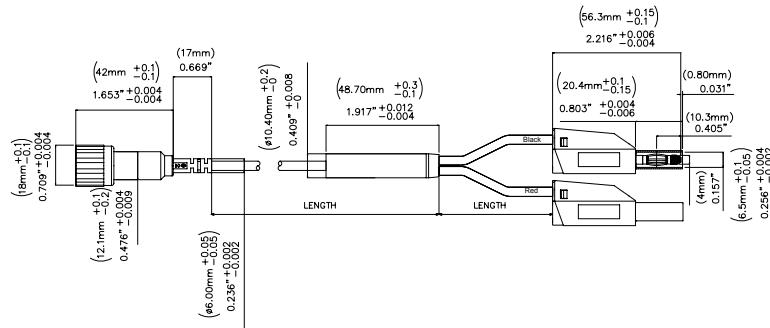
Tel: +86-755-8981 8866 Fax: +86-755-8427 6832

Email & Skype: info@chipsmall.com Web: www.chipsmall.com

Address: A1208, Overseas Decoration Building, #122 Zhenhua RD., Futian, Shenzhen, China



**Models 72927
Insulated BNC (M) / 4mm Plugs**



Features

- Insulated BNC (M) / 4mm Plugs, 50Ω

Materials

Connector:

- Connector body: Nickel plated Brass
- Center Contact: Gold Plated Brass
- Dielectric: White PTFE

Plugs:

- Plug spring: Nickel plated bronze Beryllium copper.
- Plug Body: Nickel plated Brass
- Insulation Tip: Polysulfone
- Plug Insulation: Polypropylene
- Wire: PVC Jacket

Ordering Information

Model: 72927-C-Length

Available Lengths: 40 inches (-40) or 80 inches (-80)

Specifications

Max Current	3 A Max
Max Voltage	500 V CAT I 150 V CAT III
Cable	50 Ω

USA: Sales: 800-490-2361 Technical Support: 800-241-2060 Fax: 888-403-3360

Europe: 31-(0) 40 2675 150 **International:** 425-446-5500

e-mail: technicalsupport@pomonatest.com

Where to Buy: www.pomonaelectronics.com

All dimensions are in inches. Tolerances (except noted): .xx = ±.02" (.51 mm), .xxx = ±.005" (.127 mm). All specifications are to the latest revisions. Specifications are subject to change without notice. Registered trademarks are the property of their respective companies.