



Chipsmall Limited consists of a professional team with an average of over 10 year of expertise in the distribution of electronic components. Based in Hongkong, we have already established firm and mutual-benefit business relationships with customers from,Europe,America and south Asia,supplying obsolete and hard-to-find components to meet their specific needs.

With the principle of “Quality Parts,Customers Priority,Honest Operation,and Considerate Service”,our business mainly focus on the distribution of electronic components. Line cards we deal with include Microchip,ALPS,ROHM,Xilinx,Pulse,ON,Everlight and Freescale. Main products comprise IC,Modules,Potentiometer,IC Socket,Relay,Connector.Our parts cover such applications as commercial,industrial, and automotives areas.

We are looking forward to setting up business relationship with you and hope to provide you with the best service and solution. Let us make a better world for our industry!



## Contact us

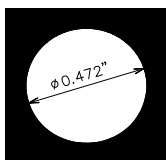
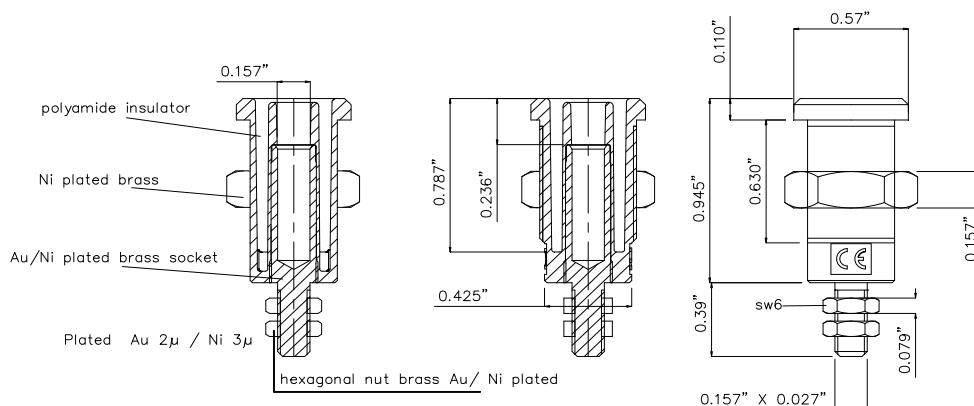
Tel: +86-755-8981 8866 Fax: +86-755-8427 6832

Email & Skype: info@chipsmall.com Web: www.chipsmall.com

Address: A1208, Overseas Decoration Building, #122 Zhenhua RD., Futian, Shenzhen, China



**Model 72930**  
**Panel Mount IEC 61010 4mm (0.16in) Jack for Sheathed Plugs**



PANEL DRILLING  $\phi 0.472$ "



**Model 72930**  
**Panel Mount IEC 61010 4mm (0.16in) Jack for Sheathed Plugs**

**Materials**

Body: Polyamide  
Hex Nut: Nickel-plated brass  
Stud: Nickel-plated brass  
Stud Hex Nuts: Nickel-plated brass

**Features**

- Panel mount IEC61010 4mm (0.16in) banana jack for sheathed banana plugs, with threaded stud.
- Hexagonal nut.

**Specifications**

<b>Max Current</b>	36A
<b>Max Voltage</b>	1000 V CAT III

M4 x 0.7 nut = Screwing Torque Nuts = 30 Ncm Max.

**Ordering Information**

Model: 72930-  
\*Available colors: 0=Black, 1=Brown, 2=Red, 4=Yellow, 5=Green, 6=Blue, 7=Violet, 8=Gray, 9=White  
Ordering example: 72930-5 (72930 with Green Polyamide Insulation)  
Each color sold in packages of 10 pieces.

**USA:** Sales: 800-490-2361  
Technical Support: [technicalsupport@pomonatest.com](mailto:technicalsupport@pomonatest.com)  
Fax: 425-446-5844  
**Europe:** 31-(0) 40 2675 150 **International:** 425-446-5500  
**Where to Buy:** [www.pomonaelectronics.com](http://www.pomonaelectronics.com)

All dimensions are in inches. Tolerances (except noted): .xx =  $\pm 0.02$ " (.51 mm), .xxx =  $\pm 0.005$ " (.127 mm). All specifications are to the latest revisions. Specifications are subject to change without notice. Registered trademarks are the property of their respective companies.