

Chipsmall Limited consists of a professional team with an average of over 10 year of expertise in the distribution of electronic components. Based in Hongkong, we have already established firm and mutual-benefit business relationships with customers from,Europe,America and south Asia,supplying obsolete and hard-to-find components to meet their specific needs.

With the principle of “Quality Parts,Customers Priority,Honest Operation,and Considerate Service”,our business mainly focus on the distribution of electronic components. Line cards we deal with include Microchip,ALPS,ROHM,Xilinx,Pulse,ON,Everlight and Freescale. Main products comprise IC,Modules,Potentiometer,IC Socket,Relay,Connector.Our parts cover such applications as commercial,industrial, and automotives areas.

We are looking forward to setting up business relationship with you and hope to provide you with the best service and solution. Let us make a better world for our industry!



## Contact us

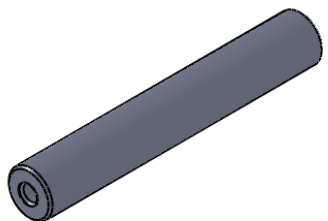
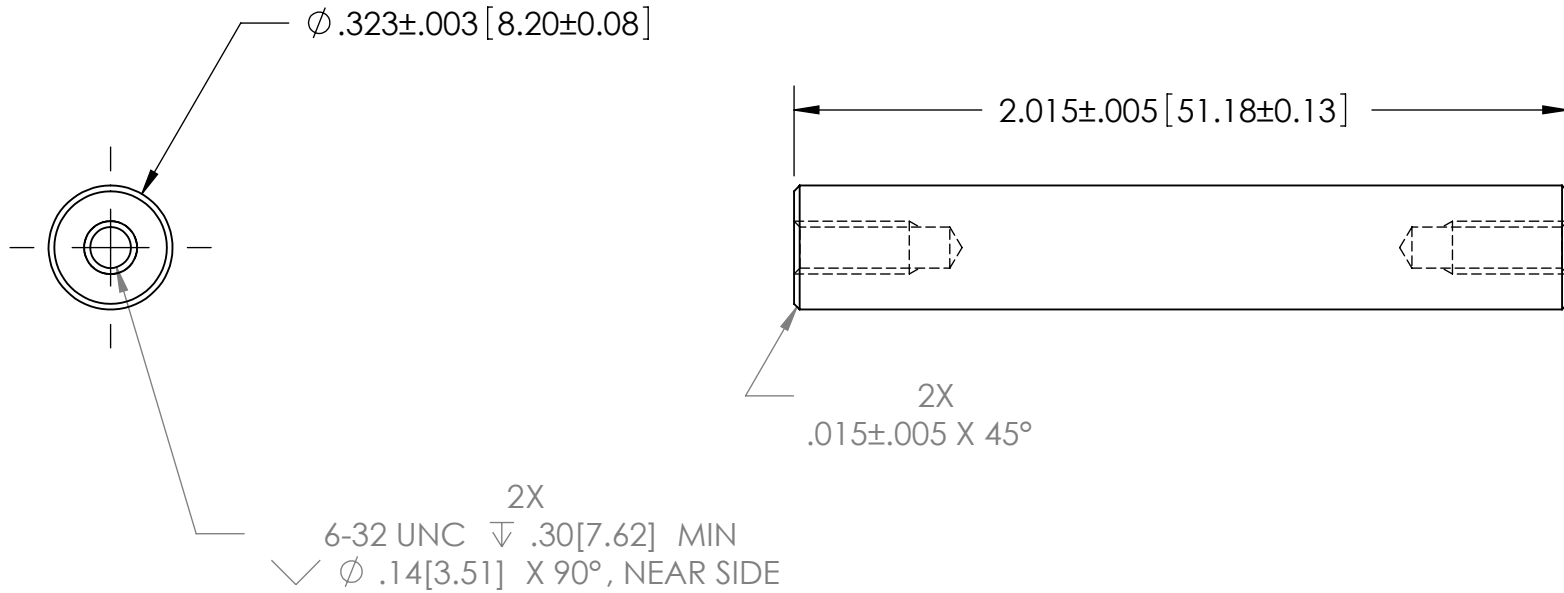
Tel: +86-755-8981 8866 Fax: +86-755-8427 6832

Email & Skype: info@chipsmall.com Web: www.chipsmall.com

Address: A1208, Overseas Decoration Building, #122 Zhenhua RD., Futian, Shenzhen, China

Material: Aluminum

NOTES



<b>PROPRIETARY INFORMATION</b> THE INFORMATION CONTAINED IN THIS DRAWING IS THE SOLE PROPERTY OF PARALLAX, INC. ANY REPRODUCTION IN PART OR IN WHOLE WITHOUT THE WRITTEN PERMISSION OF PARALLAX, INC. IS PROHIBITED.	<b>PARALLAX</b>  <sup>TM</sup>	DATE 20081027	
		Part # ---	REV ---
<b>UNLESS OTHERWISE SPECIFIED</b> DIMENSIONS ARE IN INCHES (mm) LENGTH TOLERANCES: X.XX ± 0.005 IN X.XXX ± 0.001 IN ANGLE TOLERANCES: X ± 2° X.X ± 0.5°	599 MENLO DRIVE ROCKLIN, CA 95765	www.PARALLAX.com (916) 624-8333	Parent Part # ---
	TITLE Tail Wheel Axle		
SCALE: 2:1		DRAWN BY Kevin McCullough	SHEET 1 OF 1