



Chipsmall Limited consists of a professional team with an average of over 10 year of expertise in the distribution of electronic components. Based in Hongkong, we have already established firm and mutual-benefit business relationships with customers from,Europe,America and south Asia,supplying obsolete and hard-to-find components to meet their specific needs.

With the principle of “Quality Parts,Customers Priority,Honest Operation,and Considerate Service”,our business mainly focus on the distribution of electronic components. Line cards we deal with include Microchip,ALPS,ROHM,Xilinx,Pulse,ON,Everlight and Freescale. Main products comprise IC,Modules,Potentiometer,IC Socket,Relay,Connector.Our parts cover such applications as commercial,industrial, and automotives areas.

We are looking forward to setting up business relationship with you and hope to provide you with the best service and solution. Let us make a better world for our industry!



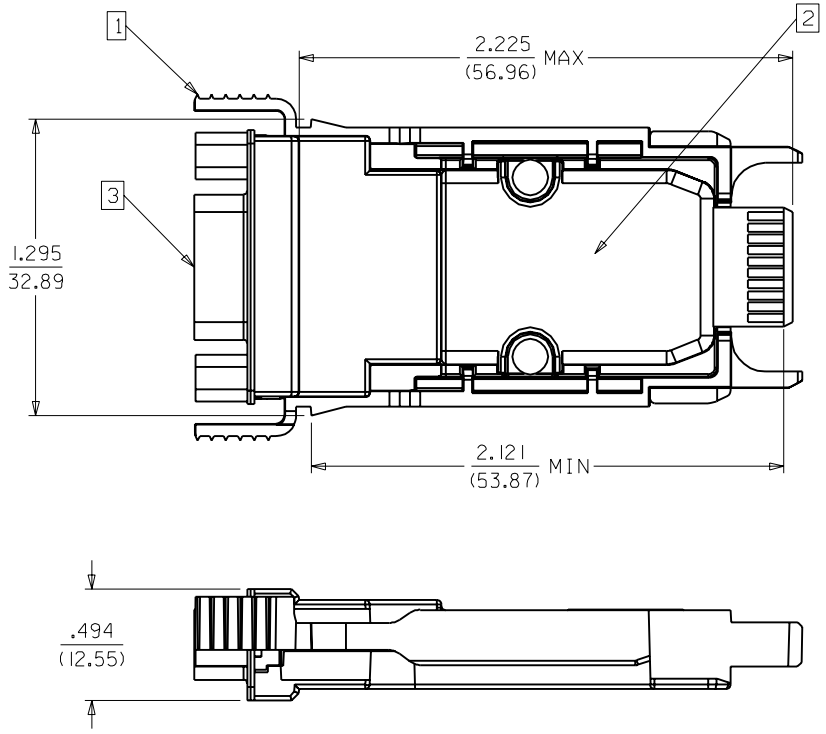
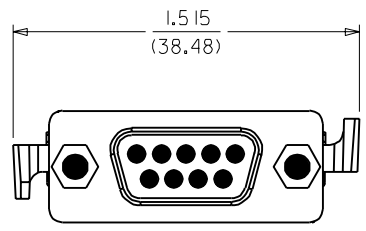
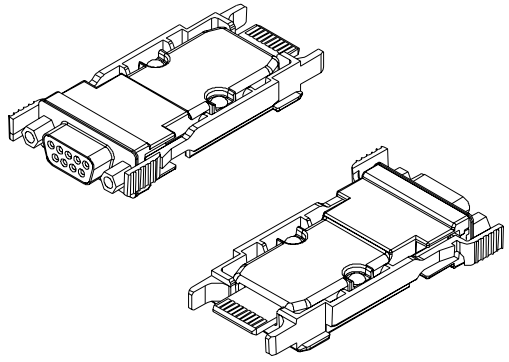
Contact us

Tel: +86-755-8981 8866 Fax: +86-755-8427 6832

Email & Skype: info@chipsmall.com Web: www.chipsmall.com

Address: A1208, Overseas Decoration Building, #122 Zhenhua RD., Futian, Shenzhen, China





MATERIALS:

1. GUIDE TRAY - GLASS FILLED POLYBUTYLENE TEREPHTHALATE, STATICALLY DISSIPATIVE, 94V-0, BLACK
2. SHIELD - ZINC DIECAST, CLEAR CHROMATE FINISH
3. DB-9 RECEPTACLE
SHELL: STEEL WITH TIN PLATE
INSULATOR: GLASS FILLED PBT, UL94V-0
CONTACTS: PHOSPHOR BRONZE, 30 MICRO GOLD OVER NICKEL UNDERPLATE
4. ADAPTER CAN BE STACKED SIDE TO SIDE ON A 1.5 INCH MINIMUM SPACING.

WITHOUT SERIAL IDENTIFICATION	73086-0001
DESCRIPTION	PART NUMBER

MFC. SH. REV.	REMOVE P/N PER UOI 2000-0151 99/08/09 DSL	REVISIONS	DIMENSIONS SHOWN (METRIC) INCH		
	D		LTR.	UNLESS OTHERWISE SPECIFIED TOLERANCES: ANGULAR 1/2°	
				DRWG. BY RKN	CHK'D. BY DLD
				APP'D. MJM	SCALE 2:1

REVISE ONLY ON CAD SYSTEM	
TITLE GBIC ADAPTER COPPER, DB-9, PASSIVE	
MOLEX INCORPORATED LISLE, ILL. 60532 U.S.A.	SHEET NO. 1 OF 1 DATE 98/05/20
PART NO. SEE CHART	DRWG. NO. SDA-73086-001
FILE NAME S73086X1.DGN	THIS DRAWING CONTAINS INFORMATION THAT IS PROPRIETARY TO MOLEX INC. AND SHOULD NOT BE USED WITHOUT WRITTEN PERMISSION.
DIV. D	SIZE B