



Chipsmall Limited consists of a professional team with an average of over 10 year of expertise in the distribution of electronic components. Based in Hongkong, we have already established firm and mutual-benefit business relationships with customers from,Europe,America and south Asia,supplying obsolete and hard-to-find components to meet their specific needs.

With the principle of “Quality Parts,Customers Priority,Honest Operation,and Considerate Service”,our business mainly focus on the distribution of electronic components. Line cards we deal with include Microchip,ALPS,ROHM,Xilinx,Pulse,ON,Everlight and Freescale. Main products comprise IC,Modules,Potentiometer,IC Socket,Relay,Connector.Our parts cover such applications as commercial,industrial, and automotives areas.

We are looking forward to setting up business relationship with you and hope to provide you with the best service and solution. Let us make a better world for our industry!



Contact us

Tel: +86-755-8981 8866 Fax: +86-755-8427 6832

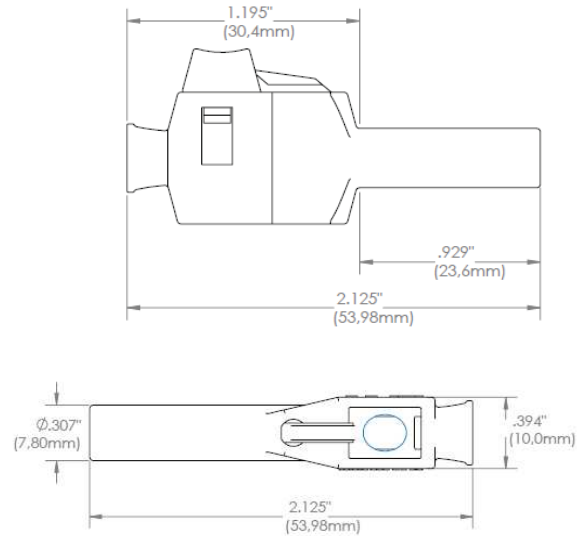
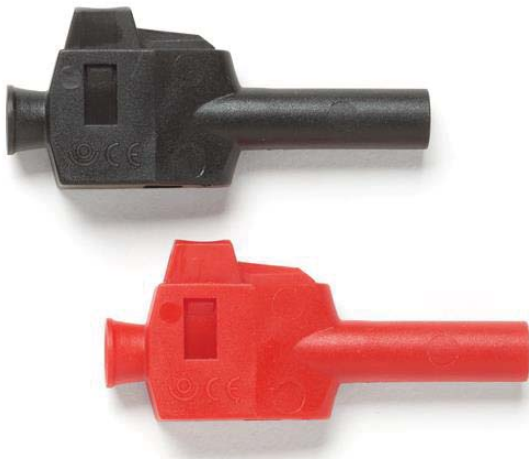
Email & Skype: info@chipsmall.com Web: www.chipsmall.com

Address: A1208, Overseas Decoration Building, #122 Zhenhua RD., Futian, Shenzhen, China



Model 73091

DIY Sheathed 4mm Banana Plug, Quick Wire Attachment



Features

- Attach wires quickly with the push-button tab for easy assembly or test lead repair
- No soldering or set screws required; simply, push and hold the push tab, insert the stripped test lead wire (*strip 4-6mm of insulation*), and release the push tab to secure the wire down
- Banana plug contact is sheathed for higher voltage and added protection
- Make 4mm banana plug test leads conveniently in the field
- Designed to fit on the end of any 22 AWG to 18 AWG wire gauge

Materials

Contact: Nickel-plated brass and steel
 Insulation: Polypropylene and Polyoxymethylene

Specifications

Voltage	*CAT II 600 V / CAT III 300 V
Max Current	20 A
Max Resistance	less than 10 mΩ
*When plug is correctly assembled and terminated	

Ordering Information

Model: 73091-*color*
Color: 0=Black, 2=Red
 Do-it-Yourself Sheathed 4mm Banana Plug, Quick Wire Attachment

USA: Sales: 800-490-2361
 Technical Support: technicalsupport@pomonatest.com
 Fax: 425-446-5844
Europe: 31-(0) 40 2675 150 **International:** 425-446-5500
Where to Buy: www.pomonaelectronics.com

All dimensions are in inches. Tolerances (except noted): .xx = ±.02" (.51 mm), .xxx = ±.005" (.127 mm). All specifications are to the latest revisions. Specifications are subject to change without notice. Registered trademarks are the property of their respective companies.