



Chipsmall Limited consists of a professional team with an average of over 10 year of expertise in the distribution of electronic components. Based in Hongkong, we have already established firm and mutual-benefit business relationships with customers from,Europe,America and south Asia,supplying obsolete and hard-to-find components to meet their specific needs.

With the principle of “Quality Parts,Customers Priority,Honest Operation,and Considerate Service”,our business mainly focus on the distribution of electronic components. Line cards we deal with include Microchip,ALPS,ROHM,Xilinx,Pulse,ON,Everlight and Freescale. Main products comprise IC,Modules,Potentiometer,IC Socket,Relay,Connector.Our parts cover such applications as commercial,industrial, and automotives areas.

We are looking forward to setting up business relationship with you and hope to provide you with the best service and solution. Let us make a better world for our industry!



## Contact us

Tel: +86-755-8981 8866 Fax: +86-755-8427 6832

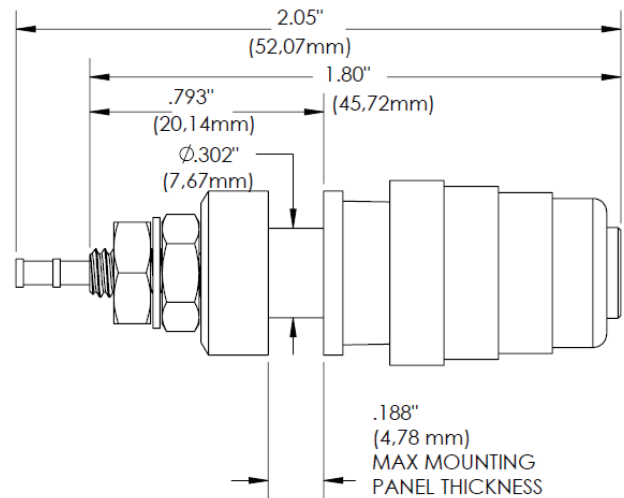
Email & Skype: info@chipsmall.com Web: www.chipsmall.com

Address: A1208, Overseas Decoration Building, #122 Zhenhua RD., Futian, Shenzhen, China



**Model 73094**

**Top Loading Binding Posts, Quick Wire Attachment**



**Features**

- Secure wires quickly; simply, pull and hold down the top of the binding post, insert wire into the opening, and release the top of the binding post to secure your connection
- Mounts are a #8 hole
- Max mounting panel thickness of 0.188" (4,78mm)
- Use up to 15 AWG wire gauge
- Great for any applications where a standard 5-Way or Spring Loaded Binding Post are used

**Materials**

Body: Nickel-plated brass  
 Insulation: Valox (UV and fire resistant)

**Specifications**

|   |                               |
|---|-------------------------------|
| <b>Voltage</b>  | 33 V AC / 70 V DC,<br>*1000 V |
| <b>Max Current</b>  | 15 A                          |
| *Maximum voltage for hands free use: 1000 V. Do not use on circuits where transient stresses can exceed the rated voltage |                               |

**Ordering Information**

Model: 73094-*color*  
**Color:** 0=Black, 2=Red  
 Top Loading Binding Post, Quick Wire Attachment

**USA:** Sales: 800-490-2361  
 Technical Support: [technicalsupport@pomonatest.com](mailto:technicalsupport@pomonatest.com)  
 Fax: 425-446-5844  
**Europe:** 31-(0) 40 2675 150 **International:** 425-446-5500  
**Where to Buy:** [www.pomonaelectronics.com](http://www.pomonaelectronics.com)

All dimensions are in inches. Tolerances (except noted): .xx = ±.02" (.51 mm), .xxx = ± .005" (.127 mm). All specifications are to the latest revisions. Specifications are subject to change without notice. Registered trademarks are the property of their respective companies.