



Chipsmall Limited consists of a professional team with an average of over 10 year of expertise in the distribution of electronic components. Based in Hongkong, we have already established firm and mutual-benefit business relationships with customers from,Europe,America and south Asia,supplying obsolete and hard-to-find components to meet their specific needs.

With the principle of “Quality Parts,Customers Priority,Honest Operation,and Considerate Service”,our business mainly focus on the distribution of electronic components. Line cards we deal with include Microchip,ALPS,ROHM,Xilinx,Pulse,ON,Everlight and Freescale. Main products comprise IC,Modules,Potentiometer,IC Socket,Relay,Connector.Our parts cover such applications as commercial,industrial, and automotives areas.

We are looking forward to setting up business relationship with you and hope to provide you with the best service and solution. Let us make a better world for our industry!



Contact us

Tel: +86-755-8981 8866 Fax: +86-755-8427 6832

Email & Skype: info@chipsmall.com Web: www.chipsmall.com

Address: A1208, Overseas Decoration Building, #122 Zhenhua RD., Futian, Shenzhen, China



MATERIALS AND FINISHES

BODY ZINC ALLOY
PLATED NICKEL

HOUSING PLOYESTER BUTYLENE TEREPHTALATE
COLOR: BLACK

CENTER CONTACT PHOSPHOR BRONZE
PLATED GOLD

INSULATOR POLYPROPYLENE (94-V2)

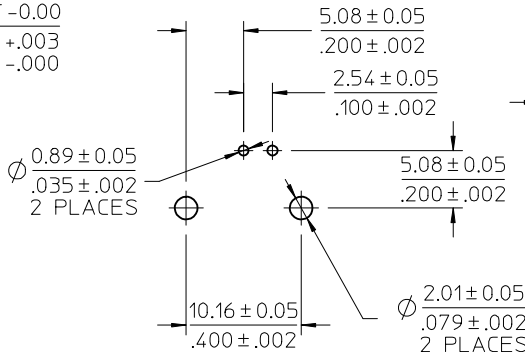
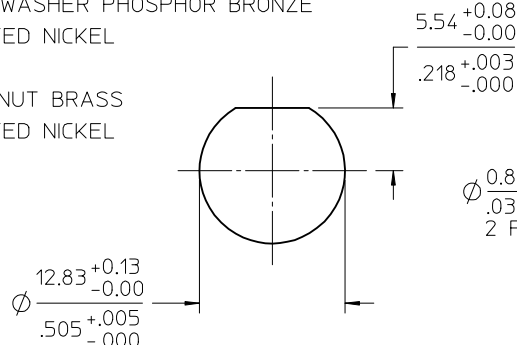
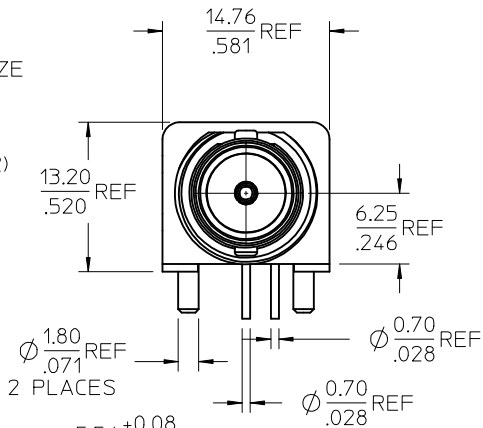
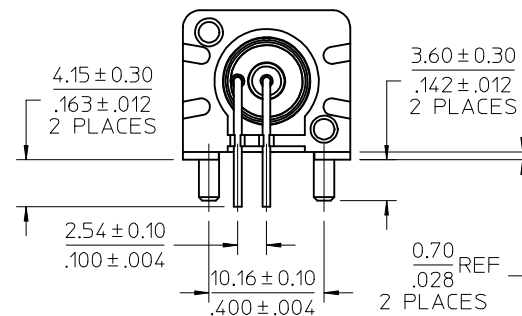
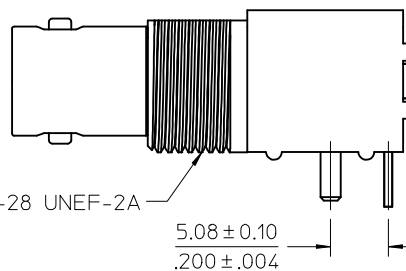
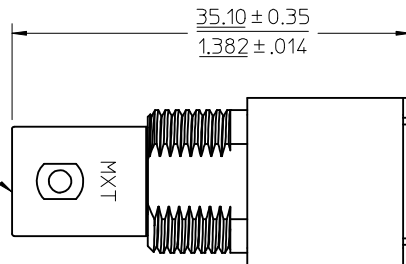
MOUNTING POST BRASS
PLATED TIN

SOLDER TAIL BRASS WIRE
PLATED TIN

LOCKWASHER PHOSPHOR BRONZE
PLATED NICKEL

JAM NUT BRASS
PLATED NICKEL

BNC JACK
INTERFACE



RECOMMENDED MOUNTING HOLE
PANEL THICKNESS: 5.50(.217) MAX
RECOMMENDED MOUNTING TORQUE:
0.56 N(5 INCH-LBS) MAX

RECOMMENDED PCB
CONFIGURATION

JAM NUT

LOCKWASHER

73171-6090	73100-0067 W/O NUT AND WASHER, PACKAGE BY TRAY
73171-2980	73100-0067, ONE PER BAG
73100-0067	PLASTIC TRAYS
PART NO.	PACKAGING

ES-73599-0000	INTERFACE
PS-73598-0051	PRODUCT SPECIFICATION
SPECIFICATION	DESCRIPTION

ADDED P/N 73171-6090

EC NO: URF2009-0317	2008/12/11	DRW: NIELIN	2008/12/16	CHKD: APPR: MHUANG	2008/12/16
REV	A2	DESCRIPTION			

QUALITY SYMBOLS	GENERAL TOLERANCES (UNLESS SPECIFIED)
▽=0	mm INCH
▽=0	4 PLACES ± --- ± ---
	3 PLACES ± --- ± ---
	2 PLACES ± --- ± ---
	1 PLACE ± --- ± ---
	ANGULAR ± 2 °
	DRAFT WHERE APPLICABLE MUST REMAIN WITHIN DIMENSIONS

DIMENSION STYLE	SCALE	DESIGN UNITS	THIRD ANGLE PROJECTION
MM/IN		METRIC	
DRAWN BY	DATE	TITLE	
C.M. HUNG	1993/02/01	BNC JACK, R/A, PCB RECEPTACLE, 75 OHMS BNC-J/RA/PCB	
CHECKED BY	DATE	APPROVED BY	
		KWH	
MATERIAL NO.		DOCUMENT NO.	
SEE TABLE		SD-73100-0067	
SIZE	SHEET NO.		
C	1 OF 1		

APPROVED BY		DATE	
KWH		1993/04/01	
MATERIAL NO.		DOCUMENT NO.	
SEE TABLE		SD-73100-0067	
SIZE	SHEET NO.		
C	1 OF 1		

THIS DRAWING CONTAINS INFORMATION THAT IS PROPRIETARY TO MOLEX INCORPORATED AND SHOULD NOT BE USED WITHOUT WRITTEN PERMISSION