



Chipsmall Limited consists of a professional team with an average of over 10 year of expertise in the distribution of electronic components. Based in Hongkong, we have already established firm and mutual-benefit business relationships with customers from,Europe,America and south Asia,supplying obsolete and hard-to-find components to meet their specific needs.

With the principle of “Quality Parts,Customers Priority,Honest Operation,and Considerate Service”,our business mainly focus on the distribution of electronic components. Line cards we deal with include Microchip,ALPS,ROHM,Xilinx,Pulse,ON,Everlight and Freescale. Main products comprise IC,Modules,Potentiometer,IC Socket,Relay,Connector.Our parts cover such applications as commercial,industrial, and automotives areas.

We are looking forward to setting up business relationship with you and hope to provide you with the best service and solution. Let us make a better world for our industry!



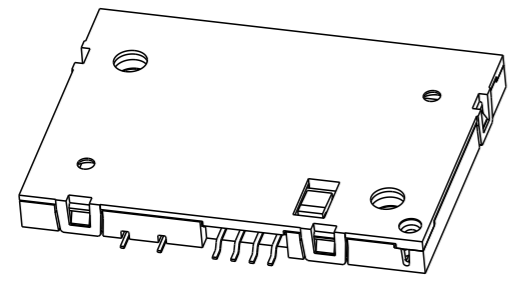
## Contact us

Tel: +86-755-8981 8866 Fax: +86-755-8427 6832

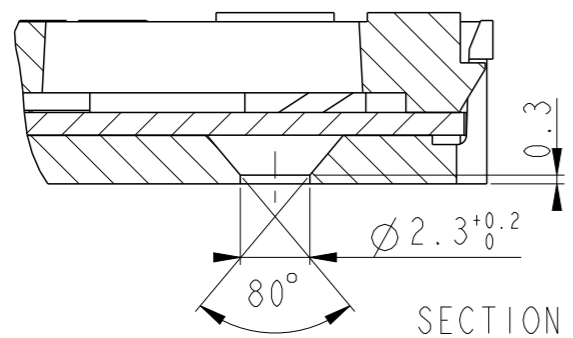
Email & Skype: info@chipsmall.com Web: www.chipsmall.com

Address: A1208, Overseas Decoration Building, #122 Zhenhua RD., Futian, Shenzhen, China

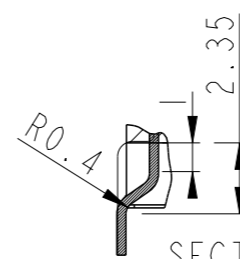
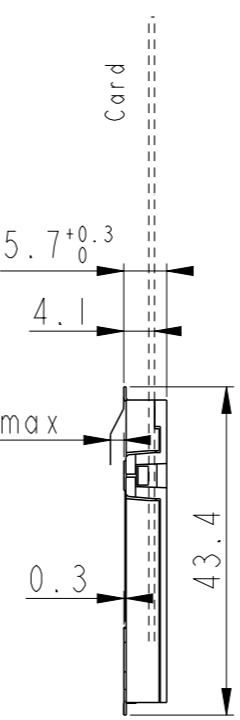
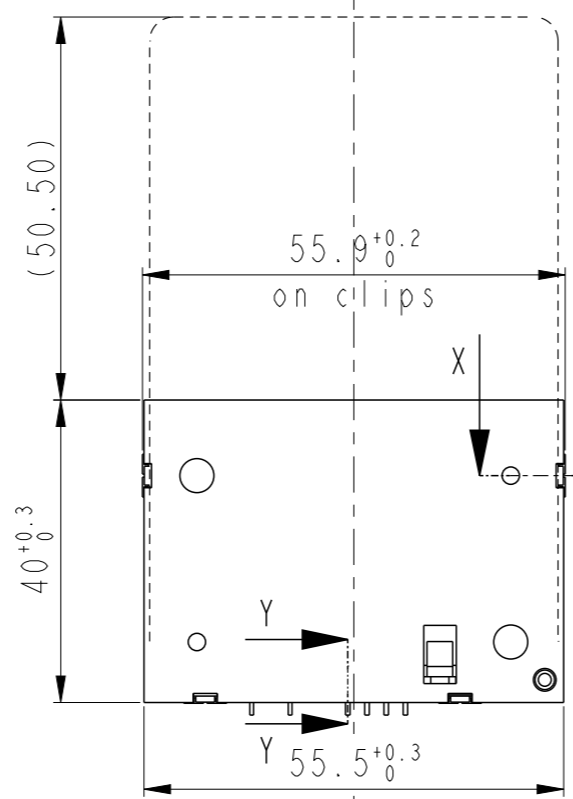




SCALE 1:1 CUT IN LOCK ONLY FOR COVER WITH LCP



SECTION X-X SCALE 4:1



SECTION Y-Y SCALE 4:1

**GENERAL :**  
 High cycle life duration smart card connector with landing type contacts mechanism. The landing type connector also provides the feature of recessed contacts when card is not inserted which protects them against vandalism.  
 Smart card for reference purposes only.

**ELECTRICAL PROPERTIES:**  
 Insulation resistance : > 1000MΩ  
 Dielectric withstanding voltage : >750 Vrms  
 Current carrying capacity : Min 10μA, Max 1A  
 Contact resistance : < 100mΩ

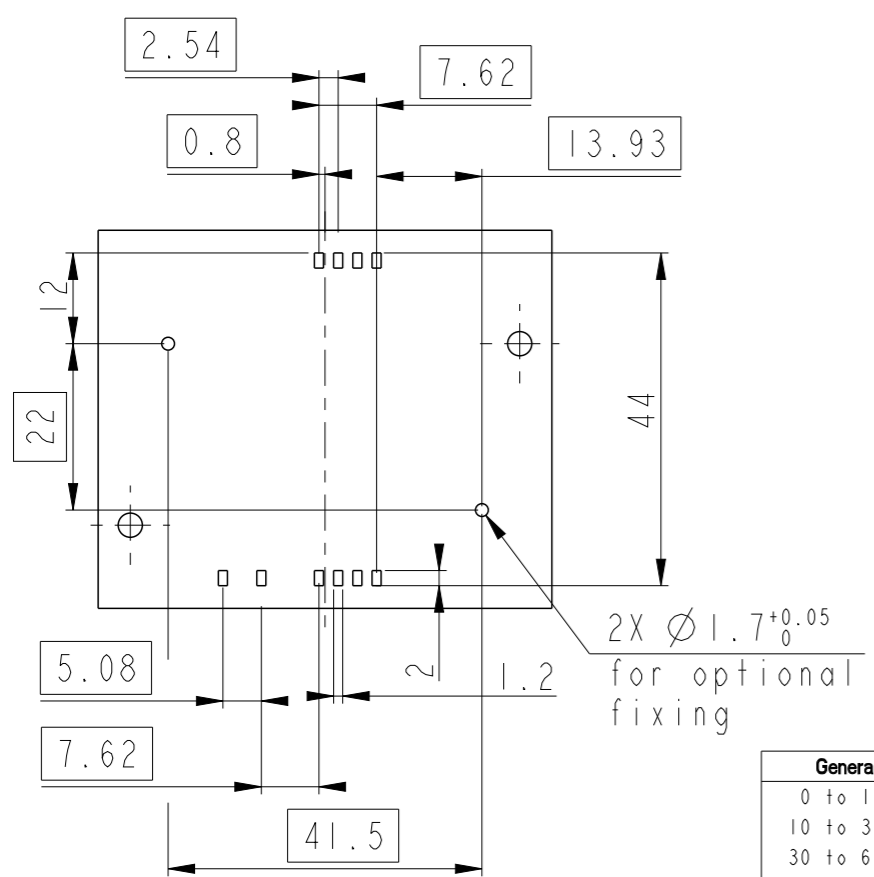
**MECHANICAL PROPERTIES :**  
 Operating force : Insertion : F < 10N  
 Withdrawal : 1 < F < 10N  
 Contact Normal force : 0.2 < F < 0.3 for 0.6mm of deflection  
 Durability : 200,000 mating cycles

**MATERIAL :**  
 Head reader : High temp. Thermoplastic, Black, Rated UL94V0  
 Cover : SEE TABLE, Rated UL94V0  
 Contacts : Copper alloy,  
 Plating : Nickel min. all over  
 Gold/Equivalent PdNi on contact area  
 Matte tin min. on solder tails

**ENVIRONMENT :**  
 Operating temperature : -40°C / +85°C  
 Climatic conditions : UTE 93-421

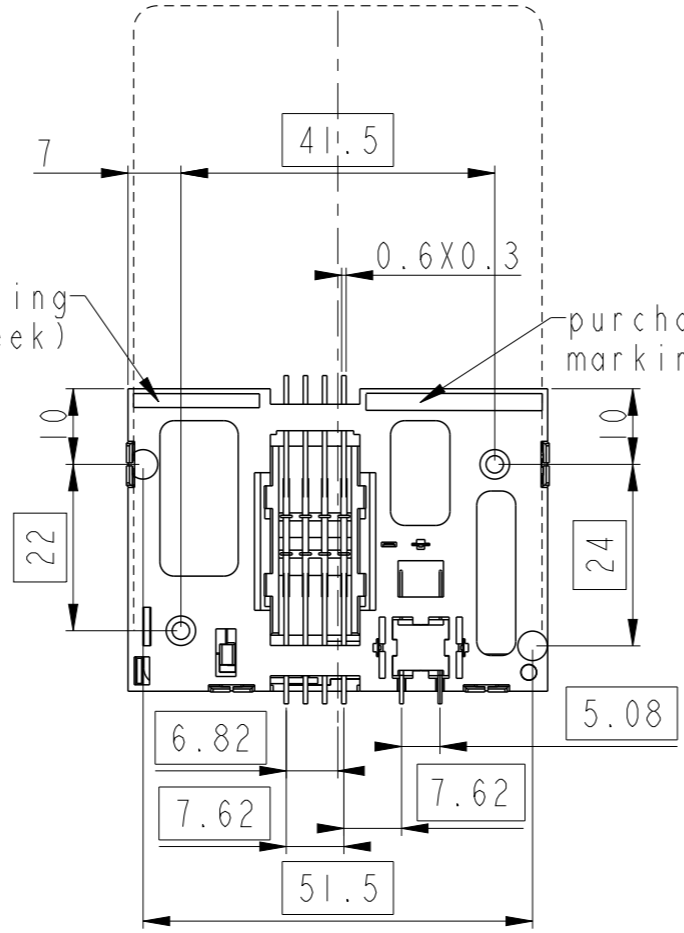
**PACKAGING :**  
 Plastic cavity tray

**Recommended PCB Layout (Component side)**



manufacturing date (year-week)

purchase number marking



**LEAD FREE VERSION:**

"This product meets European Union Directives and other country regulations as described in GS-47-0004"

The housing will withstand exposure to 260°C peak temperature for 10seconds in a convection reflow oven.

PART NUMBER	COVER MATERIAL	MARKING	LEAD FREE VERSION
7311E0225S01	LCP (BLACK)	NO	7311E0225S01LF
7411E0225S01	PA46 (GREY)	YES	7411E0225S01LF
7711E0225S01	LCP (BLACK)	NO	7711E0225S01LF



Copyright FCI.

spec ref	--	dr	P-Mathew Nebu	2011/05/04
tolerance std	ISO 406 ISO 1101	eng	P-Mathew Nebu	2014/03/03
	TOLERANCES UNLESS OTHERWISE SPECIFIED	chr	-	-
		appr	K-Paul Biju	2014/03/03
General Tolerances		surface	✓	ISO 1302
0 to 10mm: ±0.1mm	linear	0.X	±	
10 to 30mm: ±0.15mm		0.XX	±	
30 to 60mm: ±0.2mm		0.XXX	±	
60 and more: ±0.3mm	angular	0°	±°	

projection	mm	size	A3	scale	1:1
product family	MOBILE I/O	ecn no	ELX-15846-1	rel level	Released
title	8 POS. SMT E02 WITHOUT PEGS	dwg no	VJW54001	rev	J
www.fci.com	cat. no.	-	Product - Customer Drw	sheet 1 of 1	