



Chipsmall Limited consists of a professional team with an average of over 10 year of expertise in the distribution of electronic components. Based in Hongkong, we have already established firm and mutual-benefit business relationships with customers from,Europe,America and south Asia,supplying obsolete and hard-to-find components to meet their specific needs.

With the principle of “Quality Parts,Customers Priority,Honest Operation,and Considerate Service”,our business mainly focus on the distribution of electronic components. Line cards we deal with include Microchip,ALPS,ROHM,Xilinx,Pulse,ON,Everlight and Freescale. Main products comprise IC,Modules,Potentiometer,IC Socket,Relay,Connector.Our parts cover such applications as commercial,industrial, and automotives areas.

We are looking forward to setting up business relationship with you and hope to provide you with the best service and solution. Let us make a better world for our industry!



Contact us

Tel: +86-755-8981 8866 Fax: +86-755-8427 6832

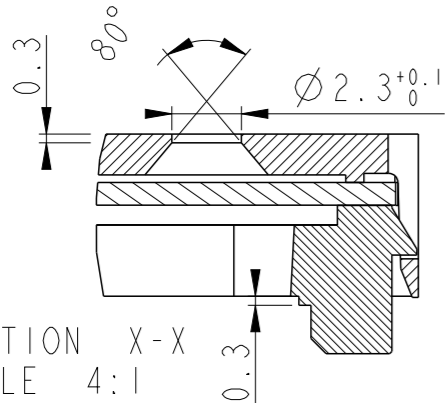
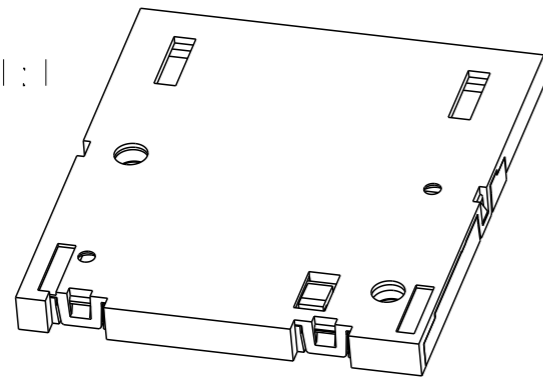
Email & Skype: info@chipsmall.com Web: www.chipsmall.com

Address: A1208, Overseas Decoration Building, #122 Zhenhua RD., Futian, Shenzhen, China

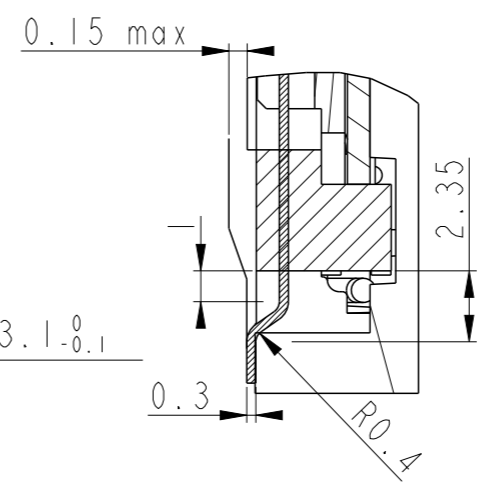
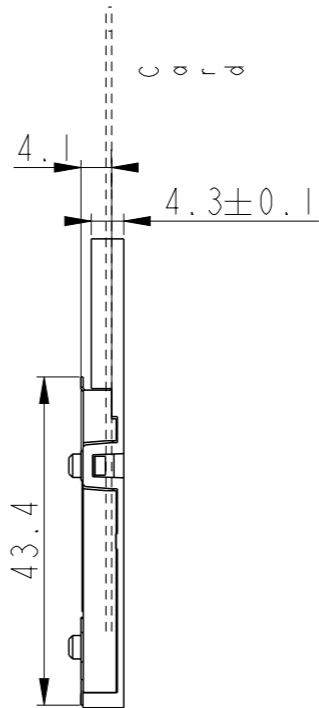
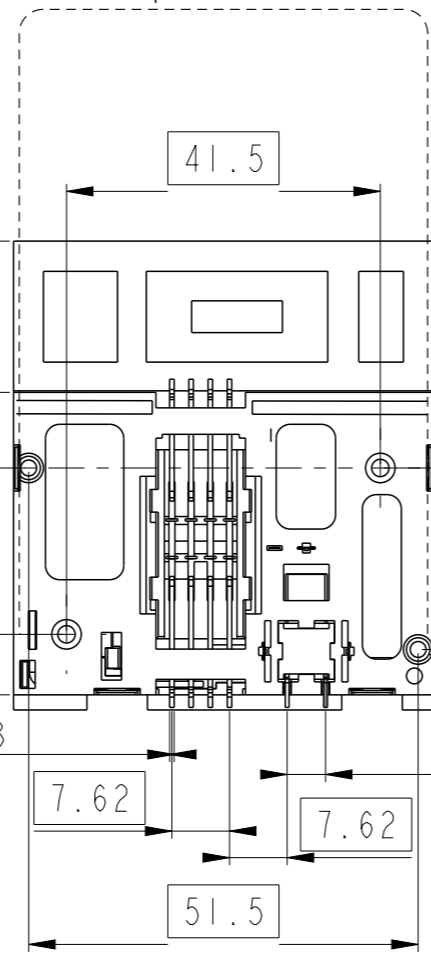
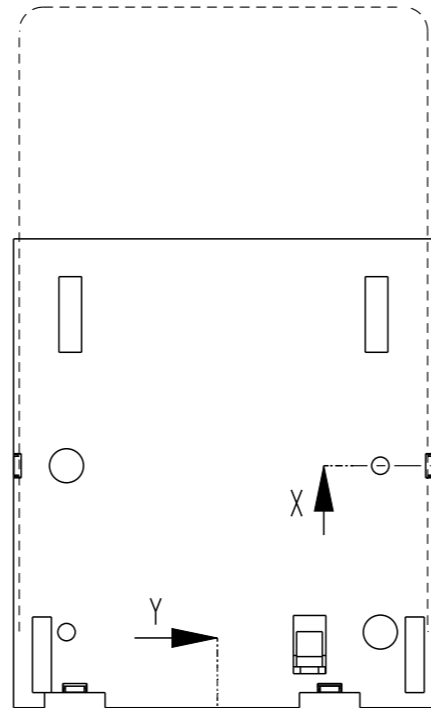
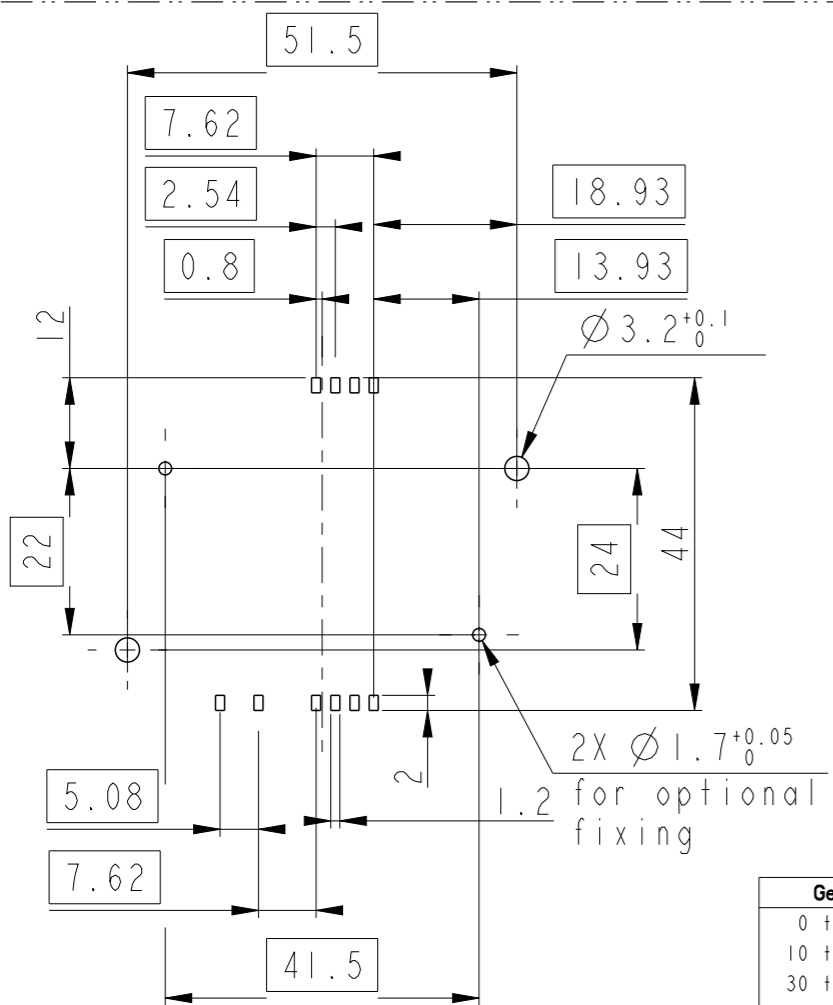


PART NUMBER 7312E0525S01LF

SCALE 1:1



Recommended PCB Layout
(Component side)



GENERAL :
High cycle life duration smart card connector with landing type contacts mechanism. The landing type connector also provides the feature of recessed contacts when card is not inserted which protects them against vandalism.
Smart card for reference purposes only.

ELECTRICAL PROPERTIES:
Insulation resistance : > 1000MΩ
Dielectric withstanding voltage : >750 Vrms
Current carrying capacity : Min 10μA, Max 1A
Contact resistance : < 100mΩ

MECHANICAL PROPERTIES :
Operating force : Insertion : F < 10N
Withdrawal : 1 < F < 10N
Contact Normal force : 0.2 < F < 0.3 for 0.6mm of deflection
Durability : 200 000 mating cycles

MATERIAL :
Head reader : High temp. Thermoplastic, Colour Black, Rated UL94V0
Cover : Thermoplastic, Colour black, Rated UL94V0
Contacts : Copper alloy,
Plating : 2.5μm Nickel min. all over
2μm Gold min. or equivalent on contact area
3μm matte tin min. on solder tails (for lead free version)

ENVIRONMENT :
Operating temperature : -40°C / +85°C
Climatic conditions : UTE 93-421

PACKAGING :
READER: Plastic Cavity Tray
COVER : Separately in SACHET 400x600
240cnrs/box, 120cnrs/sachet

LEAD FREE VERSION :
"This product meets European Union Directives and other country regulations as described in GS-47-0004"
The reader housing (not cover) will withstand exposure to 260°C peak temperature for 10seconds in a convection reflow oven.

spec ref	--	dr	P-Mathew Nebu	2011/05/04
tolerance std	ISO 406 ISO 1101	eng	Ashok, Abhiman	2018/07/20
	TOLERANCES UNLESS OTHERWISE SPECIFIED	chr	-	-
		appr	K-Paul Biju	2018/07/20
surface	ISO 1302	linear	0.X	±
			0.XX	±
			0.XXX	±
		angular	0°	±°

projection	mm	size	A3	scale	1:1
		ecn no	ELX-I-30746-1		
product family	MOBILE I/O	rel level	Released		
title	8 POS. SMT E05 WITH PEGS	dwg no	VJW53787	rev	H
	SMART CARD READER VXX 27787				
cat. no.	See Table	Product - Customer Drw	sheet 1 of 1		

General Tolerances	
0 to 10mm:	±0.1mm
10 to 30mm:	±0.15mm
30 to 60mm:	±0.2mm
60 and more:	±0.3mm

© 2016 AFCI Amphenol FCI