



Chipsmall Limited consists of a professional team with an average of over 10 year of expertise in the distribution of electronic components. Based in Hongkong, we have already established firm and mutual-benefit business relationships with customers from,Europe,America and south Asia,supplying obsolete and hard-to-find components to meet their specific needs.

With the principle of "Quality Parts,Customers Priority,Honest Operation,and Considerate Service",our business mainly focus on the distribution of electronic components. Line cards we deal with include Microchip,ALPS,ROHM,Xilinx,Pulse,ON,Everlight and Freescale. Main products comprise IC,Modules,Potentiometer,IC Socket,Relay,Connector.Our parts cover such applications as commercial,industrial, and automotives areas.

We are looking forward to setting up business relationship with you and hope to provide you with the best service and solution. Let us make a better world for our industry!



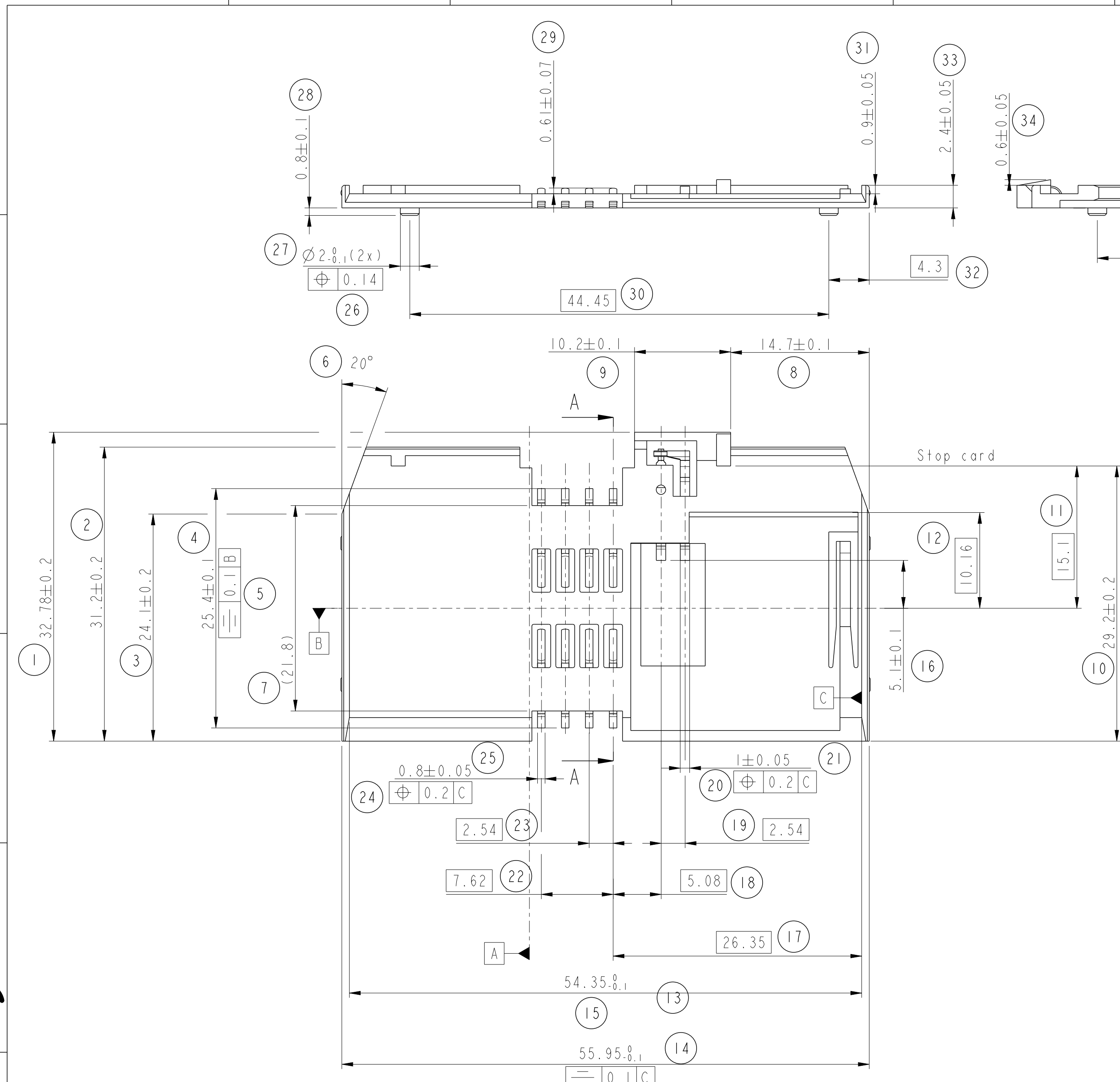
Contact us

Tel: +86-755-8981 8866 Fax: +86-755-8427 6832

Email & Skype: info@chipsmall.com Web: www.chipsmall.com

Address: A1208, Overseas Decoration Building, #122 Zhenhua RD., Futian, Shenzhen, China





7312P002XA13LF

Durability
 4: 50000 Mating Cycles
 5: 100000 Mating Cycles

DESCRIPTION
 Connector especially designed for SMT technology
 EMV compatible and in accordance with ISO 7816-2

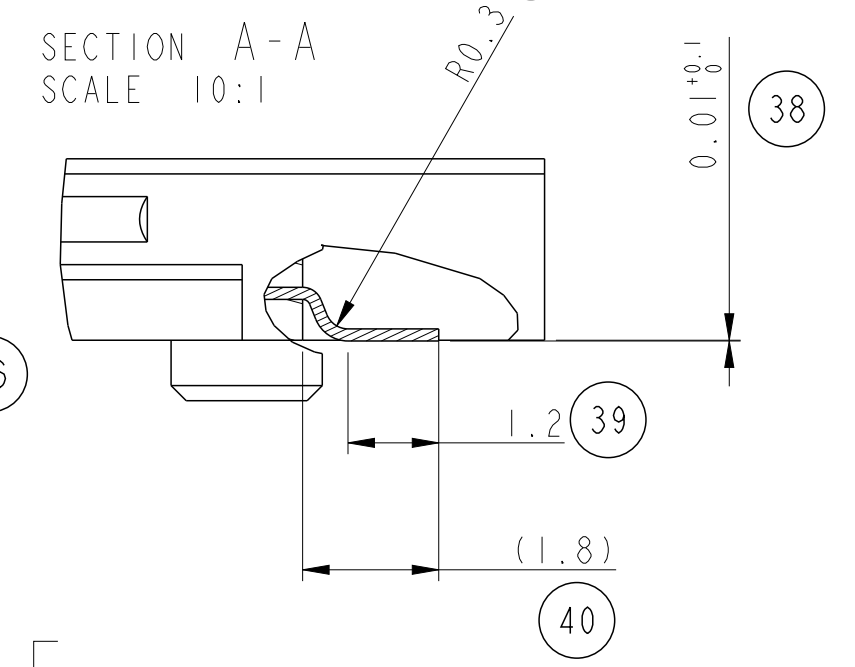
MECHANICAL
 Contacts force : between 0.2N-0.5N
 Insertion force : 10N max
 Extraction force : 3N min

ELECTRICAL
 Insulation resistance : 1000MOhms
 Dielectric withstand voltage between card contacts
 and detection switch : 1000 Vrms
 Contact resistance: 100mOhms
 Current carrying : min 10 microA max 1A

SWITCH
 Contact closed : contact resistance 100mOhms
 Open contact : voltage proof 300Vms

MATERIAL
 Contacts : copper alloy
 Plating : Gold / Equivalent PdNi over Nickel on contact area
 Solder tails : Sn bare edge allowed
 Housing : self extinguishing, Thermoplastic
 UL94-V0 rated

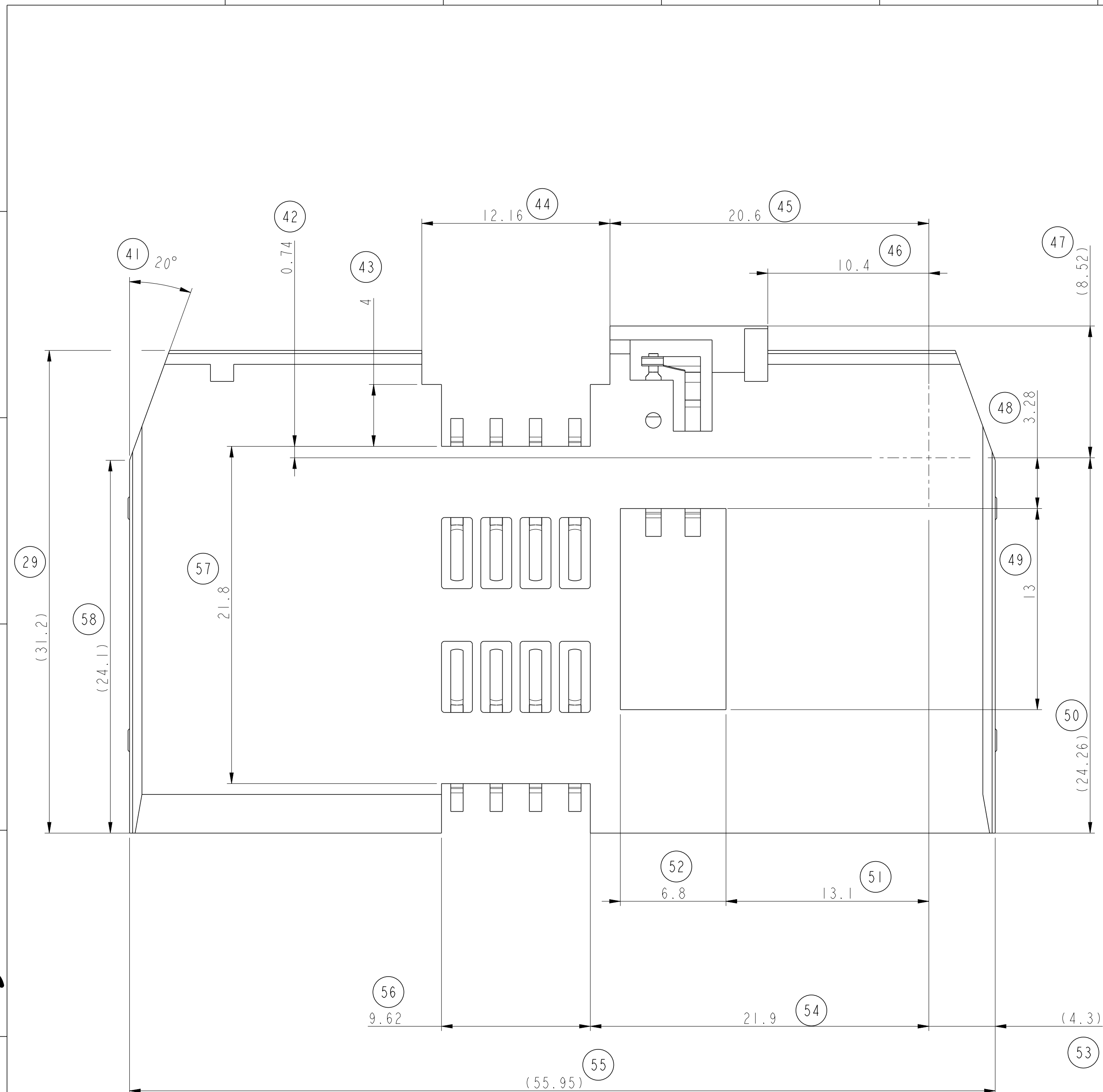
ENVIRONMENT
 Storage temperature : -40°C, +85°C
 Operating temperature : -20°C, +70°C
 Packaging : Tray
 Compatible reflow soldering process



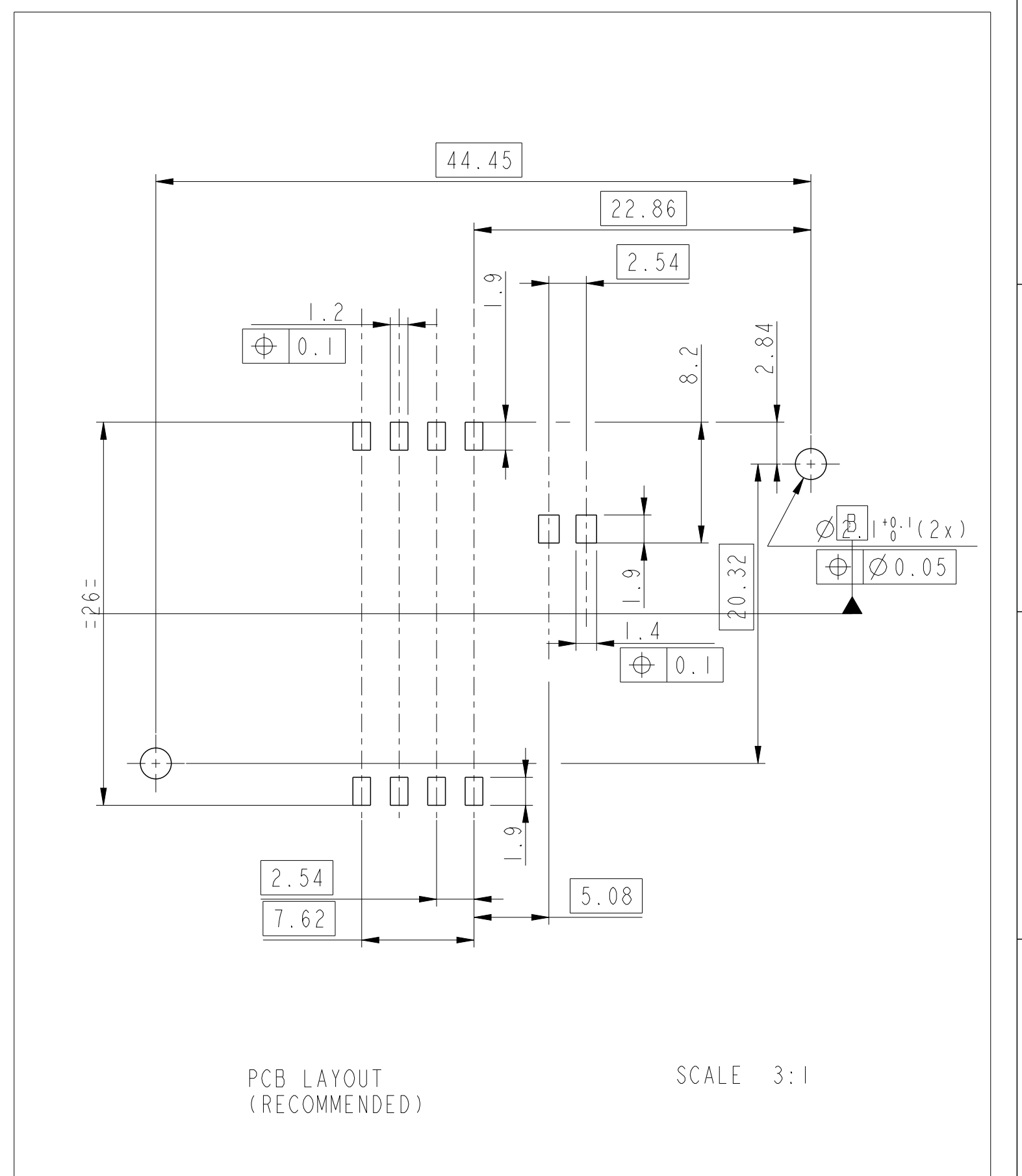
rev	ecn no	dr	date
A	F20307	-	02/04/30
B	LS2038	PRI	02/06/10
C	LS05-0047	LGO	05/06/08
D	LS05-0059	HLE	05/06/30
E	LS06-0206	HLE	2006/12/11
F	109-0239	RPK	2009/10/30

www.fciconnect.com		surface -- ✓	tolerance std	projection	mm
		ISO 1302	ISO 406 ISO 1101	⊕	←
TOLERANCES UNLESS OTHERWISE SPECIFIED					
Dr	BERNARDET	96/08/23	ANGULAR	0.x ±0.3	size A2 Scale 3:1
Eng	GAMACHO	96/08/23	LINEAR	0.xx ±0.1	
Chr	CAILLER	96/08/23	0° ±2°	0.xxx ±0.05	ECN 109-0239
Appr	GAMACHO	96/08/23	Product family	MOBILE I/O	Spec ref --
FCJ CHIP CARD CONNECTOR				kg no	Rev. F
TYPE : P00 (8cts without cover)				VJW53664	
catalog no 7312P0025A13				CUSTOMER	sheet 1 of 2

Copyright FCJ



LAYOUT FOR KEEP OUT ZONE
(CONNECTOR SIDE)



NOTE: RoHS INFORMATIONS

- The "LF" products meet European Union Directives and other country regulations as described in GS-22-008.
- The housing will withstand exposure to 260°C peak temperature for 30 seconds in a convection, infra-red or vapor reflow oven. See Application notes/procedures, if they are available.
- Packaging spec: see GS-14-920

www.fciconnect.com		surface -- ✓	tolerance std	projection	mm
		ISO 1302	ISO 406 ISO 1101		
TOLERANCES UNLESS OTHERWISE SPECIFIED					
Dr	BERNARDET	96/08/23	ANGULAR	0.X ±0.3	size A2
Eng	GAMACHO	96/08/23	LINEAR	0.XX ±0.1	Scale 5:1
Chr	CAILLER	96/08/23	0° ±2°	0.XXX ±0.05	ECN 109-0239
Appr	GAMACHO	96/08/23	Product family	MOBILE I/O	Spec ref --
FCI		TITLE CHIP CARD CONNECTOR		dwg no	Rev.
		TYPE : P00 (8cts without cover)		VJW53664	F
		catalog no 7312P0025A13		CUSTOMER	sheet 2 of 2