



Chipsmall Limited consists of a professional team with an average of over 10 year of expertise in the distribution of electronic components. Based in Hongkong, we have already established firm and mutual-benefit business relationships with customers from,Europe,America and south Asia,supplying obsolete and hard-to-find components to meet their specific needs.

With the principle of “Quality Parts,Customers Priority,Honest Operation,and Considerate Service”,our business mainly focus on the distribution of electronic components. Line cards we deal with include Microchip,ALPS,ROHM,Xilinx,Pulse,ON,Everlight and Freescale. Main products comprise IC,Modules,Potentiometer,IC Socket,Relay,Connector.Our parts cover such applications as commercial,industrial, and automotives areas.

We are looking forward to setting up business relationship with you and hope to provide you with the best service and solution. Let us make a better world for our industry!



## Contact us

Tel: +86-755-8981 8866 Fax: +86-755-8427 6832

Email & Skype: info@chipsmall.com Web: www.chipsmall.com

Address: A1208, Overseas Decoration Building, #122 Zhenhua RD., Futian, Shenzhen, China



LEAD FREE CATALOGUE NUMBER

7712P0225A25LF

7312P0225A13LF



**NOTES:**

**DESCRIPTION**

Connector especially designed for SMT technology  
EMV compatible and in accordance with ISO 7816-2

**MECHANICAL**

Contacts force : between 0.2N-0.5N  
Durability : 100000 cycles  
Insertion force : 10 N max  
Extraction force : 1 N min

**ELECTRICAL**

Insulation resistance : 1000MOhms  
Dielectric withstand voltage between card contacts and detection switch : 1000 Vrms  
contact resistance:100 miliohms  
Current carrying : min 10 micro A max 1A

**SWITCH**

Contact closed : contact resistance 100mOhms  
Open contact : voltage proof 300Vms

**MATERIAL**

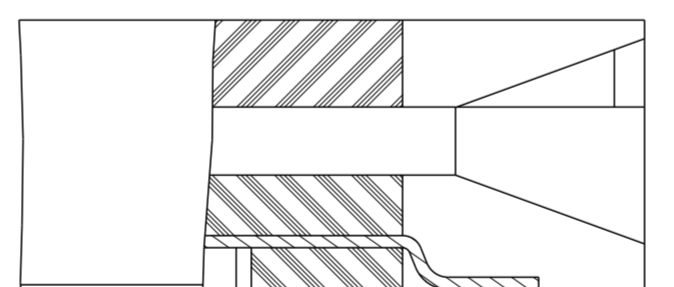
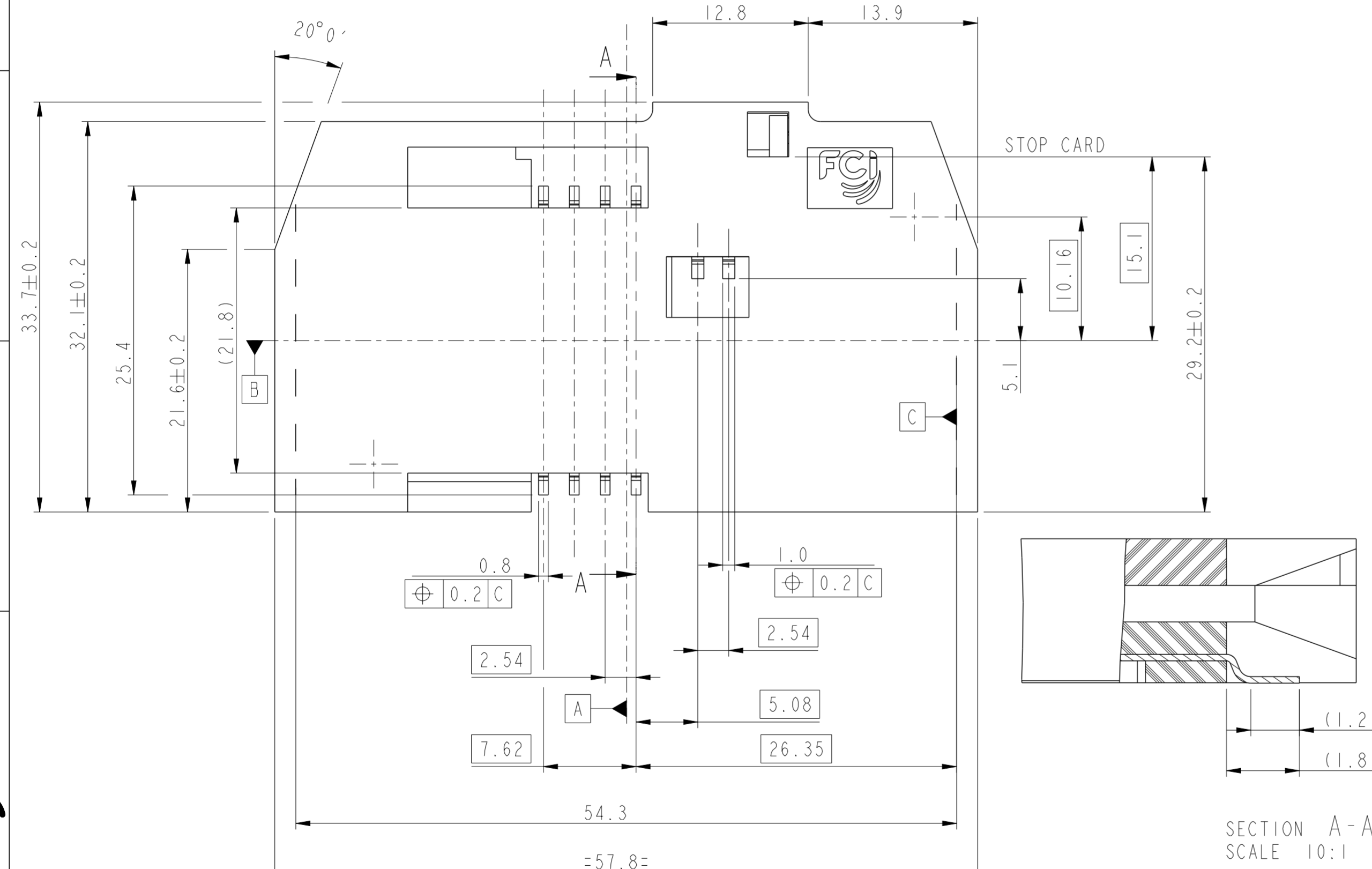
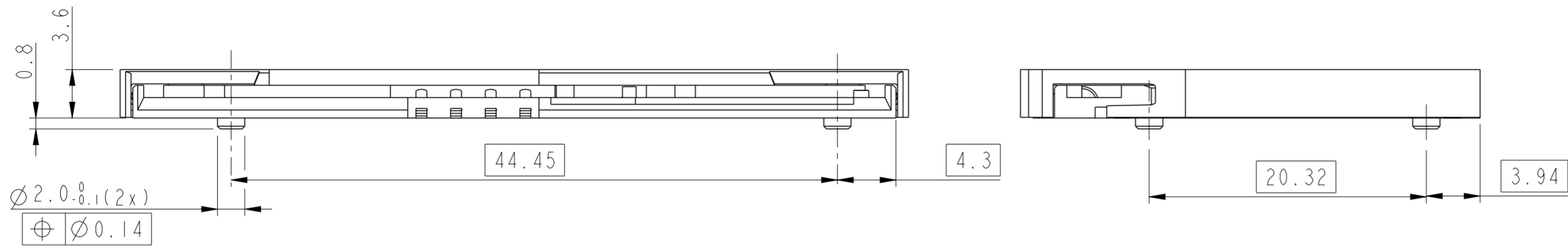
Contacts : copper alloy  
Cover :  
Color for LF part : Natural  
Plating : Gold / Equivalent PdNi over Nickel on contact area  
Solder tails : Sn bare edge allowed  
Housing : self extinguishing, Thermoplastic  
UL94-V0 rated

**ENVIRONMENT**

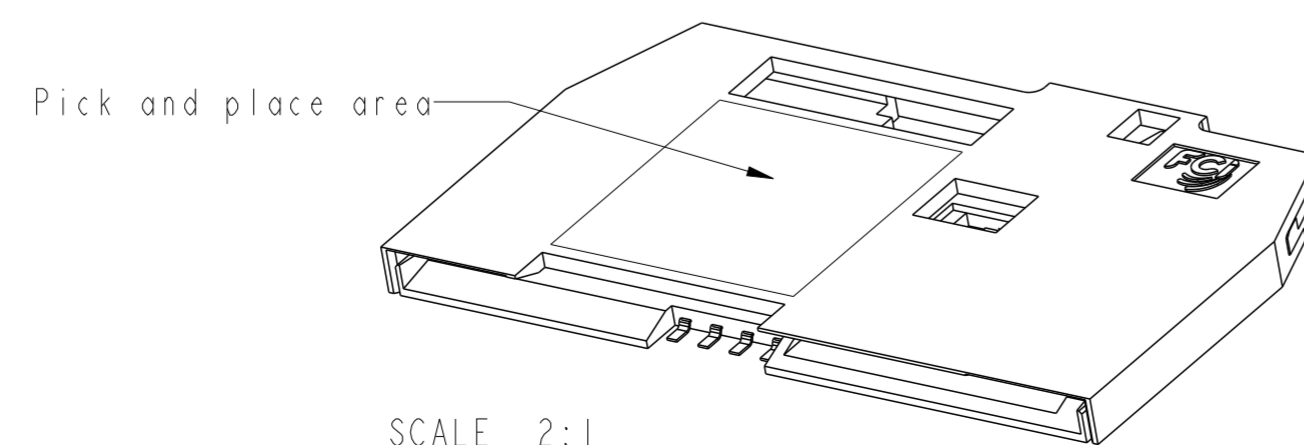
Storage temperature : -40°C, +85°C  
Operating temperature : -20°C, +70°C  
Packaging : Tray  
Compatible reflow soldering process

**NOTE: RoHS INFORMATIONS**

-The "LF" products meet European Union Directives and other country regulations as described in GS-47-0004 .  
- The housing will withstand exposure to 260°C peak temperature for 30 seconds in a convection, infra-red or vapor reflow oven. See Application notes/procedures, if they are available.  
- Packaging spec: see GS-14-920



SECTION A-A  
SCALE 10:1

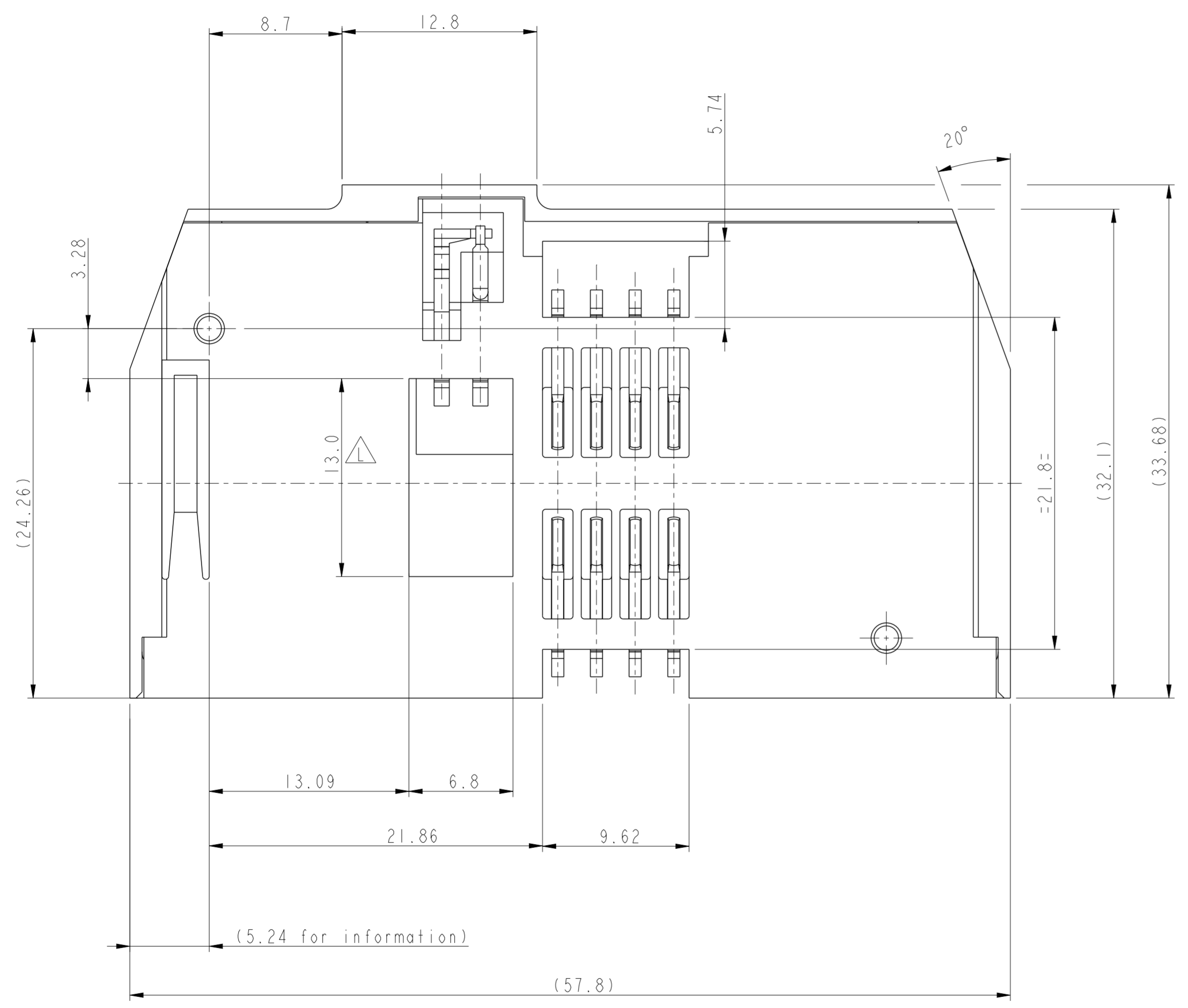


spec ref	SEE NOTES	dr	P-Mathew Nebu	2014/09/27	projection	mm	size	A2	scale	3:1
tolerance std	TOLERANCES UNLESS OTHERWISE SPECIFIED	eng	P-Mathew Nebu	2014/10/08		mm	ecn no	ELX-I-18989-1	rel level	Released
ISO 406		chr	-							
ISO 1101		appr	K-Paul Biju	2014/10/08	product family	MOBILE I/O	cat. no.	VJW53666	rev	L
surface	linear	angular	0°	±2°			TITLE: CHIP CARD CONNECTOR TYPE : P02 (8 cts with cover)		sheet 1 of 3	
ISO 1302	0.X ±0.3 0.XX ±0.1 0.XXX ±0.05	www.fci.com		cat. no.	SEE TABLE	Product - Customer Drw				

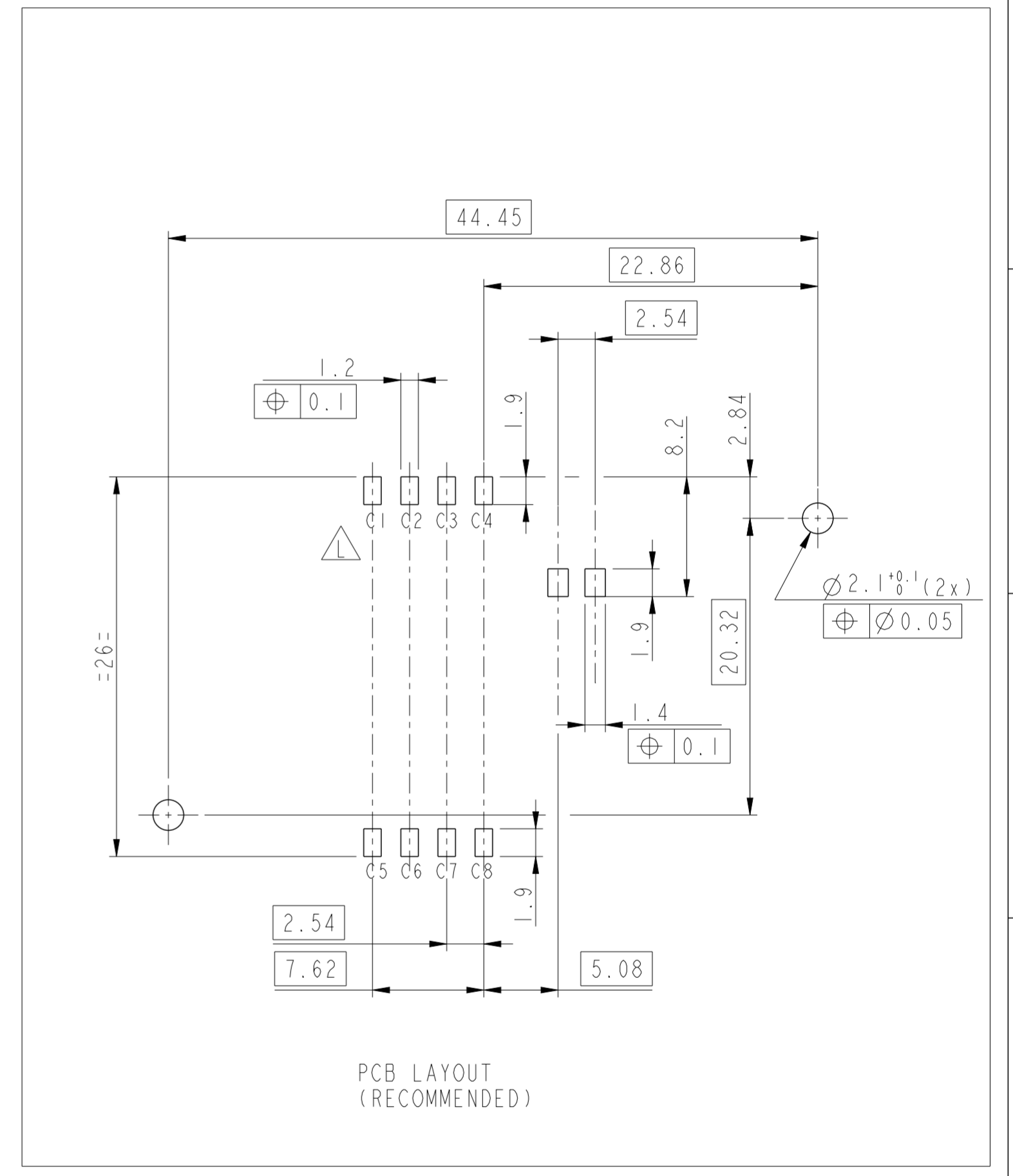


Copyright FCI.

LEAD FREE CATALOGUE NUMBER  
 7712P0225A25LF  
 7312P0225A13LF



LAYOUT FOR KEEP OUT ZONE  
 (CONNECTOR SIDE)



PCB LAYOUT  
 (RECOMMENDED)



Copyright FCI.

spec ref	SEE NOTES	dr	P-Matthew Nebu	2014/09/27	projection	mm	size	A2	scale	4:1
tolerance std	TOLERANCES UNLESS OTHERWISE SPECIFIED	eng	P-Matthew Nebu	2014/10/08		mm	ecn no	ELX-18989-1		
ISO 406		chr	-	rel level				Released		
ISO 1101		appr	K-Paul Biju	2014/10/08	product family	MOBILE I/O	rel level	Released		
surface	linear				title	CHIP CARD CONNECTOR		dwg no	VJW53666	
ISO 1302	angular	www.fci.com			TYPE :	P02 (8 cts with cover)		rev	L	
					cat. no.	SEE TABLE	Product - Customer Drw	sheet 2 of 3		

PDS: Rev :L

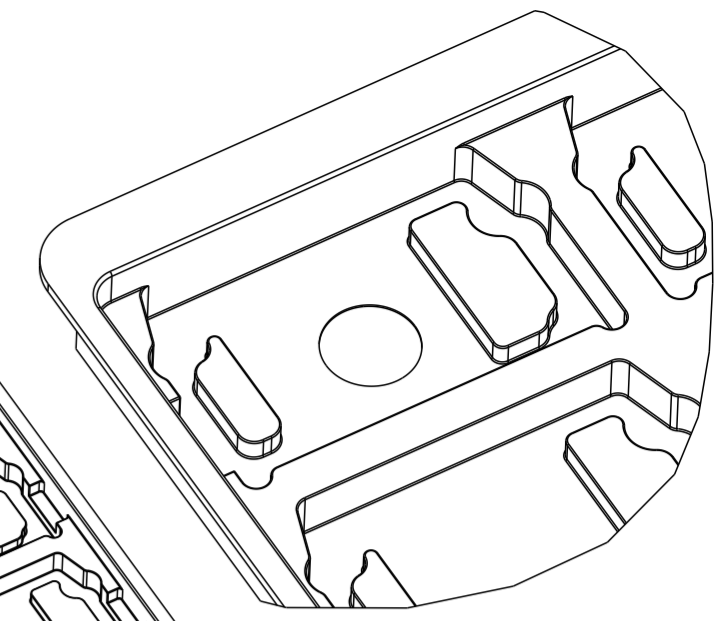
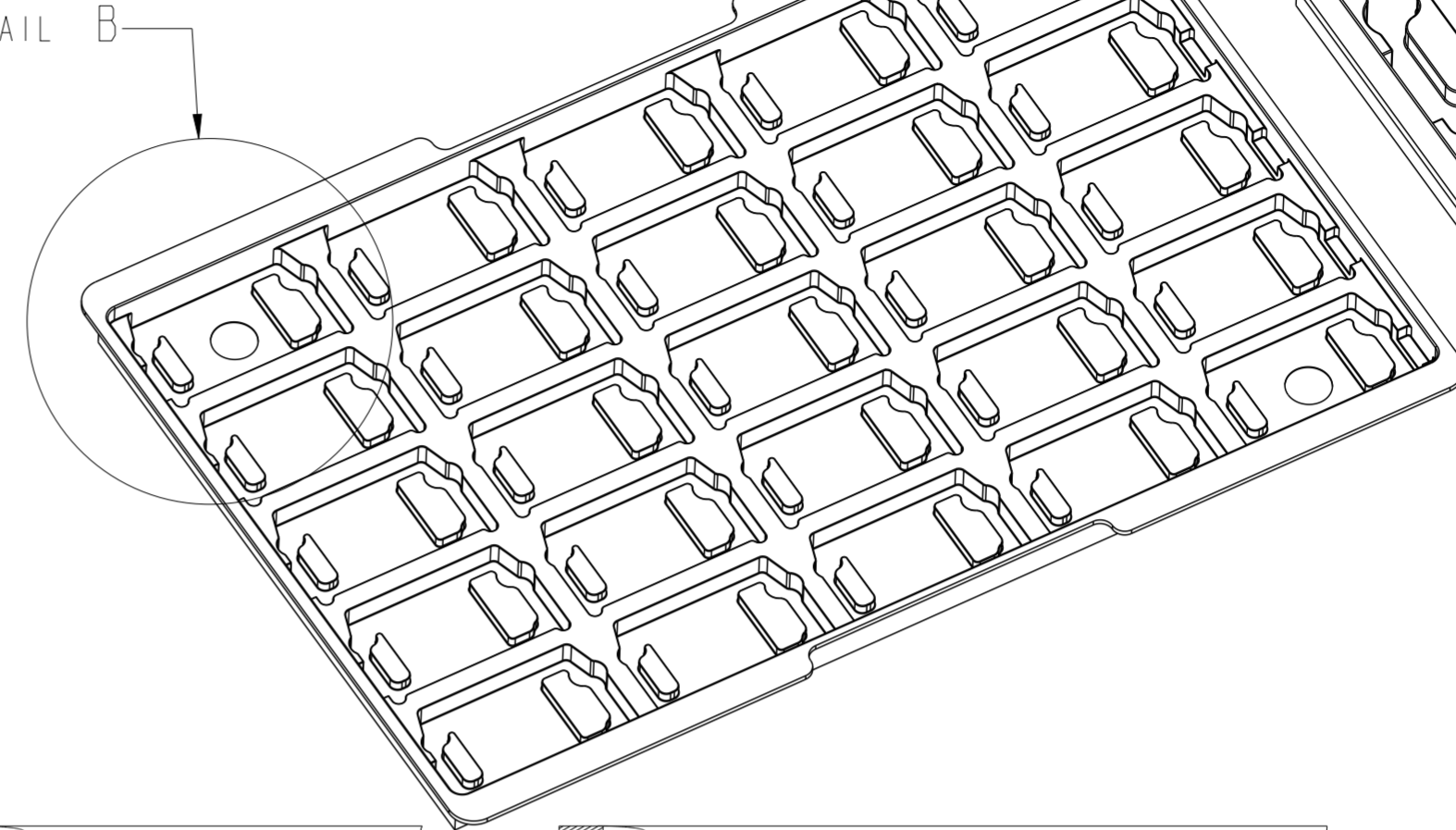
STATUS:Released

Printed: Oct 08, 2014

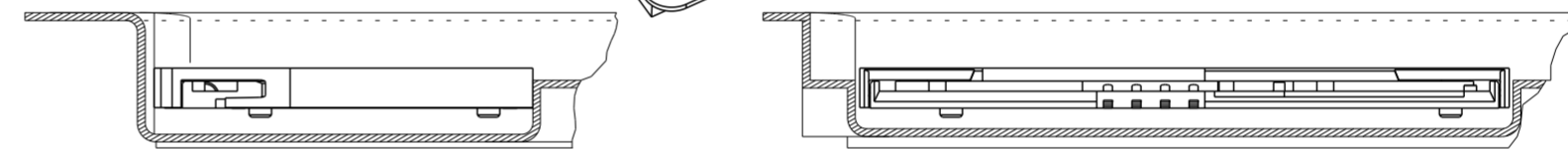
7712P0225A25LF

FOR PICK AND PLACE VERSION

SEE DETAIL B



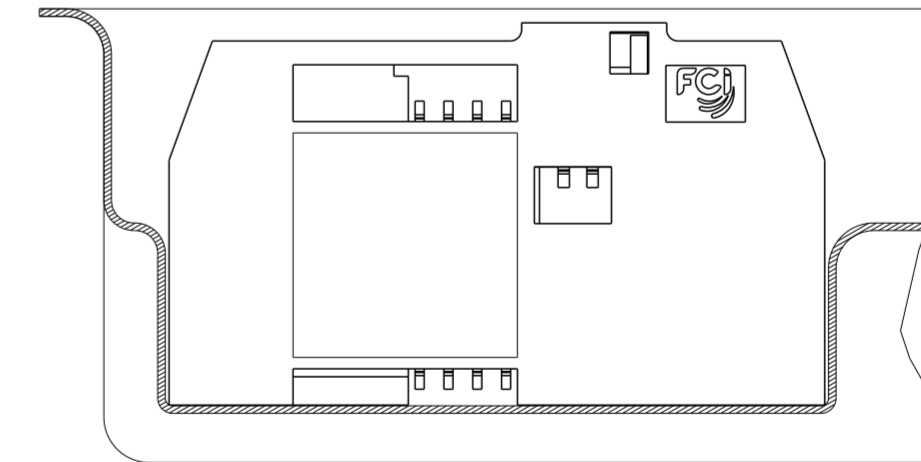
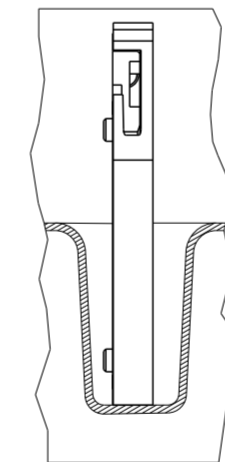
DETAIL B  
SCALE 1:1



HORIZONTAL PLACEMENT

7312P0225A13LF

STANDARD VERSION



VERTICAL PLACEMENT

PACKAGING

P / N	Quantity by Tray	Trays Material Detail
7712P0225A25LF	25 Horizontal Placement	Antistatic
7312P0225A13LF	100 Vertical Placement	No Antistatic

spec ref	SEE NOTES	dr	P-Matthew Nebu	2014/09/27	projection	mm	size	A2	scale	3:2
tolerance std	TOLERANCES UNLESS OTHERWISE SPECIFIED	eng	P-Matthew Nebu	2014/10/08		mm	ecn no	ELX-18989-1	rel level	Released
ISO 406		chr	-	product family						
ISO 1101		appr	K-Paul Biju	2014/10/08			cat. no.	SEE TABLE	Product - Customer Drw	sheet 3 of 3
surface	ISO 1302	linear	0.X	±0.3			title	CHIP CARD CONNECTOR	dwg no	VJW53666
			0.XX	±0.1			TYPE :	P02 (8 cts with cover)	rev	L
		angular	0°	±2°			cat. no.	SEE TABLE	Product - Customer Drw	sheet 3 of 3

