



Chipsmall Limited consists of a professional team with an average of over 10 year of expertise in the distribution of electronic components. Based in Hongkong, we have already established firm and mutual-benefit business relationships with customers from,Europe,America and south Asia,supplying obsolete and hard-to-find components to meet their specific needs.

With the principle of “Quality Parts,Customers Priority,Honest Operation,and Considerate Service”,our business mainly focus on the distribution of electronic components. Line cards we deal with include Microchip,ALPS,ROHM,Xilinx,Pulse,ON,Everlight and Freescale. Main products comprise IC,Modules,Potentiometer,IC Socket,Relay,Connector.Our parts cover such applications as commercial,industrial, and automotives areas.

We are looking forward to setting up business relationship with you and hope to provide you with the best service and solution. Let us make a better world for our industry!



Contact us

Tel: +86-755-8981 8866 Fax: +86-755-8427 6832

Email & Skype: info@chipsmall.com Web: www.chipsmall.com

Address: A1208, Overseas Decoration Building, #122 Zhenhua RD., Futian, Shenzhen, China



CHARACTERISTICS

GENERAL:

This S07 connector is suitable for narrow space portable applications. It has an integral card detection switch.

ELECTRICAL PROPERTIES:

Insulation resistance : > 1000MΩ
 Dielectric withstanding voltage : > 1000 Vrms
 Current carrying capacity : min 10micronsA, MAX 1A
 Contact resistance : GSM II-II standard
 Card sensor type : Normally closed
 Voltage US : 5V ±0.1V with R=560 Ω

MECHANICAL PROPERTIES:

Contact Normal force : GSM II-II standard
 Durability : 10 000 card insertions

MATERIAL:

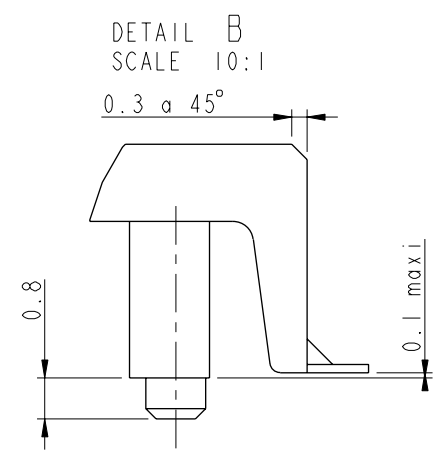
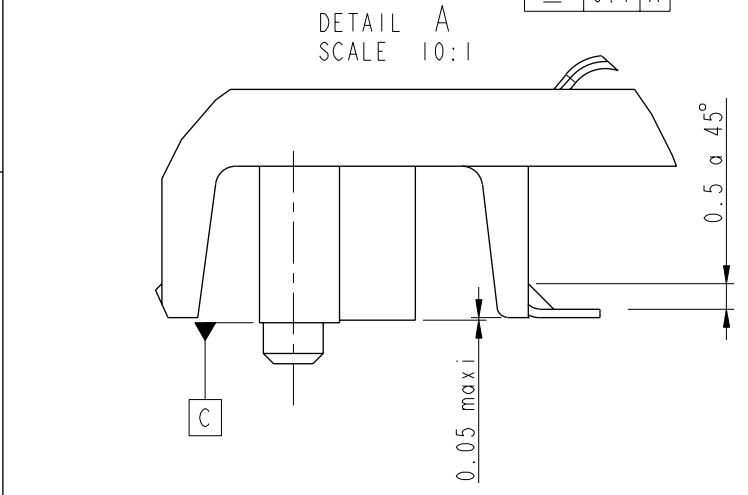
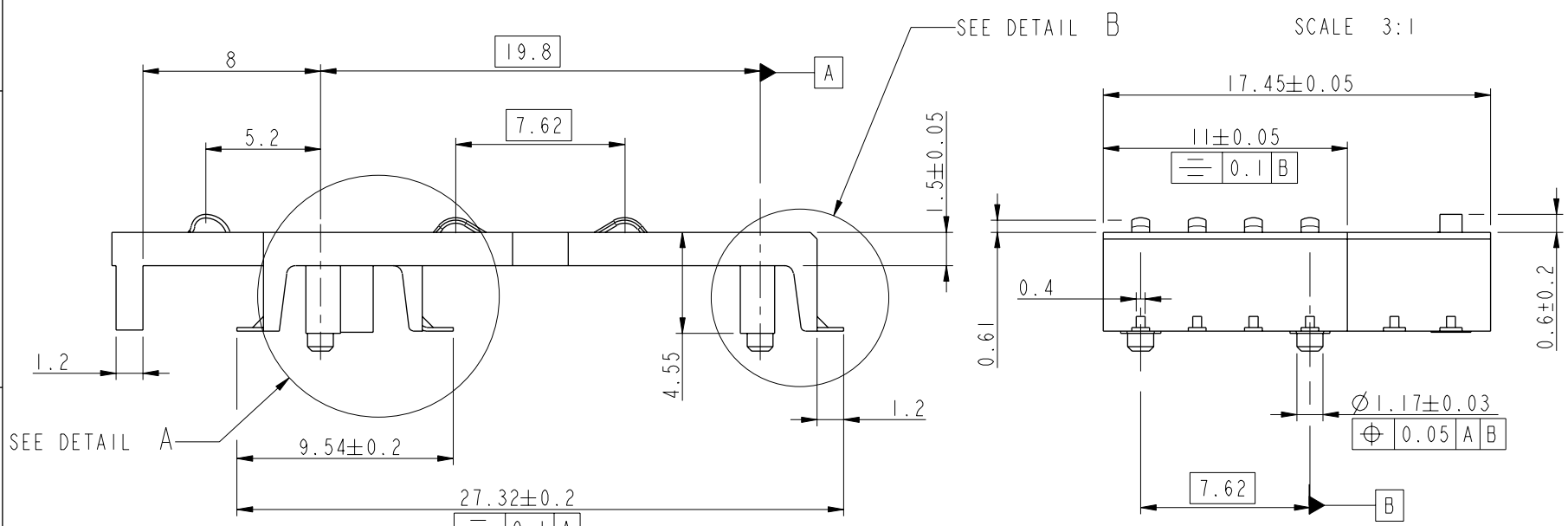
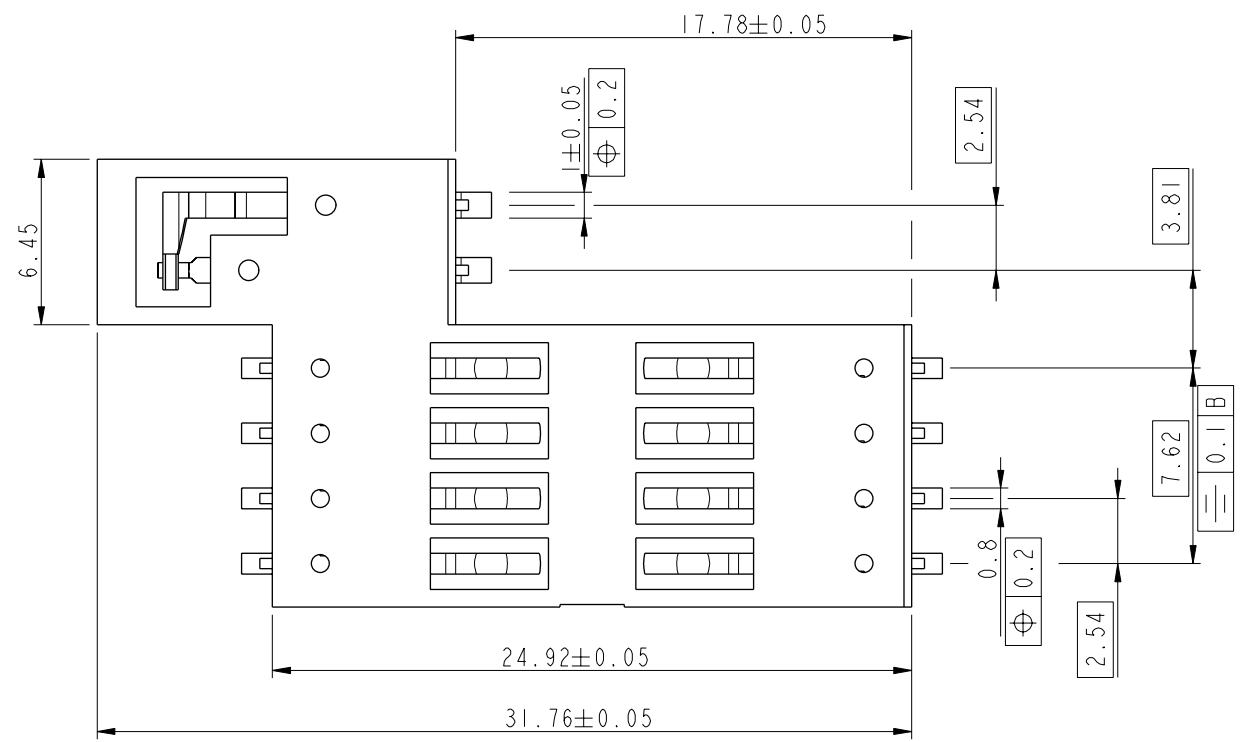
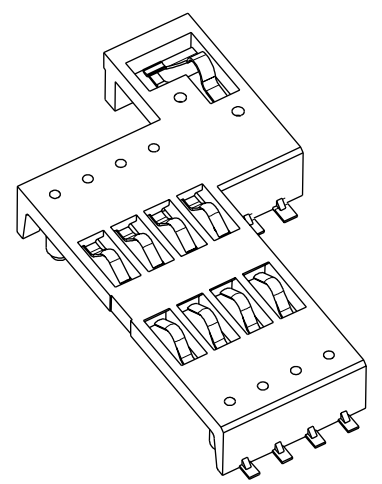
Housing : High Temperature Thermoplastic, colour Black, Rated UL94V0
 Contacts and switch : Copper Alloy, Thickness 0.16mm
 Plating : precoat Ni 2.5 microns min. all over
 - Contacts : Gold over Nickel on contact areas
 - Switch : Gold over Nickel on functional areas
 Bare edge allowed,
 Lead Free (Sn) on soldertails.

ENVIRONNEMENT:

Operating temperature : -40 °C / +90 °C
 Reflow soldering for Lead Free version : see note RoHs informations
 Climatic conditions : UTE C 93-421

APPLICATION DOCUMENT:

Product specification VGN11406/A



LEAD FREE PART NUMBER	Number of contacts
7312S0725A05LF	08

rev	ecn no	dr	date
A	-	-	-
B	LS03-0006	JG	23/03/02
C	LS05-0029	LGD	05/04/04
D	LS05-0058	HLE	29/06/05
E	LS06-0115	HLE	02/07/06
F	108-0028	PKR	25/02/2008
G	109-0019	PKR	06/02/2009

www.fciconnect.com		surface - ✓	tolerance std	projection	mm
		ISO 1302	ISO 406 ISO 1101	⊕	←→
		TOLERANCES UNLESS OTHERWISE SPECIFIED			
Dr	D.LEGRAND	02/04/29	ANGULAR	0.X	±0.3
Eng	F.TISSERAND	02/04/29	LINEAR	0.XX	±0.1
Chr	--	--	0° ±2°	0.XXX	±0.05
Appr	--	--	Product family		size A2
				ECN	109-0019
				Spec ref	
Title			VJW 54511 CMS		Scale 5:1
S07 BRIDGE			VJW54511		Rev. G
catalog no			SEE NOTE	CUSTOMER	sheet 1 of 2

Copyright FCJ

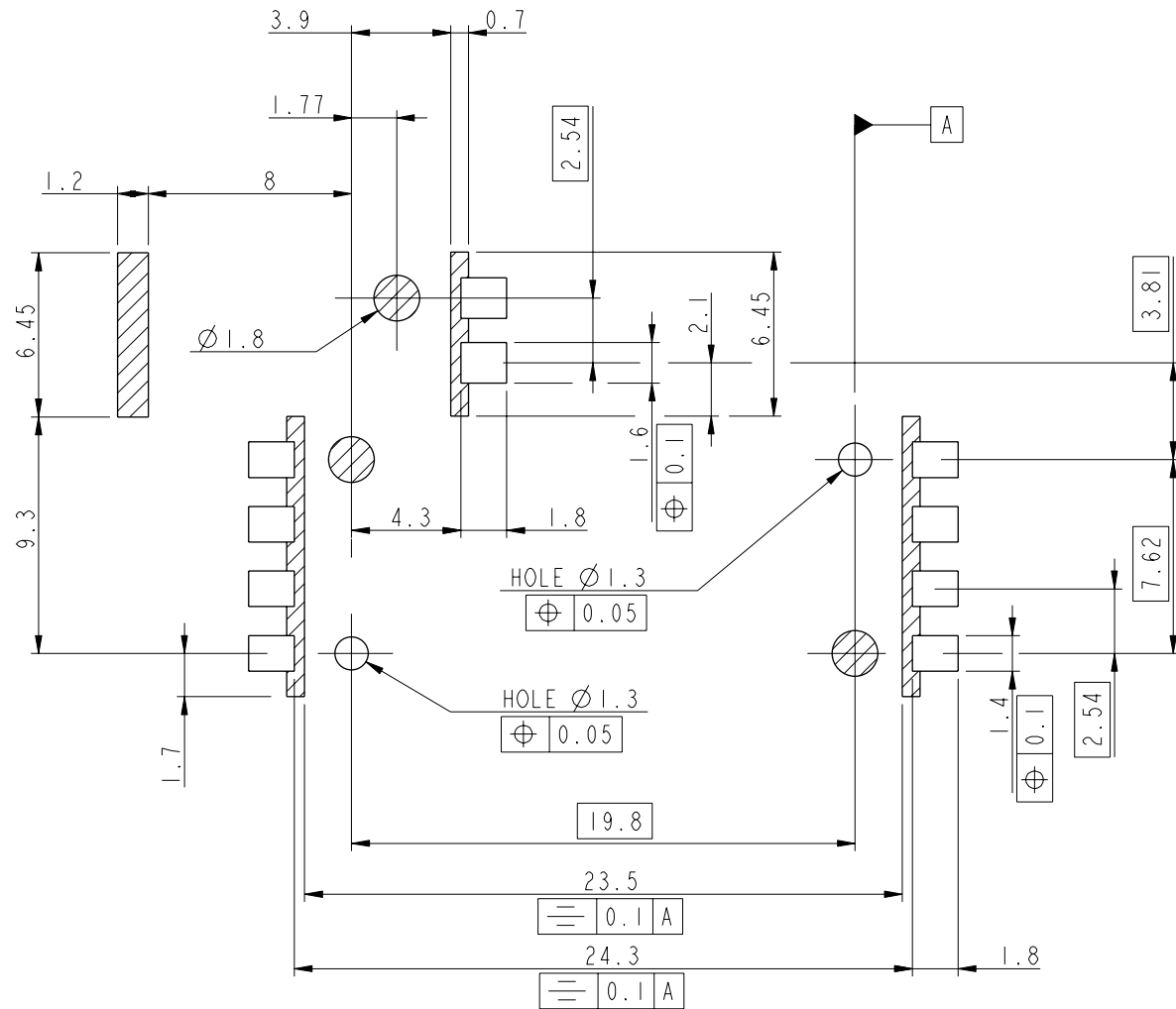
PCB RECOMMENDED LAYOUT

IN ALL CASE, WE GUARANTEE THE FUNCTIONALITY OF THE SWITCH WITH A MAXIMUM DISTANCE BETWEEN THE CARD READER AND THE CARD OF 0.3mm.

NOTE RoHS INFORMATIONS

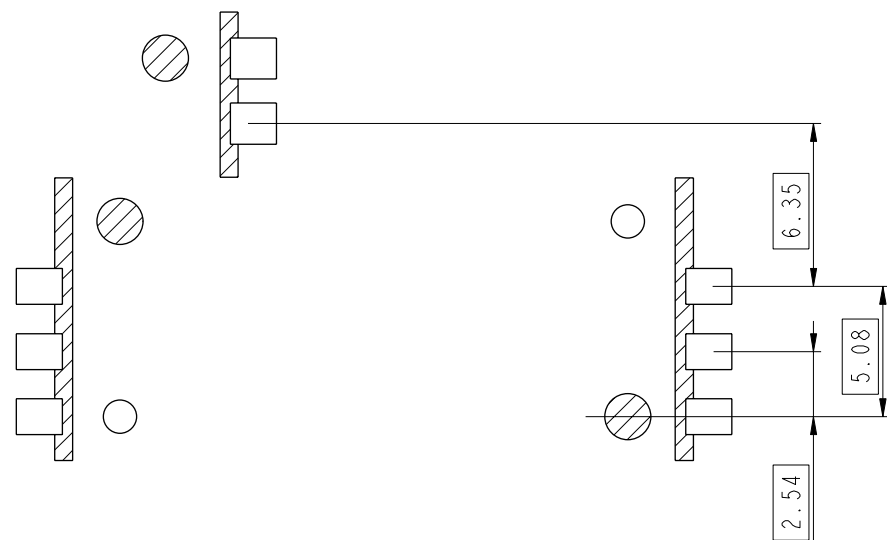
- The "LF" products meet European Union Directives and other country regulations as described in GS-22-008
- The housing will withstand exposure to 260°C peak temperature for 30 seconds in a convection, infra-red or vapor reflow oven. See application notes/procedures if they are available.
- Packaging spec: see GS-14-920

CONFIGURATION 8 CONTACTS
(CONNECTOR SIDE)

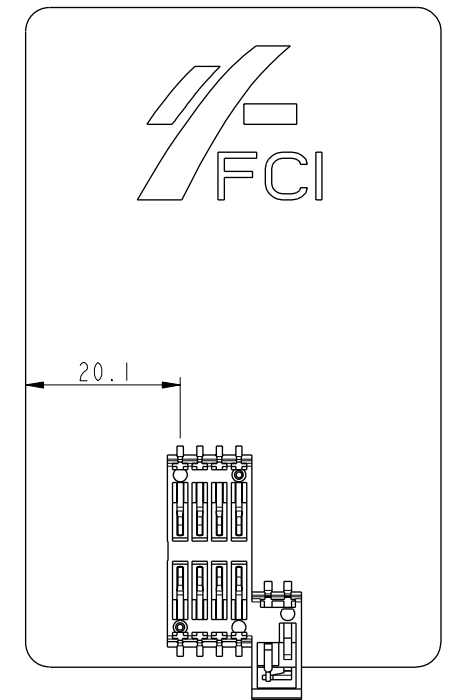
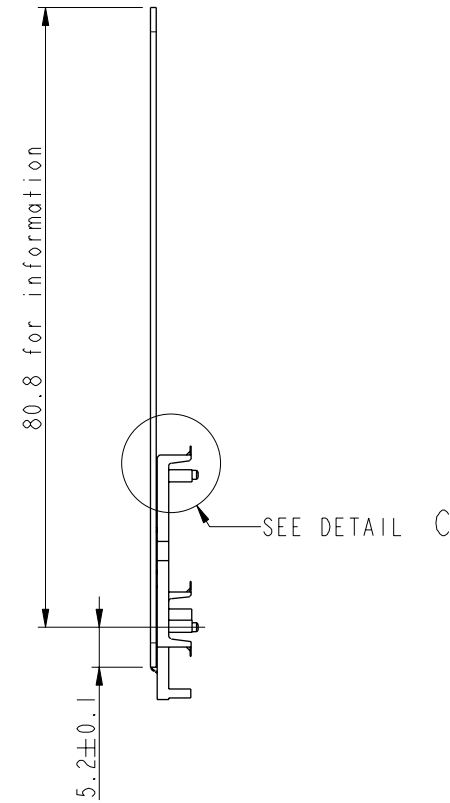


XHATCH ZONES
AREA WITHOUT COMPONENT

CONFIGURATION 6 CONTACTS
(CONNECTORS SIDE)



CARD
INSERTION



DETAIL C
SCALE 7:1

www.fciconnect.com		surface	ISO 1302	tolerance std	ISO 406	ISO 1101	projection	mm
		TOLERANCES UNLESS OTHERWISE SPECIFIED						
Dr	D. LEGRAND	02/04/29	ANGULAR	0.X	±0.3		size	Scale
Eng	F. TISSERAND	02/04/29	LINEAR	0.XX	±0.1		A2	5:1
Chr	--	--	0° ±2°	0.XXX	±0.05		ECN	109-0019
Appr	--	--	Product family		-		Spec ref	
		Title			VJW 54511 CMS		Rev.	
		S07 BRIDGE			VJW54511		G	
		catalog no			SEE NOTE		CUSTOMER	
					sheet 2 of 2			