



Chipsmall Limited consists of a professional team with an average of over 10 year of expertise in the distribution of electronic components. Based in Hongkong, we have already established firm and mutual-benefit business relationships with customers from,Europe,America and south Asia,supplying obsolete and hard-to-find components to meet their specific needs.

With the principle of "Quality Parts,Customers Priority,Honest Operation,and Considerate Service",our business mainly focus on the distribution of electronic components. Line cards we deal with include Microchip,ALPS,ROHM,Xilinx,Pulse,ON,Everlight and Freescale. Main products comprise IC,Modules,Potentiometer,IC Socket,Relay,Connector.Our parts cover such applications as commercial,industrial, and automotives areas.

We are looking forward to setting up business relationship with you and hope to provide you with the best service and solution. Let us make a better world for our industry!



## Contact us

Tel: +86-755-8981 8866 Fax: +86-755-8427 6832

Email & Skype: info@chipsmall.com Web: www.chipsmall.com

Address: A1208, Overseas Decoration Building, #122 Zhenhua RD., Futian, Shenzhen, China



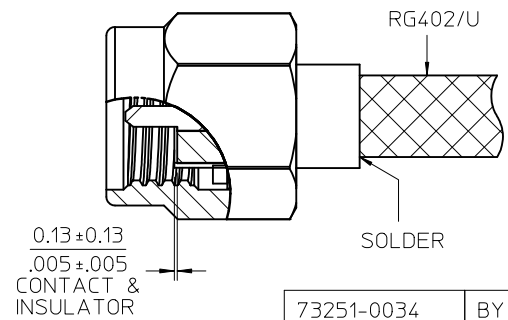
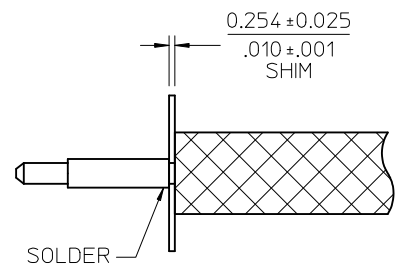
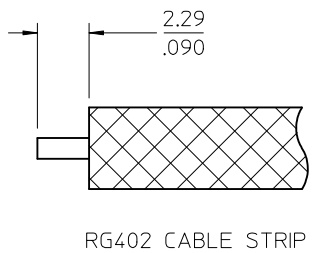
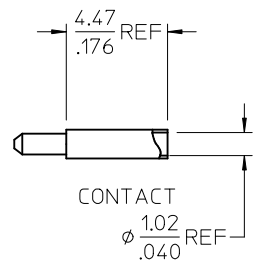
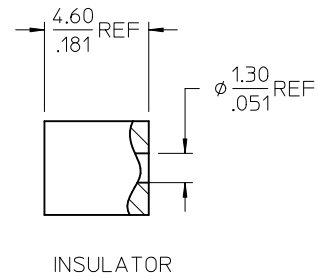
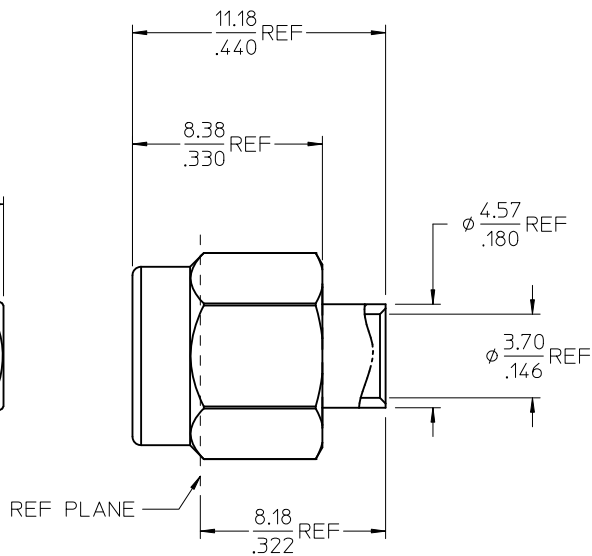
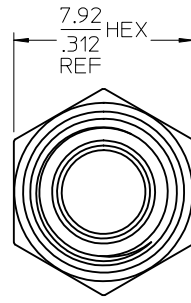
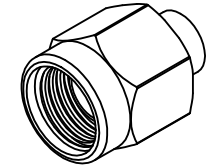
MATERIALS AND FINISHES:

BODY: STAINLESS STEEL  
PLATED GOLD (SEE TABLE)

COUPLING NUT: STAINLESS STEEL  
PASSIVATED -0031 -0032 -0033  
PLATED GOLD (8 U" MIN) -0034

CENTER CONTACT: BRASS  
PLATED GOLD (SEE TABLE)

INSULATOR: TEFLON



USING CONTACT LOCATOR TOOL 89676-3600, SLIP CONTACT/CABLE INTO SMA ASSEMBLY UNTIL BOTTOMS. SOLDER CABLE TO SMA ASSEMBLY.

USING INSULATOR INSERTION TOOL 89676-3100 PRESS INSULATOR TO DIMENSION SHOWN.

PS-89675-346	ELECTRO/MECH PERFORM.
MIL-STD-348A, FIG. 310.1	INTERFACE
SPECIFICATION	DESCRIPTION

73251-0034	BY TRAY	8 MICROINCHES	8 MICROINCHES
73251-0033	BY BAG	30 MICROINCHES	30 MICROINCHES
73251-0032	BY TRAY (20 CAV)	10 MICROINCHES	30 MICROINCHES
73251-0031	BY BAG	10 MICROINCHES	30 MICROINCHES
PART NO.	PACKAGING	FINISH BODY	FINISH CONTACT

CHG: ADDED -0034	DESCRIPTION
EC NO: URF2011-0594	2011/04/08
DRWN: ROBERTSON	2011/04/08
CHKD: JYL	2011/04/08
APPR: WIENER	2011/04/11
REV	A6

QUALITY SYMBOLS	▽=0
	▽=0

GENERAL TOLERANCES (UNLESS SPECIFIED)	DIMENSION STYLE
	MM/IN
4 PLACES ± --- ± ---	DRAWN BY DATE
3 PLACES ± --- ± ---	NBJ 1997/12/01
2 PLACES ± --- ± ---	CHECKED BY DATE
1 PLACE ± --- ± ---	DHG 1998/01/05
ANGULAR ± 1°	APPROVED BY DATE
	GMH 1998/01/06
DRAFT WHERE APPLICABLE MUST REMAIN WITHIN DIMENSIONS	MATERIAL NO.
	SEE TABLE
	SIZE
	C

SCALE	DESIGN UNITS	THIRD ANGLE PROJECTION
	METRIC	
TITLE	SMA PLUG, SOLDER TYPE FOR RG402 CABLE, 50 OHMS SMA-PC, EWR-1980	
	MOLEX INCORPORATED	
DOCUMENT NO.	SD-73251-003	
SHEET NO.	1 OF 1	

THIS DRAWING CONTAINS INFORMATION THAT IS PROPRIETARY TO MOLEX INCORPORATED AND SHOULD NOT BE USED WITHOUT WRITTEN PERMISSION		
---	--	--