



Chipsmall Limited consists of a professional team with an average of over 10 year of expertise in the distribution of electronic components. Based in Hongkong, we have already established firm and mutual-benefit business relationships with customers from,Europe,America and south Asia,supplying obsolete and hard-to-find components to meet their specific needs.

With the principle of "Quality Parts,Customers Priority,Honest Operation,and Considerate Service",our business mainly focus on the distribution of electronic components. Line cards we deal with include Microchip,ALPS,ROHM,Xilinx,Pulse,ON,Everlight and Freescale. Main products comprise IC,Modules,Potentiometer,IC Socket,Relay,Connector.Our parts cover such applications as commercial,industrial, and automotives areas.

We are looking forward to setting up business relationship with you and hope to provide you with the best service and solution. Let us make a better world for our industry!



Contact us

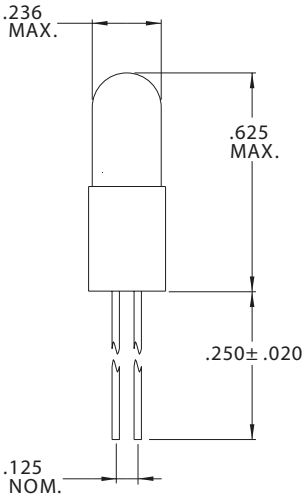
Tel: +86-755-8981 8866 Fax: +86-755-8427 6832

Email & Skype: info@chipsmall.com Web: www.chipsmall.com

Address: A1208, Overseas Decoration Building, #122 Zhenhua RD., Futian, Shenzhen, China



T-1 3/4 Bi-Pin Base (.125")



Part Number	Design Voltage	Amps	MSCP	Life Hours	Filament Type
CM2332	14.0	.080	.300	50,000	C-2F
CM2335	14.0	.080	.300	15,000	C-2F
CM7330	14.0	.080	.500	1,500	C-2R
CM7373	14.0	.100	.500	10,000	C-2F
CM7382	14.0	.080	.300	15,000	C-2F
CM7410	14.0	.100	.500	15,000	C-2F
CM7003	15.0	.040	.750	2,000	C-2F
CM2311	18.0	.040	.250	1,000	C-2F
CM2316	18.0	.040	.150	10,000	C-2F
CM7370	18.0	.040	.150	10,000	C-2F
CM7459	22.0	.040	.300	2,000	C-2F
CM2313	24.0	.050	.600	1,000	C-2F
CM2341	24.0	.060	.500	5,000	C-2F
CM7001	24.0	.050	.500	1,000	C-2F
CM2312	28.0	.040	.340	1,000	C-2F
CM2314	28.0	.050	.700	1,000	C-2F
CM2324	28.0	.040	.340	4,000	C-2F
CM2325	28.0	.040	.340	1,000	C-2F
CM2329	28.0	.047	.340	2,500	C-2F
CM2342	28.0	.040	.300	25,000	C-2F
CM7136	28.0	.024	.150	4,000	CC-2F
CM7327	28.0	.040	.340	4,000	C-2F
CM7374	28.0	.040	.150	10,000	C-2F
CM7376	28.0	.065	.650	5,000	C-2F
CM7387	28.0	.040	.300	7,000	C-2F
CM7876	28.0	.060	.340	25,000	C-2F
CM7748	48.0	.025	.200	5,000	CC-2F