



Chipsmall Limited consists of a professional team with an average of over 10 year of expertise in the distribution of electronic components. Based in Hongkong, we have already established firm and mutual-benefit business relationships with customers from,Europe,America and south Asia,supplying obsolete and hard-to-find components to meet their specific needs.

With the principle of “Quality Parts,Customers Priority,Honest Operation,and Considerate Service”,our business mainly focus on the distribution of electronic components. Line cards we deal with include Microchip,ALPS,ROHM,Xilinx,Pulse,ON,Everlight and Freescale. Main products comprise IC,Modules,Potentiometer,IC Socket,Relay,Connector.Our parts cover such applications as commercial,industrial, and automotives areas.

We are looking forward to setting up business relationship with you and hope to provide you with the best service and solution. Let us make a better world for our industry!



## Contact us

Tel: +86-755-8981 8866 Fax: +86-755-8427 6832

Email & Skype: info@chipsmall.com Web: www.chipsmall.com

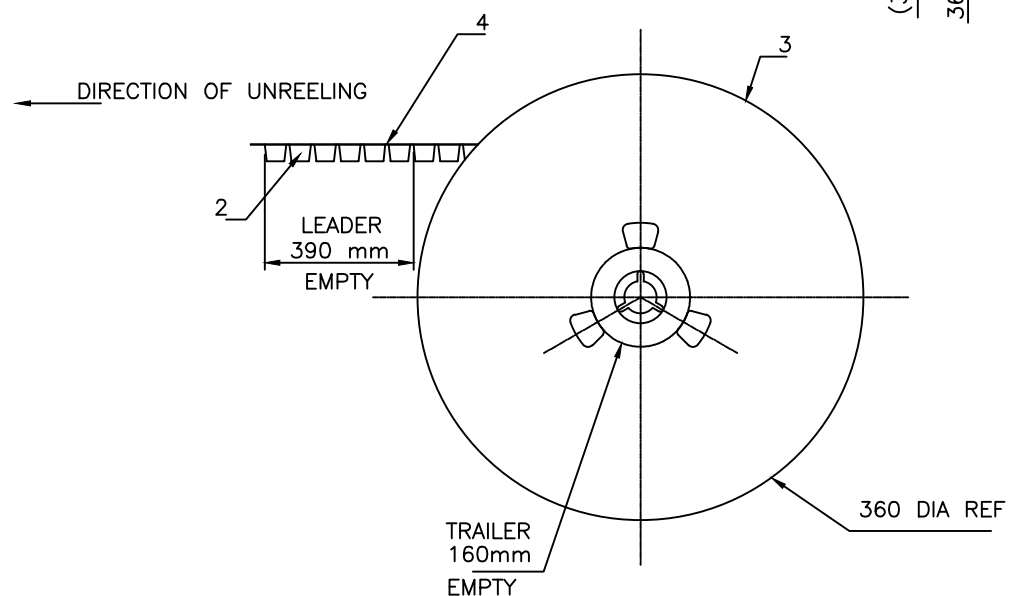
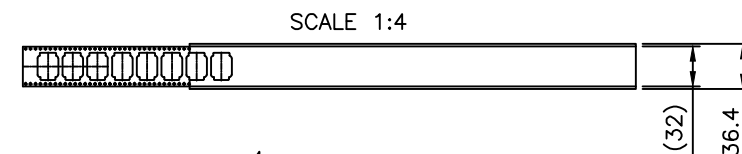
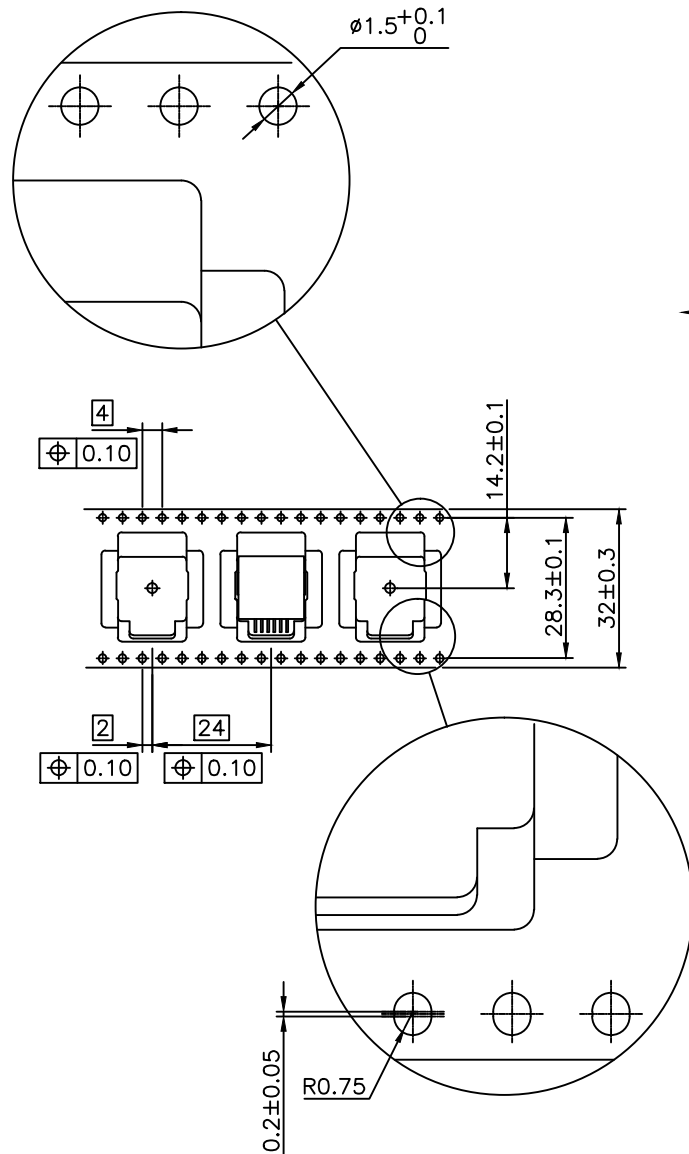
Address: A1208, Overseas Decoration Building, #122 Zhenhua RD., Futian, Shenzhen, China





PRODUCT NUMBER  
SEE SHEET 1

LTR	PART NAME	QTY
1	PRODUCT	230
2	TAPE	1
3	REEL	1
4	COVER TAPE	1



1- IN ACCORDANCE WITH EIA-481 AND IEC 296-3

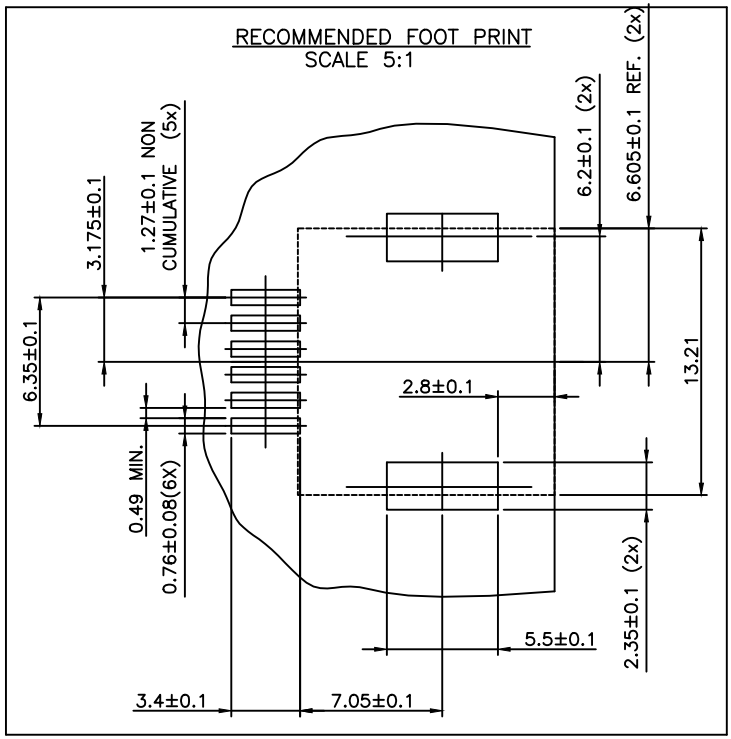
CUSTOMER COPY FOR REFERENCE ONLY

mat'l. code		surface		tolerance		projection		product family	
		ISO 1302		ISO 406 ISO 1101		mm		MOD-JACK	
ltr		ecn no		dr		date		title	
D		F80620		DLE		98.11.26		SMT RA JACK	
E		F06-0240		DLE		06.07.18		6 POS. OUTSIDE	
sheet index		revision sheet		dr		D LEGRAND		06.07.18	
				engr		P NIZZI		06.07.18	
				chr		D LE		06.07.18	
				appd		P NZ		06.07.18	
				dwg no		sheet 2 of 3		size	
				73305				A3	
				type		CUSTOMER Drawing			



FCIconnect.com

Copyright FCI



FCconnect.com

**CUSTOMER COPY FOR REFERENCE ONLY**

mat'l. code		surface		tolerance		projection		product family	
		ISO 1302		ISO 406 ISO 1101				MOD JACK	
ltr		ecn no		date		tolerances unless otherwise specified		title	
A		F04-0363		DLE 04.10.18		±0.13		SMT RA JACK	
B		F06-0240		DLE 06.07.18		mm		6 POS OUTSIDE	
		angles		linear		scale 2:1		dwg no	
		±2'						sheet 3 of - size	
		dr		D LEGRAND 04.10.18				73305	
		engr		P NIZZI 04.10.18				A4	
		chr		D LEGRAND 04.10.18					
		appd		P NZ 04.10.18					
sheet index		revision sheet						type	
								CUSTOMER Drawing	

form: A4