



Chipsmall Limited consists of a professional team with an average of over 10 year of expertise in the distribution of electronic components. Based in Hongkong, we have already established firm and mutual-benefit business relationships with customers from,Europe,America and south Asia,supplying obsolete and hard-to-find components to meet their specific needs.

With the principle of "Quality Parts,Customers Priority,Honest Operation,and Considerate Service",our business mainly focus on the distribution of electronic components. Line cards we deal with include Microchip,ALPS,ROHM,Xilinx,Pulse,ON,Everlight and Freescale. Main products comprise IC,Modules,Potentiometer,IC Socket,Relay,Connector.Our parts cover such applications as commercial,industrial, and automotives areas.

We are looking forward to setting up business relationship with you and hope to provide you with the best service and solution. Let us make a better world for our industry!



Contact us

Tel: +86-755-8981 8866 Fax: +86-755-8427 6832

Email & Skype: info@chipsmall.com Web: www.chipsmall.com

Address: A1208, Overseas Decoration Building, #122 Zhenhua RD., Futian, Shenzhen, China



LEAD FREE VERSION

PARTS NUMBER

7332E0225S15LF

7332E0225S15

SEE NOTES

GENERAL :

High cycle life duration smart card connector with semi landing type contacts mechanism. Smart card for reference purpose only.

ELECTRICAL PROPERTIES :

Insulation resistance : > 1000MΩ
Dielectric withstanding voltage : >750 Vrms
Current carrying capacity : Min 10μA, Max 1A
Contact resistance : < 100mΩ

MECHANICAL PROPERTIES :

Operating force : Insertion : F < 10N
Withdrawal : 1 < F < 10N
Contact normal force : 0.2 < F < 0.5N for 0.6mm of deflection
Durability : 50 000 mating cycles

MATERIAL :

Head reader : Pa4/6, Colour Black, Rated UL94V0
Cover : Pa4/6, Colour Grey, Rated UL94V0
Contacts : Copper alloy
Plating : 2.5μm Nickel min. all over
2μm Gold min. on contact area
3μm SnPb(60/40) min. on solder tails
3μm matte tin min. on solder tails(for lead free version)

ENVIRONMENT :

Operating temperature : -20°C / +70°C
Storage temperature : -40°C / +85°C
Climatic condition : UTE 93-421

PACKAGING :

Cavity tray

A

B

C

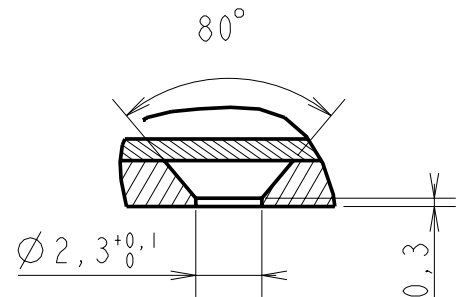
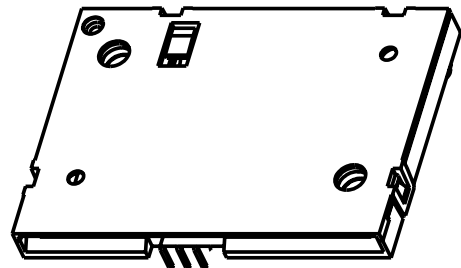
D

A

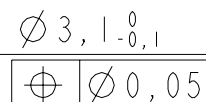
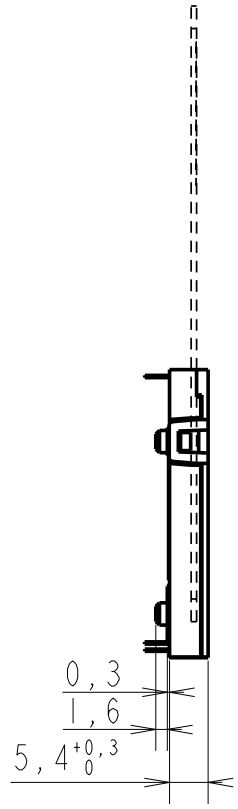
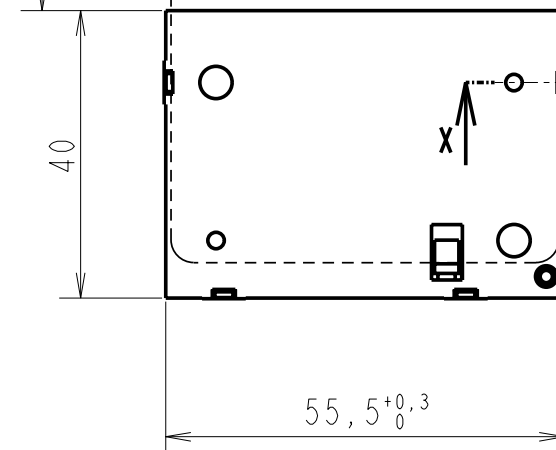
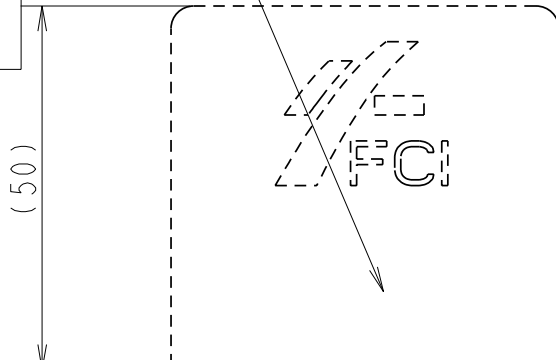
B

C

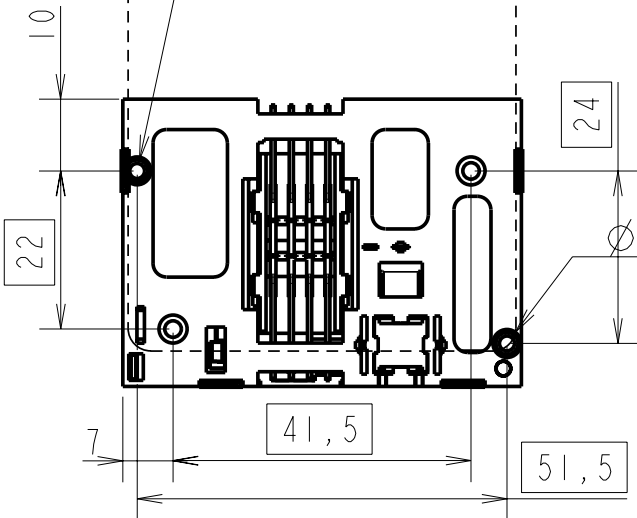
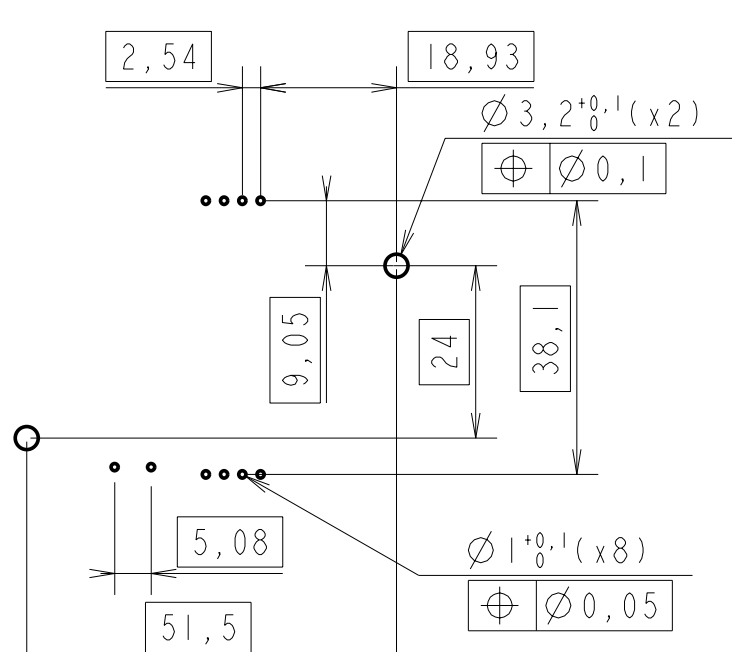
D



SECTION X-X SCALE 4:1



Recommended PCB Layout (Component side)



General Tolerances table with rows for dimensions 0 to 10mm, 10 to 30mm, 30 to 60mm, and 60 dnd more.

Revision table with columns: rev, ecn no, dr, date. Rows include JTA, HLE, NT, and SSC.

LEAD FREE VERSION:

"This product meets European Union Directives and other country regulations as described in GS-22-008"

The housing will withstand exposure to 260°C peak temperature for 10seconds in a convection reflow oven.

Product specification table including website (www.fciconnect.com), standards (ISO 1302, ISO 406, ISO 1101), tolerances, projection, size (A3), scale (1:1), and customer information.



Copyright FCI.