



Chipsmall Limited consists of a professional team with an average of over 10 year of expertise in the distribution of electronic components. Based in Hongkong, we have already established firm and mutual-benefit business relationships with customers from,Europe,America and south Asia,supplying obsolete and hard-to-find components to meet their specific needs.

With the principle of “Quality Parts,Customers Priority,Honest Operation,and Considerate Service”,our business mainly focus on the distribution of electronic components. Line cards we deal with include Microchip,ALPS,ROHM,Xilinx,Pulse,ON,Everlight and Freescale. Main products comprise IC,Modules,Potentiometer,IC Socket,Relay,Connector.Our parts cover such applications as commercial,industrial, and automotives areas.

We are looking forward to setting up business relationship with you and hope to provide you with the best service and solution. Let us make a better world for our industry!



Contact us

Tel: +86-755-8981 8866 Fax: +86-755-8427 6832

Email & Skype: info@chipsmall.com Web: www.chipsmall.com

Address: A1208, Overseas Decoration Building, #122 Zhenhua RD., Futian, Shenzhen, China



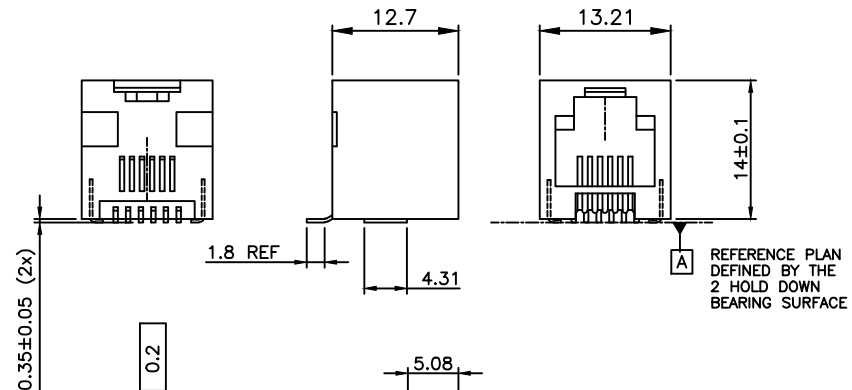
PRODUCT NUMBER
73334-XXXLF

PLATING OPTION
1= GXT 0.76 μm
3= GOLD 0.76 μm
5= GOLD 1.27 μm

PACKAGE OPTION
1= TAPE ON REEL
2= TUBE
3= TAPE ON REEL
IN PLASTIC BAG

TERMINAL LOADING
1= FULLY LOADED
2= POS 2,3,4,5
3= POS 1,2,5,6

WHEN NEEDED, SUFFIX LETTER "LF"
INDICATES THE PRODUCT IS RoHS
COMPATIBLE, SEE NOTE 4.



NOTES:

- 1 - MATERIAL: HOUSING: HIGH TEMP. PCT, COLOUR BLACK.
TERMINAL: PHOSPHOR BRONZE.
- 2 - PLATING: CONTACT AREA: SEE TABLE.
SOLDER TAIL : 90/10 SnPb 2 μm MIN.
WHEN SUFFIX "LF" IS REQUIRED, 2 μm MIN MATTE
TIN OVER 1.27 MIN Ni IS SUPPLIED INSTEAD OF SnPb.
NO RAW EDGES EXCEPT SOLDER TAIL TIPS
- 3 - SOLDER TAILS COPLANARITY : 0.1 mm
- 4 - RoHS COMPATIBLE PRODUCT SPECIFICATIONS
 - a - PLATING:
 - "LF" MEANS THE PRODUCT IS LEAD-FREE,
2 μm MINIMUM MATTE TIN OVER 1.27 μm
MINIMUM NICKEL UNDERPLATE.
 - b - MANUFACTURING PROCESS COMPATIBILITY
 - THE HOUSING WILL WITHSTAND EXPOSURE TO
245°C PEAK TEMPERATURE FOR 30 SECONDS
MAX IN A CONVECTION, INFRA-RED OR VAPOR
PHASE OR REFLOW OVEN.
 - c - LABELING:
 - MEETS PACKAGING SPECS AS PER GS-14-920
 - d - LEGAL STATEMENT: SEE GS-47-0004
- 5 - PACKAGING FOR OPTION 3 : EACH REEL IS WRAPPED INTO A PLASTIC BAG
TO PROTECT FROM MOISTURE DURING STACKING TIME.

VIEW ACCORDING "V"

SEE NOTE 3

CUSTOMER COPY FOR REFERENCE ONLY

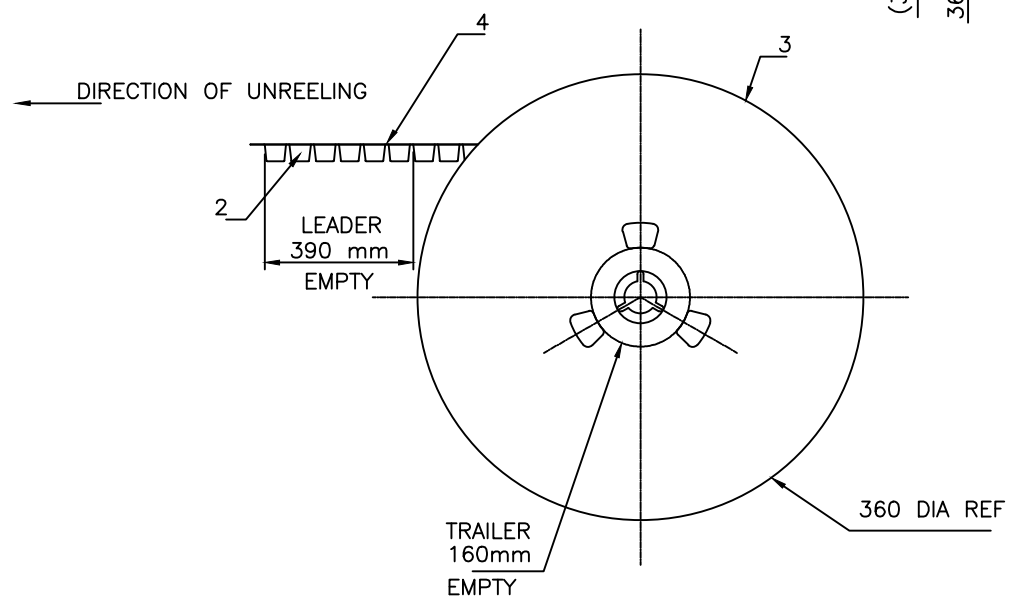
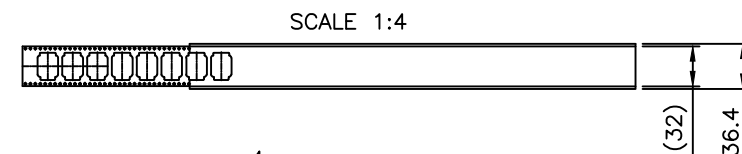
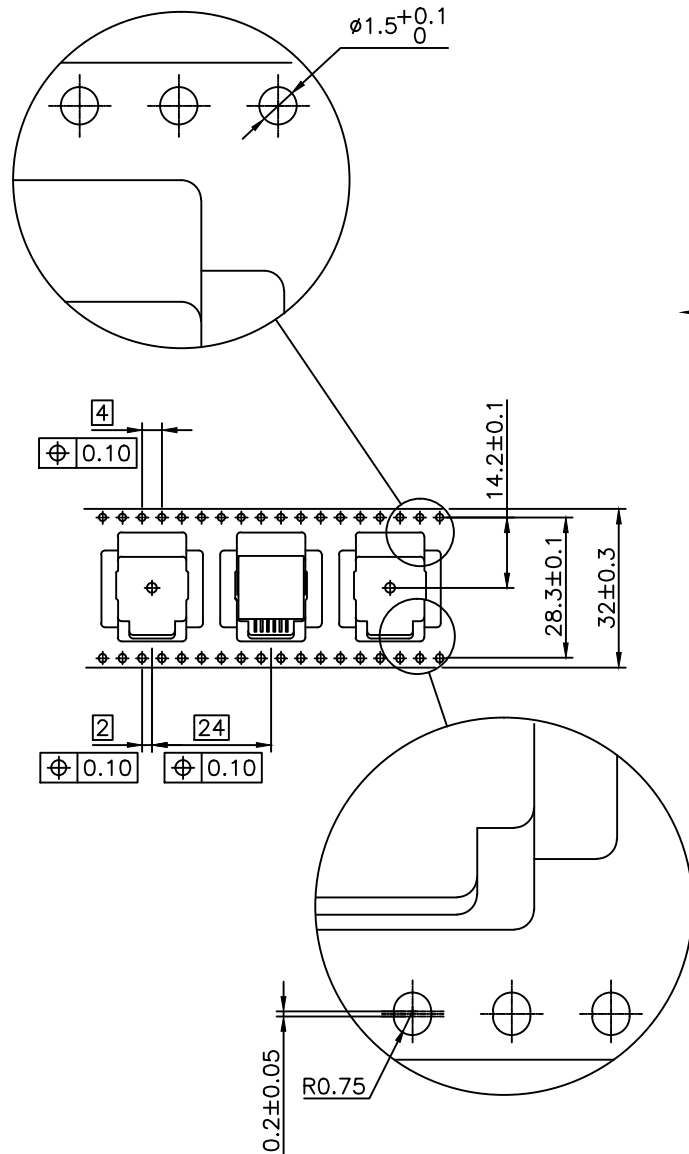
mat'l. code		surface		tolerance		projection		product family	
		ISO 1302 ✓		ISO 406 ISO 1101				MODULAR JACK	
ltr		ecn no		date		tolerances unless otherwise specified		title	
H		F10-0239		APA 10.10.25		±0.13		SMT RA JACK	
J		B-15798		JFA 13.09.09		linear		6 POS INSIDE	
K		F-21888		AMA 15.09.09		±2'		scale 2:1	
		dr		D LEGRAND		04.10.19		dwg no	
E		F04-0363		DLE 04.10.19		enrg		P NIZZI 04.10.19	
F		F05-0247		DLE 05.09.12		chr		D LEGRAND 04.10.19	
G		F06-0244		DLE 06.07.18		appd		P NZ 04.10.19	
sheet		revision		K		D		B	
index		sheet		1		2		3	



Copyright FCI

PRODUCT NUMBER
SEE SHEET 1

LTR	PART NAME	QTY
1	PRODUCT	230
2	TAPE	1
3	REEL	1
4	COVER TAPE	1



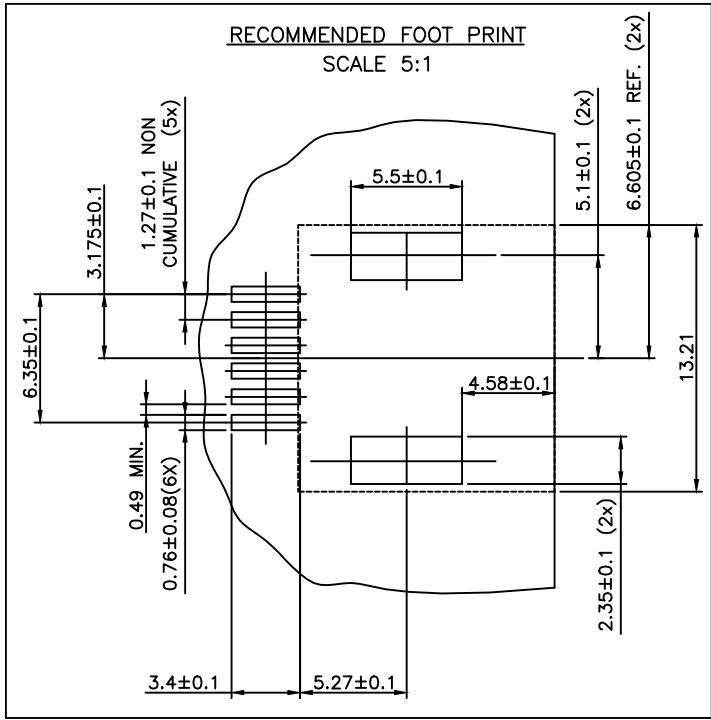
1- IN ACCORDANCE WITH EIA-481 AND IEC 296-3

CUSTOMER COPY FOR REFERENCE ONLY

mat'l. code		surface ISO 1302 ✓		tolerance ISO 406 ISO 1101		projection mm		product family MOD-JACK	
ltr		ecn no		dr		date		title SMT RA JACK 6 POS. INSIDE	
C		F80620		DLE		98.11.26		scale 1:1	
D		F06-024Q		DLE		06.07.18			
angles		linear		dr		D LEGRAND		06.07.18	
		enr		P NIZZI		06.07.18		FCJ	
		chr		D LE		06.07.18			
		appd		P NZ		06.07.18		dwg no 73334	
sheet index		revision sheet						sheet 2 of 3 size A3	
								type CUSTOMER Drawing	



Copyright FCJ



FCconnect.com

Copyright FCJ

CUSTOMER COPY FOR REFERENCE ONLY

mat'l. code		surface	tolerance	projection	product family
		ISO 1302 <input checked="" type="checkbox"/>	ISO 406 <input type="checkbox"/> ISO 1101 <input type="checkbox"/>		MODULAR JACK
ltr	ecn no	dr	date	title	
A	F04-0363	DLE	04.10.19	SMT RA JACK	
B	F06-0240	DLE	06.07.18	6 POS INSIDE	
		angles	linear	mm	scale 2:1
		±2°			
dr	D LEGRAND	04.10.19			
enr	P NIZZI	04.10.19			
chr	D LEGRAND	04.10.19			
app	P NZ	04.10.19			
sheet index	revision sheet	dwg no 73334 sheet 3 of - size A4 type CUSTOMER Drawing			

form: A4