



Chipsmall Limited consists of a professional team with an average of over 10 year of expertise in the distribution of electronic components. Based in Hongkong, we have already established firm and mutual-benefit business relationships with customers from,Europe,America and south Asia,supplying obsolete and hard-to-find components to meet their specific needs.

With the principle of "Quality Parts,Customers Priority,Honest Operation,and Considerate Service",our business mainly focus on the distribution of electronic components. Line cards we deal with include Microchip,ALPS,ROHM,Xilinx,Pulse,ON,Everlight and Freescale. Main products comprise IC,Modules,Potentiometer,IC Socket,Relay,Connector.Our parts cover such applications as commercial,industrial, and automotives areas.

We are looking forward to setting up business relationship with you and hope to provide you with the best service and solution. Let us make a better world for our industry!



Contact us

Tel: +86-755-8981 8866 Fax: +86-755-8427 6832

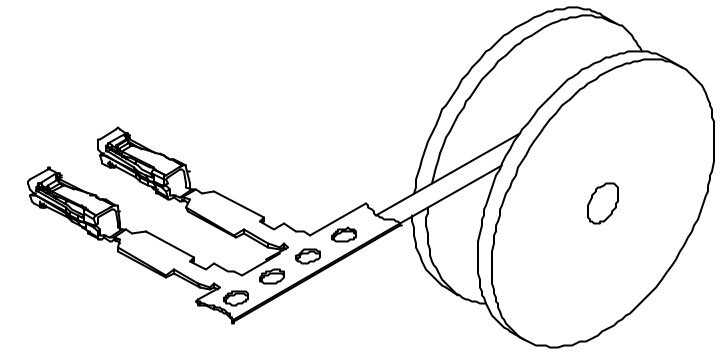
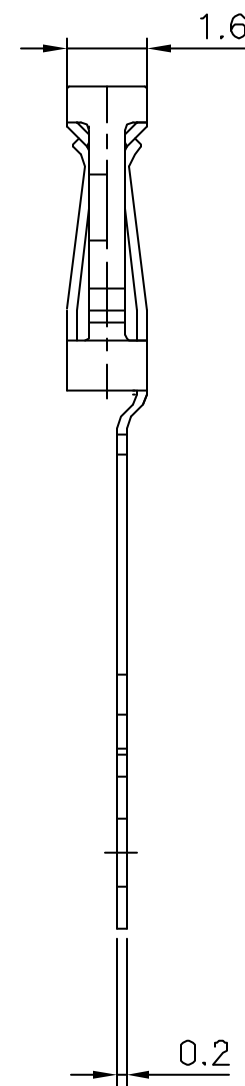
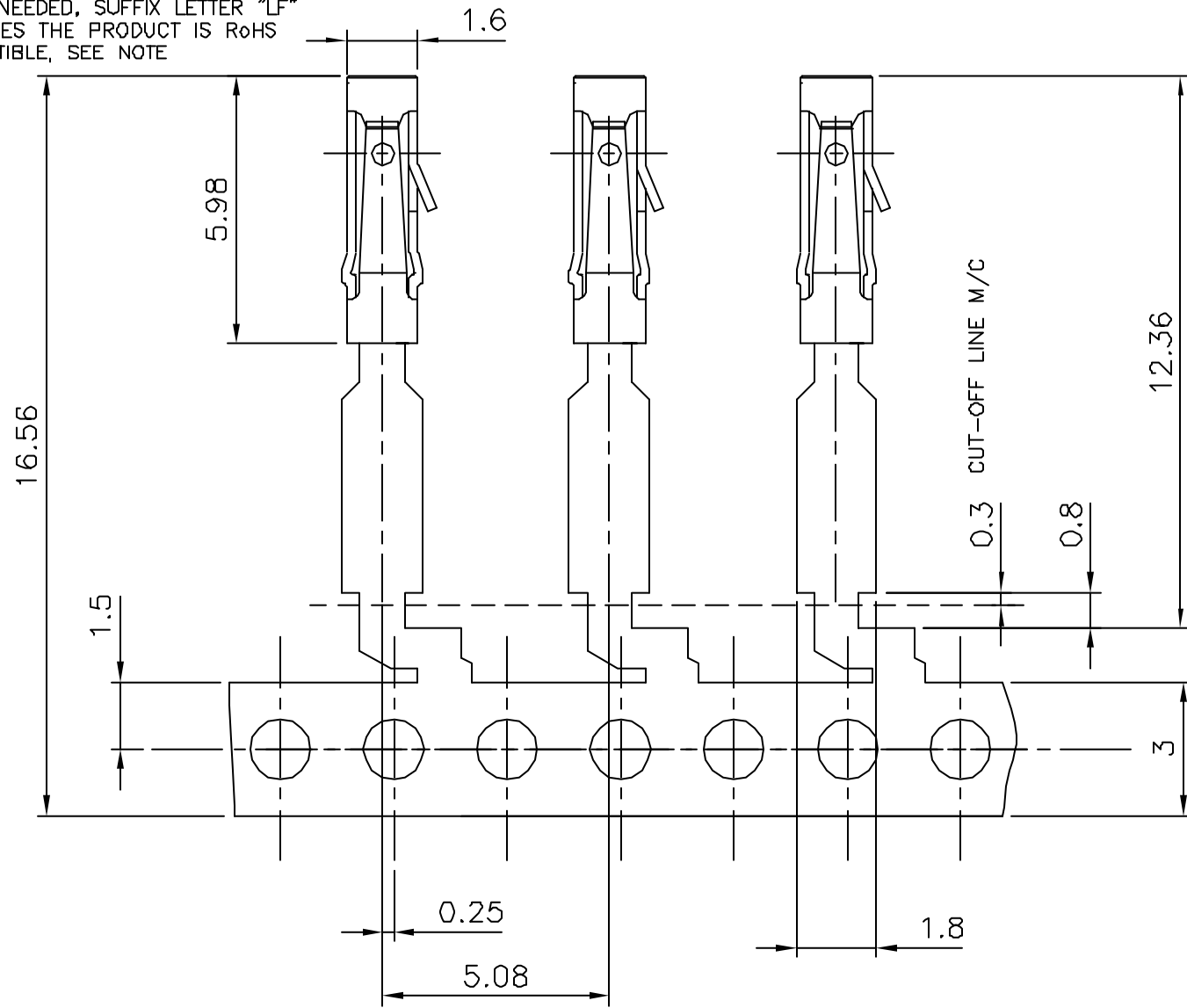
Email & Skype: info@chipsmall.com Web: www.chipsmall.com

Address: A1208, Overseas Decoration Building, #122 Zhenhua RD., Futian, Shenzhen, China



PRODUCT NUMBER	QUANTITY PER REEL	PACKAGING
73348-Y01(LF)	15000	CARDBOARD REEL

WHEN NEEDED, SUFFIX LETTER "LF" INDICATES THE PRODUCT IS RoHS COMPATIBLE, SEE NOTE



REELING AFTER STAMPING

NOTE:

MATERIAL: PHOSPHOR BRONZE, EXTRA HARD
RoHS COMPATIBLE PRODUCT SPECIFICATIONS

- a - PLATING:
- "LF" MEANS THE PRODUCT IS LEAD-FREE, 2µm MINIMUM MATTE TIN OVER 1.27µm MINIMUM NICKEL UNDERPLATE.
- b - LABELING:
- MEETS PACKAGING SPECS AS PER GS-14-920
- c - LEGAL STATEMENT: SEE GS-22-008

73348-3XXLF	0.76µm GOLD	Sn	0.3N MIN
			0.6N MAX
73348-4XXLF	5µm Sn	Sn	0.3N MIN
			0.6N MAX
73348-3XX	0.76µm GOLD	SnPb	0.3N MIN
			0.6N MAX
73348-4XX	5µm SnPb	SnPb	0.3N MIN
			0.6N MAX
PLATING CODE	CONTACT AREA	SOLDER TAIL	WITHDRAWAL FORCE USING SQUARE PIN
	PLATING THICKNESS OVER 1.27µm Ni		0.61

mat'l. code		surface	tolerance	projection	product family
SEE NOTES		ISO 1302	ISO 416 ISO 1101		DUFLEX
Ltr	ecr no	dr	date	tolerances unless otherwise specified	title
D	FD4-0374	DLE	D4.11.16	angles	DUFLEX TERM.
E	FO8-D203	DLE	D6.06.20	Linear	WITHOUT IDC
F	F07-027	LMU	D7.12.06	±2°	scale 10:1
		dr	D LEGRAND	0706.06.20	dwg no
		enrg	P NIZZI	06.06.20	sheet 1 of 1
		chr	P NIZZI	06.06.20	size
		appd	P NZ	06.06.20	A3
sheet index	revision sheet			type	CUSTOMER Drawing