



Chipsmall Limited consists of a professional team with an average of over 10 year of expertise in the distribution of electronic components. Based in Hongkong, we have already established firm and mutual-benefit business relationships with customers from,Europe,America and south Asia,supplying obsolete and hard-to-find components to meet their specific needs.

With the principle of “Quality Parts,Customers Priority,Honest Operation,and Considerate Service”,our business mainly focus on the distribution of electronic components. Line cards we deal with include Microchip,ALPS,ROHM,Xilinx,Pulse,ON,Everlight and Freescale. Main products comprise IC,Modules,Potentiometer,IC Socket,Relay,Connector.Our parts cover such applications as commercial,industrial, and automotives areas.

We are looking forward to setting up business relationship with you and hope to provide you with the best service and solution. Let us make a better world for our industry!



Contact us

Tel: +86-755-8981 8866 Fax: +86-755-8427 6832

Email & Skype: info@chipsmall.com Web: www.chipsmall.com

Address: A1208, Overseas Decoration Building, #122 Zhenhua RD., Futian, Shenzhen, China



7334L2622F01LF

Catalogue Part Number Key

Lead Free Version (Optional)

Durability
 0: 2500 Mating Cycles
 2: 10000 Mating Cycles
 5: 100000 Mating Cycles

Number of contacts :
 2: 8 contacts ISO
 3: 16 contacts ISO + AFNOR

GENERAL:
 This L26 connector uses a "sliding" contact technology suitable for most applications.
 It has been designed for easy mounting on the PCB.

ELECTRICAL PROPERTIES:
 Insulation resistance : 5000 MΩ min
 Dielectric withstanding : 750 Vrms min
 Current carrying capacity : 10μA min. 1A max
 Contact resistance : 100mΩ max
 Card sensor type : Normally closed

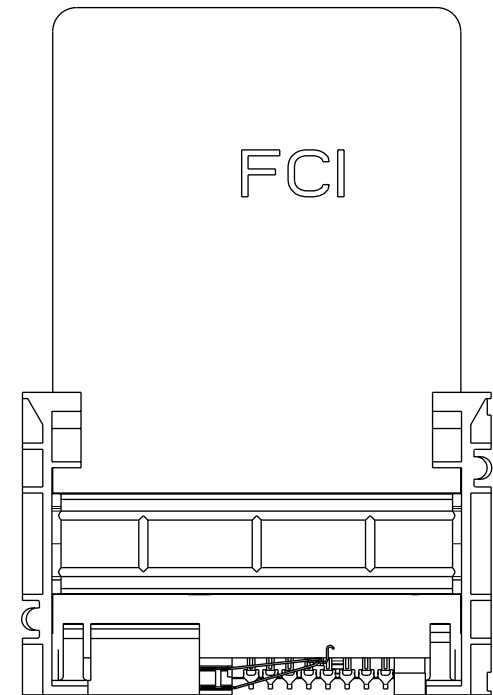
SWITCH:
 Contact Closed Resistance : 100mΩ max
 Open Contact Voltage Proof : 250 Vrms min.

MECHANICAL PROPERTIES:
 Contact Normal force : 0.6 N max (EMV Standard)
 Insertion force : 10 N max
 Extraction force : 1 N min

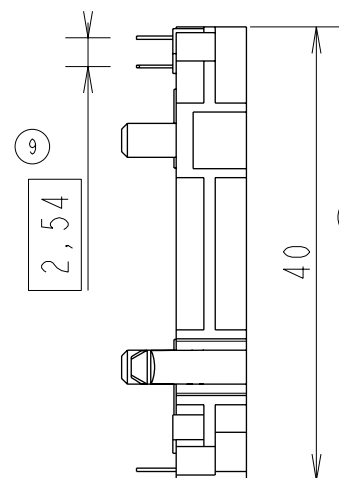
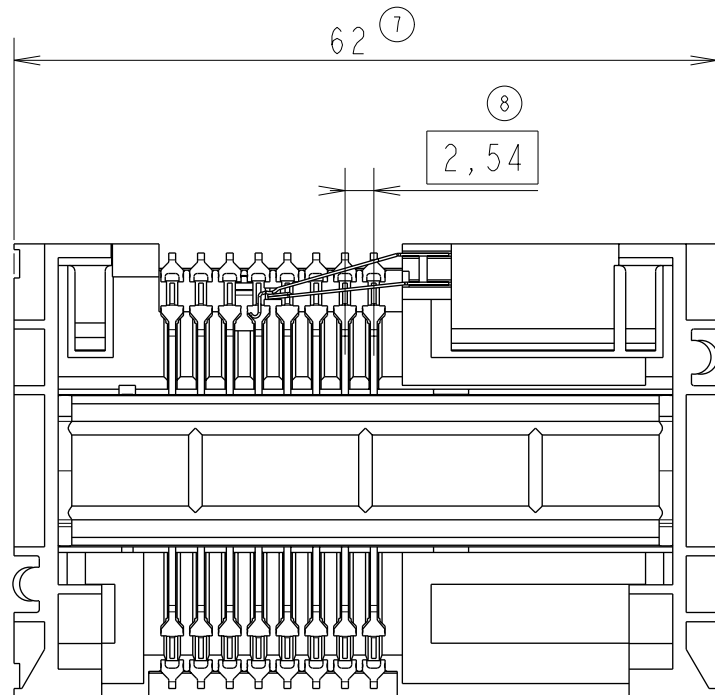
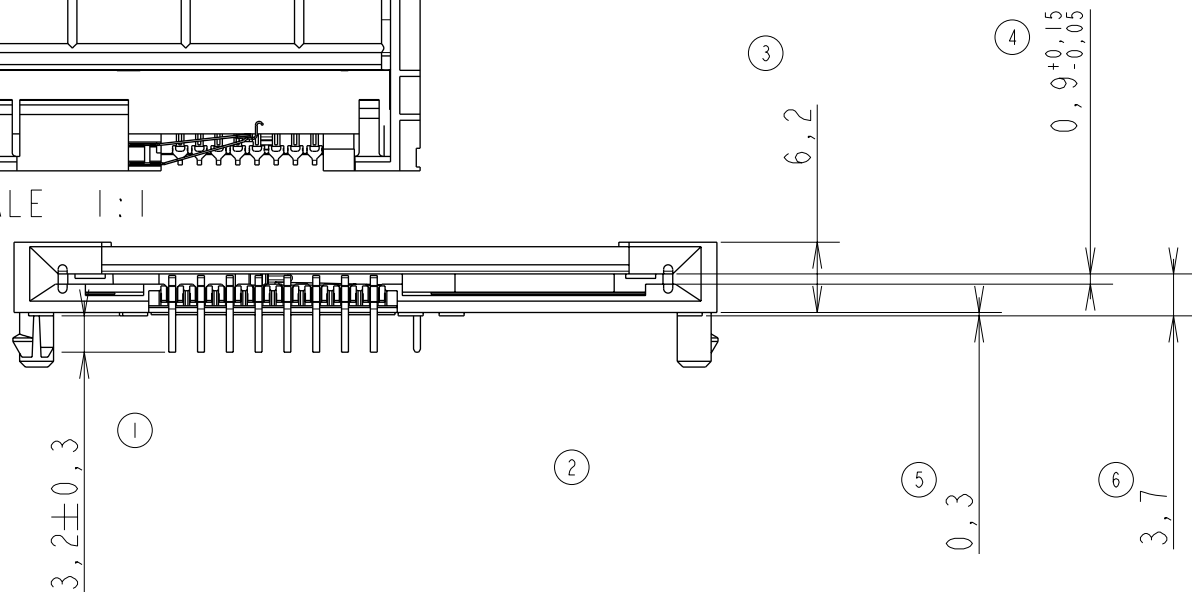
MATERIAL:
 Housing : Thermoplastic, Colour Black, Rated UL94V0
 Contacts and switch : Copper Alloy
 Plating : Gold over Nickel on contact area
 Matte Tin over Nickel on solder tails
 Bare edge allowed

ENVIRONMENT:
 Operating temperature: -20°C / +70°C
 Storage temperature: -40°C / +85°C
 Printed Circuit Board thickness : 1.6mm

REFERENCE DOCUMENTS:
 Product specification VGN 11596
 Packaging Specification VGN 11619



SCALE 1:1



LEAD FREE VERSION:

"This product meets European Union Directives and other country regulations as described in GS-22-008"

The housing will withstand exposure to 260°C peak temperature for 10seconds in a wave solder application with a 1.6mm minimum thick circuit board. Use protective adhesive tape (Kapton or Teflon) or protective metallic devices on the areas which are directly exposed to wave soldering as it is used in classical leaded wave soldering

General Tolerances: ± 0.2 mm

www.fciconnect.com		surface ISO 1302	tolerance std ISO 406 ISO 1101	projection	mm
TOLERANCES UNLESS OTHERWISE SPECIFIED					
Dr	N. TWINCY	2002/04/30	ANGULAR	0.X ±	size A3
Eng	F TISSERAND	2002/04/30	LINEAR	0.XX ±	Scale 3:2
Chr	RAMESH.P.K	2009/04/15	0° ±°	0.XXX ±	ECN 109-0057
Appr	S.S.CHERIAN	2009/04/15	Product family	SMART CARDS	Spec ref SEE NOTES
FCi		L26 TYPE F01		dwg no	VJW_54701
---		---		Rev.	G
G		109-0057 SSC 2009/04/15		catalog no	SEE TABLE
				sheet 1 of 2	



Copyright FCI.

