



Chipsmall Limited consists of a professional team with an average of over 10 year of expertise in the distribution of electronic components. Based in Hongkong, we have already established firm and mutual-benefit business relationships with customers from,Europe,America and south Asia,supplying obsolete and hard-to-find components to meet their specific needs.

With the principle of “Quality Parts,Customers Priority,Honest Operation,and Considerate Service”,our business mainly focus on the distribution of electronic components. Line cards we deal with include Microchip,ALPS,ROHM,Xilinx,Pulse,ON,Everlight and Freescale. Main products comprise IC,Modules,Potentiometer,IC Socket,Relay,Connector.Our parts cover such applications as commercial,industrial, and automotives areas.

We are looking forward to setting up business relationship with you and hope to provide you with the best service and solution. Let us make a better world for our industry!



Contact us

Tel: +86-755-8981 8866 Fax: +86-755-8427 6832

Email & Skype: info@chipsmall.com Web: www.chipsmall.com

Address: A1208, Overseas Decoration Building, #122 Zhenhua RD., Futian, Shenzhen, China



7334L2622F02LF

Catalogue Part Number Key

Lead Free Version (Optional)

Durability
 0: 2500 Mating Cycles
 2: 10000 Mating Cycles
 5: 100000 Mating Cycles

Number of contacts :
 2: 8 contacts ISO
 3: 16 contacts ISO + AFNOR

GENERAL:
 This L26 connector uses a "sliding" contact technology suitable for most applications.
 It has been designed for easy mounting on the PCB.

ELECTRICAL PROPERTIES:
 Insulation resistance : 5000 MΩ min
 Dielectric withstanding : 750 Vrms min
 Current carrying capacity : 10µA min. 1A max
 Contact resistance : 100mΩ max
 Card sensor type : Normally closed

MECHANICAL PROPERTIES:
 Contact Normal force : 0.6 N max (EMV Standard)
 Insertion force : 10 N max
 Extraction force : 1 N min
 Durability : According to UTE C93-421

MATERIAL:
 Housing : Thermoplastic 30 % Glass Filled, Colour Black, Rated UL94V0
 Contacts and switch : Phosphor bronze
 Plating : Nickel all over on contact area
 Gold on contact area.
 Tin/Lead on soldertails
 FOR LEAD FREE PLATING :
 Matte Tin on solder tail in place of Tin/Lead
 Bare edge allowed

ENVIRONMENT:
 Operating temperature: -20°C / +70°C
 Storage temperature: -40°C / +85°C
 Printed Circuit Board thickness : 1.6mm

REFERENCE DOCUMENTS:
 Product specification VGN 11596
 Packaging Specification VGN 11619

A

B

C

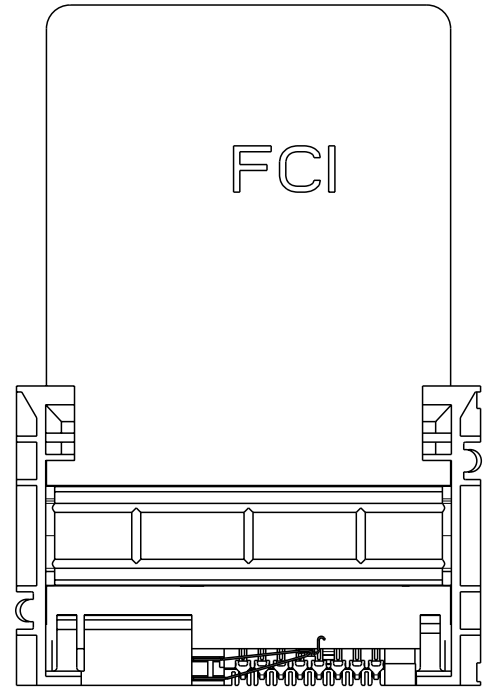
D

A

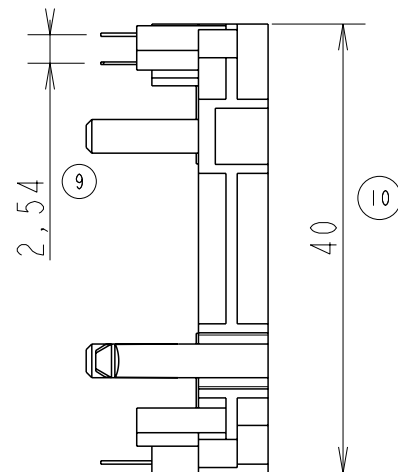
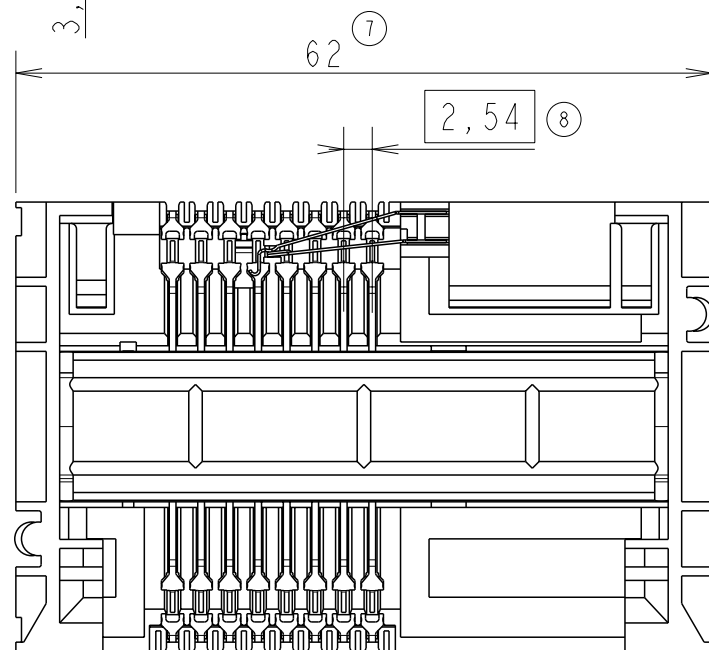
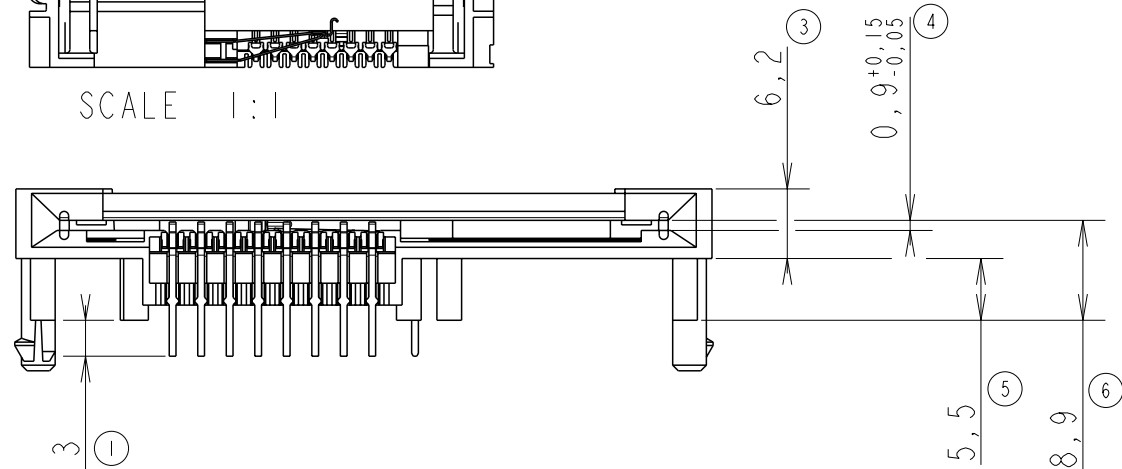
B

C

D



SCALE 1:1



LEAD FREE VERSION:

"This product meets European Union Directives and other country regulations as described in GS-22-008"

The housing will withstand exposure to 260°C peak temperature for 10seconds in a wave solder application with a 1.6mm minimum thick circuit board. Use protective adhesive tape (Kapton or Teflon) or protective metallic devices on the areas which are directly exposed to wave soldering as it is used in classical leaded wave soldering

General Tolerances: ± 0.2 mm

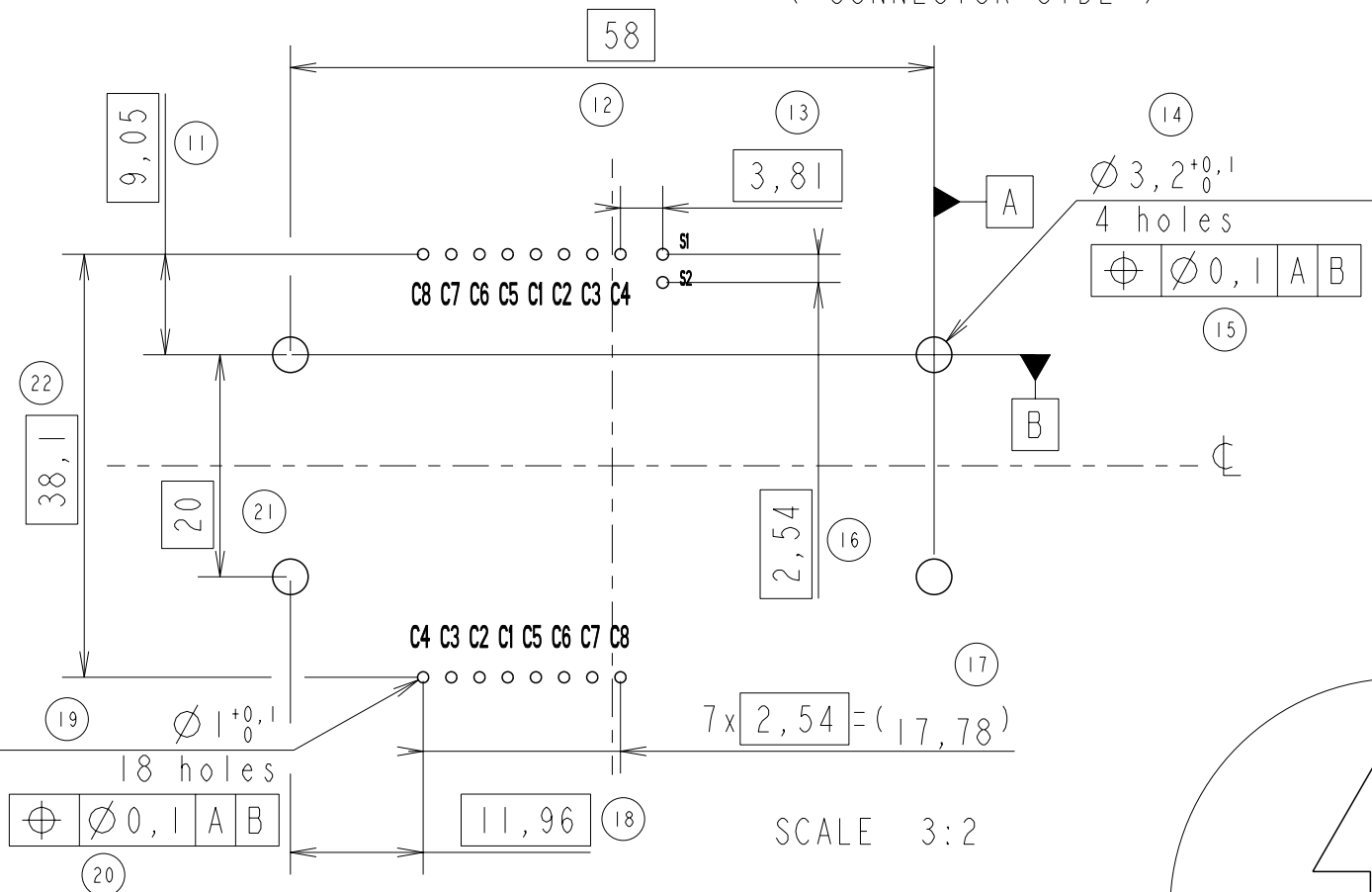
| | | | | | |
|--------------------|-------------|---------------------------------------|------------------|------------|--------------|
| www.fciconnect.com | | surface - | tolerance std | projection | mm |
| | | ISO 1302 ✓ | ISO 406 ISO 1101 | | |
| | | TOLERANCES UNLESS OTHERWISE SPECIFIED | | | |
| Dr | N. TWINCY | 2002/04/30 | ANGULAR | 0.X | ± |
| Eng | F TISSERAND | 2002/04/30 | LINEAR | 0.XX | ± |
| Chr | RAMESH P.K | 2009/03/26 | 0° ±° | 0.XXX | ± |
| Appr | S.S.CHERIAN | 2009/03/26 | Product family | | 5S2F |
| FCi | | L26 TYPE F02 | | size | A3 |
| - | | - | | Scale | 3:2 |
| - | | - | | ECN | 109-0048 |
| - | | - | | Spec ref | SEE NOTES |
| - | | - | | dwg no | VJW_54702 |
| - | | - | | Rev. | F |
| - | | - | | catalog no | SEE TABLE |
| - | | - | | CUSTOMER | sheet 1 of 2 |

| rev | ecn no | dr | date |
|-----|----------|-----|------------|
| A | F20307 | DLE | 2002/04/30 |
| B | Is 3053 | JTA | 2003/05/13 |
| C | 105-0071 | DTK | 2005/06/25 |
| D | 106-0084 | SSC | 2006/06/21 |
| E | 106-0189 | SSC | 2006/10/17 |
| F | 109-0048 | SSC | 2009/03/26 |
| - | - | - | - |

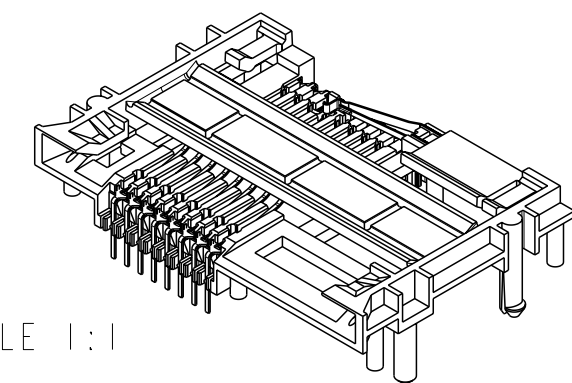
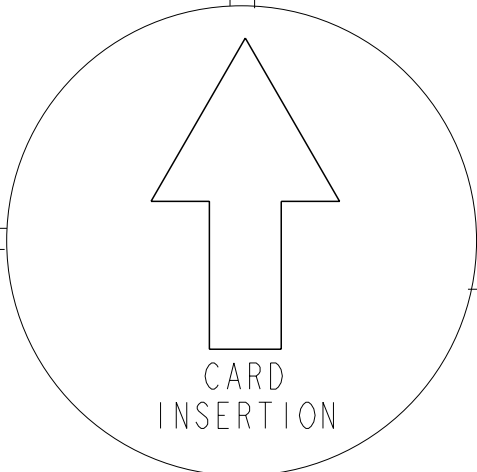
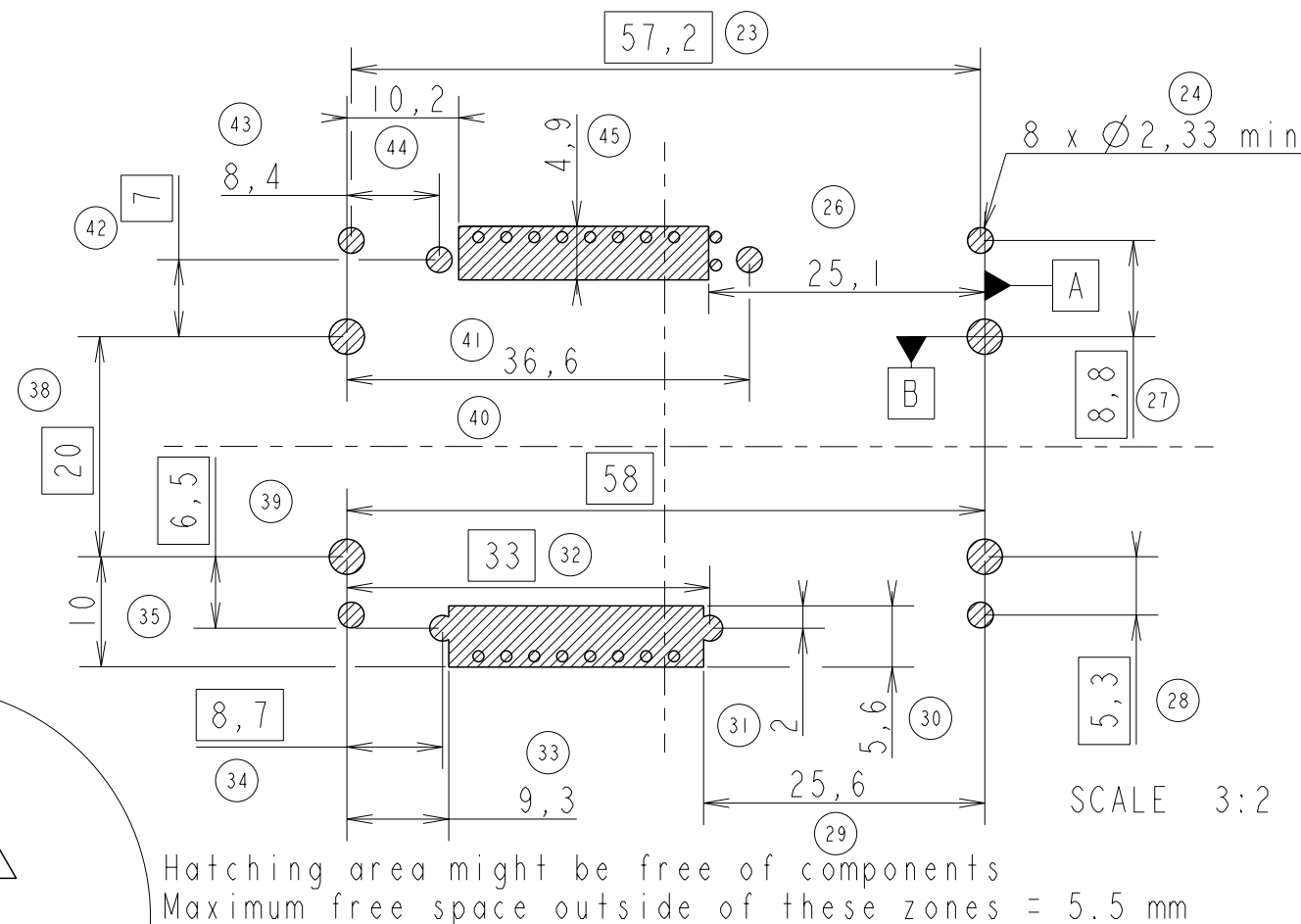


Copyright FCI.

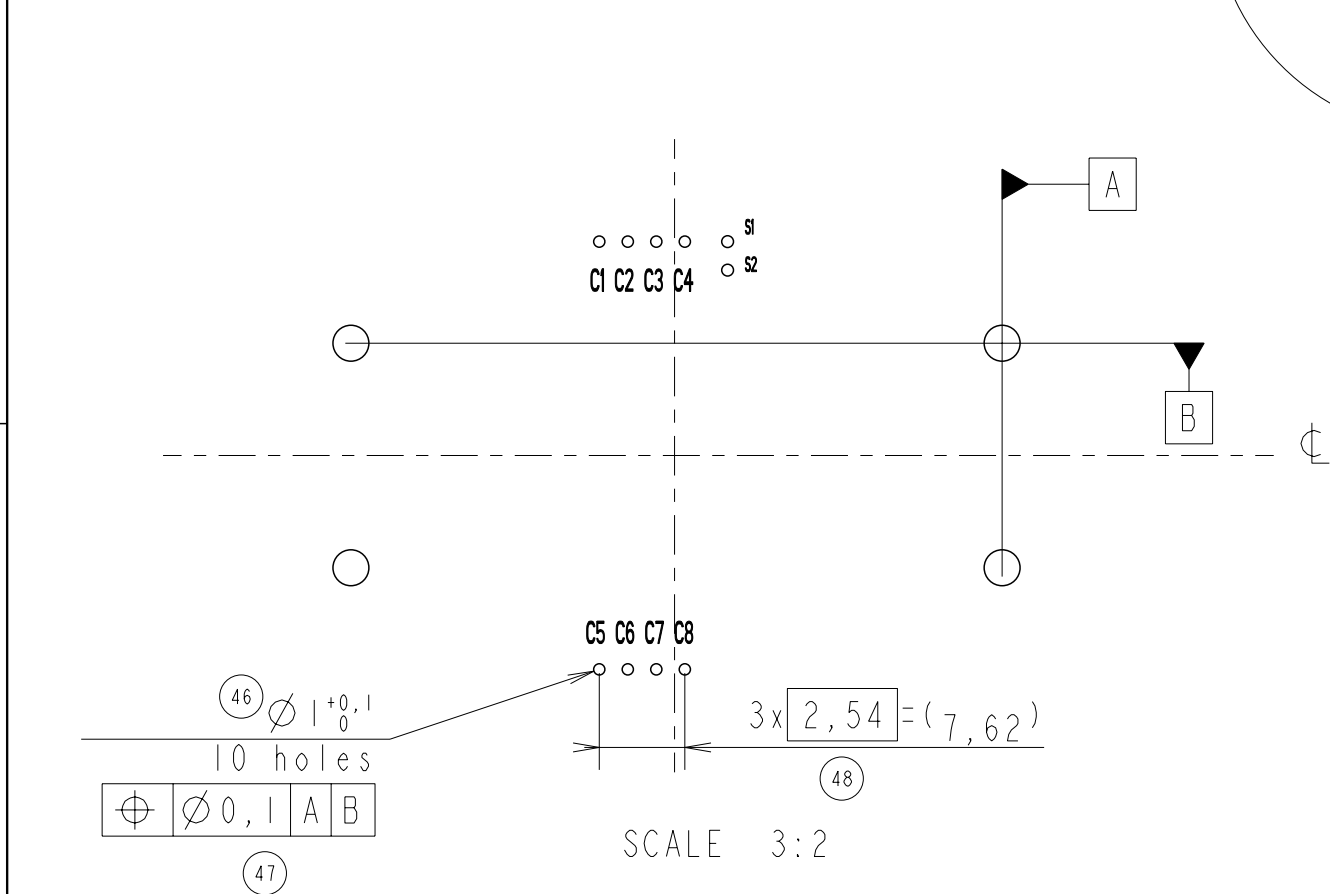
RECOMMENDED PCB LAYOUT CONTACT CONFIGURATION : ISO & AFNOR (CONNECTOR SIDE)



STANDARD LAYOUT FOR 'KEEP OUT ZONE' (Connector Side)



RECOMMENDED PCB LAYOUT CONTACT CONFIGURATION : ISO (CONNECTOR SIDE)



EUROPEAN PROJECTION

| | | | | | |
|---------------------------------------|-------------|--|--------------------------------|------------|--------------------|
| www.fciconnect.com | | surface - <input checked="" type="checkbox"/> ISO 1302 | tolerance std ISO 406 ISO 1101 | projection | mm |
| TOLERANCES UNLESS OTHERWISE SPECIFIED | | | | | |
| Dr | N. TWINCY | 2002/04/30 | ANGULAR | 0.X ± | size A3 |
| Eng | F TISSERAND | 2002/04/30 | LINEAR | 0.XX ± | Scale 3:2 |
| Chr | RAMESH P.K | 2009/03/26 | 0° ±° | 0.XXX ± | ECN 109-0048 |
| Appr | S.S.CHERIAN | 2009/03/26 | Product family | 5S2F | Spec ref SEE NOTES |
| | | L26 TYPE F02 | | dwg no | L26_TYPE_F02 |
| catalog no | | SEE TABLE | | CUSTOMER | sheet 2 of 2 |



Copyright FCI.