



Chipsmall Limited consists of a professional team with an average of over 10 year of expertise in the distribution of electronic components. Based in Hongkong, we have already established firm and mutual-benefit business relationships with customers from,Europe,America and south Asia,supplying obsolete and hard-to-find components to meet their specific needs.

With the principle of “Quality Parts,Customers Priority,Honest Operation,and Considerate Service”,our business mainly focus on the distribution of electronic components. Line cards we deal with include Microchip,ALPS,ROHM,Xilinx,Pulse,ON,Everlight and Freescale. Main products comprise IC,Modules,Potentiometer,IC Socket,Relay,Connector.Our parts cover such applications as commercial,industrial, and automotives areas.

We are looking forward to setting up business relationship with you and hope to provide you with the best service and solution. Let us make a better world for our industry!



Contact us

Tel: +86-755-8981 8866 Fax: +86-755-8427 6832

Email & Skype: info@chipsmall.com Web: www.chipsmall.com

Address: A1208, Overseas Decoration Building, #122 Zhenhua RD., Futian, Shenzhen, China



7334L2622F05001LF

Lead Free Version(optional)

Plating : contact area
 2: 0.4 µm Gold
 5: 2.0 µm Gold

Number of contacts :
 2: 8 contacts ISO
 3: 16 contacts ISO + AFNOR

GENERAL:
 This L26 connector uses a "sliding" contact technology suitable for most applications.
 It has been designed for easy mounting on the PCB.

ELECTRICAL PROPERTIES:
 Insulation resistance : 5000 MΩ min
 Dielectric withstanding : 750 Vrms min
 Current carrying capacity : 10µA min. 1A max
 Contact resistance : 100mΩ max
 Card sensor type : Normally closed

MECHANICAL PROPERTIES:
 Contact Normal force : 0.6 N max (EMV Standard)
 Insertion force : 10 N max
 Extraction force : 1 N min
 Durability : 10000 card insertions with 0.4µm Gold
 According to UTE C93-421

MATERIAL:
 Housing : PBT 30 % Glass Filled, Colour Black, Rated UL94V0
 Contacts and switch : Phosphor bronze
 Plating : Nickel all over with 3µm mini on contact area
 Gold on contact area : see catalogue part number key
 Tin/Lead 3 µm mini on soldertails
FOR LEAD FREE PLATING :
 Matte Tin 3µm mini on solder tail in place of Tin/Lead
 Bare edge allowed

ENVIRONMENT:
 Operating temperature: -20°C / +70°C
 Storage temperature: -40°C / +85°C
 Printed Circuit Board thickness : 1.6mm

PACKING:
 Tray packing - 25 cnrs/tray
 - 1000 cnrs/box

REFERENCE DOCUMENTS:
 Product specification VGN 11596

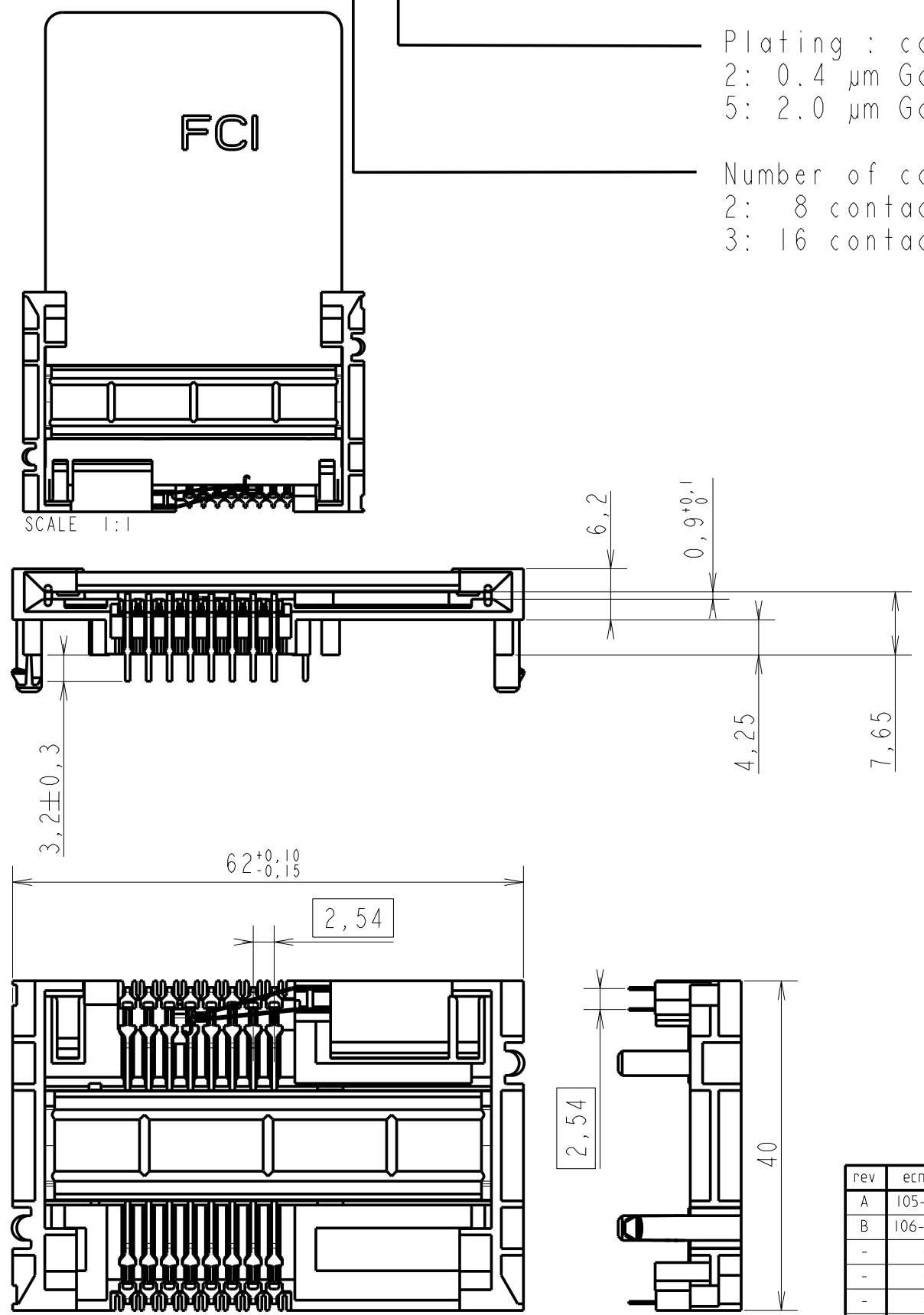
LEAD FREE VERSION:

"This product meets European Union Directives and other country regulations as described in GS-22-008"

The housing will withstand exposure to 260°C peak temperature for 10seconds in a wave solder application with a 1.6mm minimum thick circuit board

A
B
C
D

A
B
C
D



General Tolerances: ± 0.2 mm

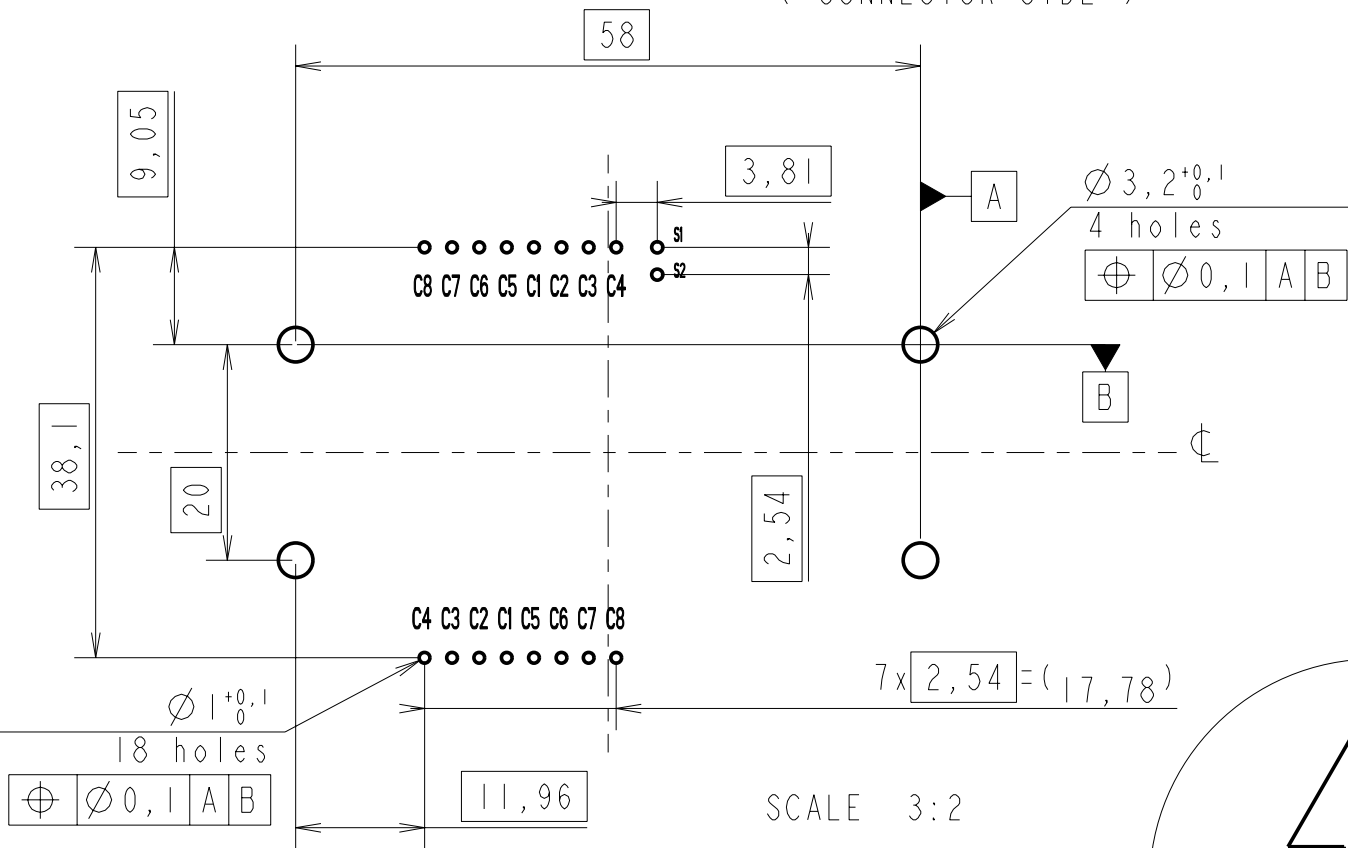
rev	ecn no	dr	date
A	105-0155	NT	'05/08/10
B	106-0084	SSC	'06/06/21
-	-	-	-
-	-	-	-
-	-	-	-
-	-	-	-

www.fciconnect.com		surface - <input checked="" type="checkbox"/> ISO 1302	tolerance std ISO 406 ISO 1101	projection	mm
TOLERANCES UNLESS OTHERWISE SPECIFIED					
Dr	N.TWENCY	'05/08/10	ANGULAR	0.X ±	size A3
Eng	DILIPTHOMAS	'05/08/10	LINEAR	0.XX ±	Scale 3:2
Chr	DILIPTHOMAS	'06/06/21	0° ±	0.XXX ±	ECN 106-0084
Appr	K.V.SIVADAS	'06/06/21	Product family	5S2F	Spec ref SEE NOTES
		title L26 TYPE F05		dwg no 7334L2622F05001	Rev. B
		catalog no	SEE TABLE	CUSTOMER	sheet 1 of 2

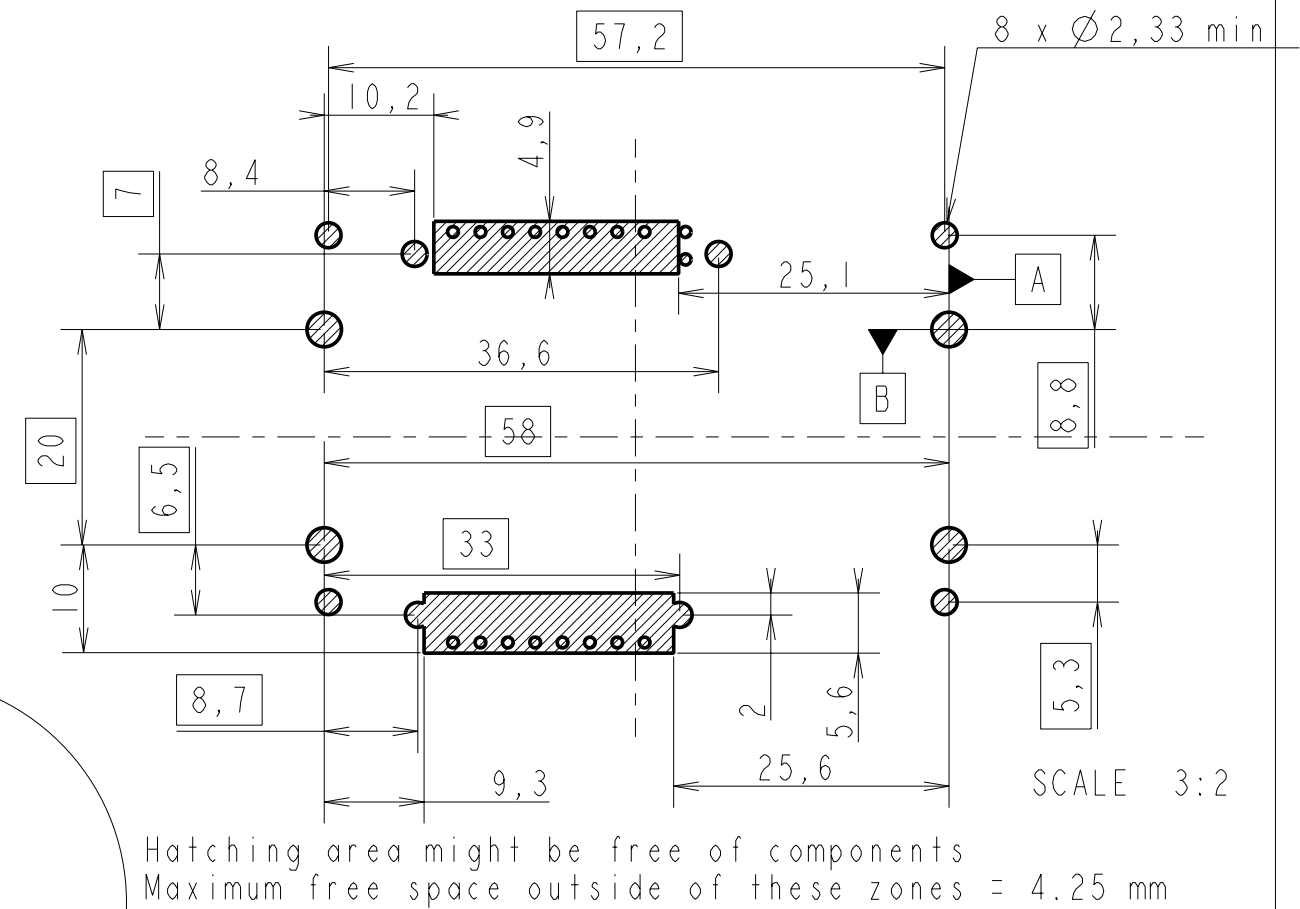


Copyright FCI.

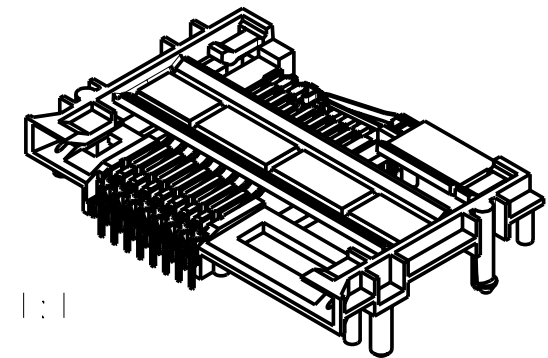
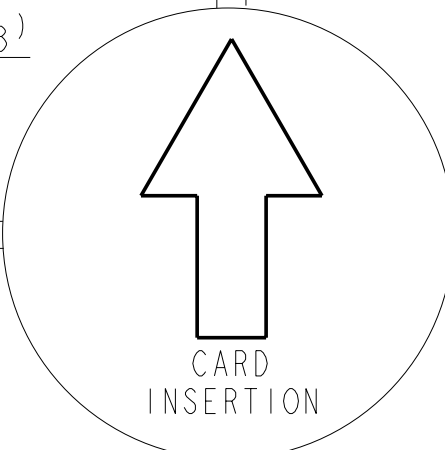
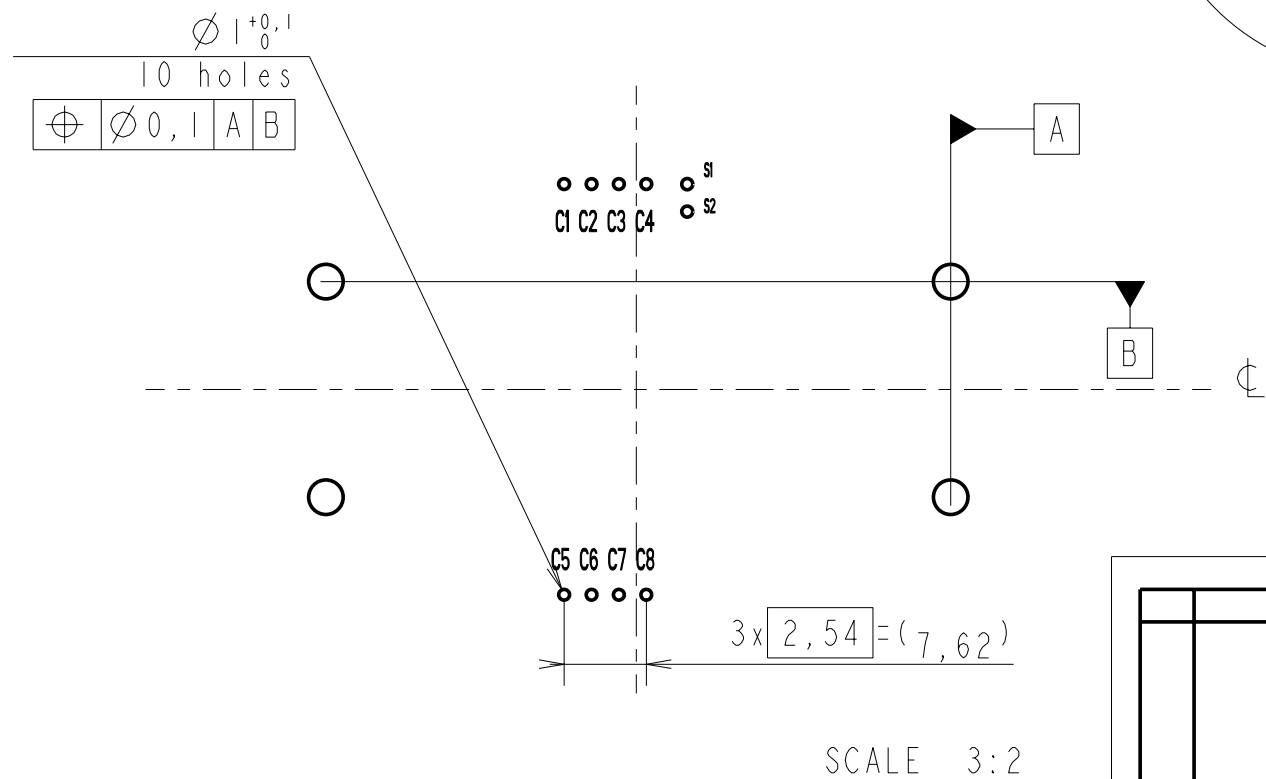
RECOMMENDED PCB LAYOUT CONTACT CONFIGURATION : ISO & AFNOR (CONNECTOR SIDE)



STANDARD LAYOUT FOR 'KEEP OUT ZONE' (Connector Side)



RECOMMENDED PCB LAYOUT CONTACT CONFIGURATION : ISO (CONNECTOR SIDE)



General Tolerances: ± 0.2 mm

EUROPEAN PROJECTION

www.fciconnect.com		surface - ✓ ISO 1302	tolerance std ISO 406 ISO 1101	projection mm
TOLERANCES UNLESS OTHERWISE SPECIFIED				
Dr	N.TWENCY	'05/08/10	ANGULAR	0.X ±
Eng	DILIPTHOMAS	'05/08/10	LINEAR	0.XX ±
Chr	DILIPTHOMAS	'06/06/21	0° ±°	0.XXX ±
Appr	K.V.SIVADAS	'06/06/21	Product family	5S2F
title		L26 TYPE F05		Rev.
catalog no		SEE TABLE	7334L2622F05001	B
dwg no		CUSTOMER		sheet 2 of 2

Copyright FCI. FCI