



Chipsmall Limited consists of a professional team with an average of over 10 year of expertise in the distribution of electronic components. Based in Hongkong, we have already established firm and mutual-benefit business relationships with customers from,Europe,America and south Asia,supplying obsolete and hard-to-find components to meet their specific needs.

With the principle of “Quality Parts,Customers Priority,Honest Operation,and Considerate Service”,our business mainly focus on the distribution of electronic components. Line cards we deal with include Microchip,ALPS,ROHM,Xilinx,Pulse,ON,Everlight and Freescale. Main products comprise IC,Modules,Potentiometer,IC Socket,Relay,Connector.Our parts cover such applications as commercial,industrial, and automotives areas.

We are looking forward to setting up business relationship with you and hope to provide you with the best service and solution. Let us make a better world for our industry!



Contact us

Tel: +86-755-8981 8866 Fax: +86-755-8427 6832

Email & Skype: info@chipsmall.com Web: www.chipsmall.com

Address: A1208, Overseas Decoration Building, #122 Zhenhua RD., Futian, Shenzhen, China



7334L2622F13LF

Lead Free Version (Optional)

Durability
 0: 2500 Mating Cycles
 2: 10000 Mating Cycles
 5: 100000 Mating Cycles

Number of contacts :
 2: 8 contacts ISO
 3: 16 contacts ISO + AFNOR

GENERAL:

This L26 connector uses a "sliding" contact technology suitable for most applications. It has been designed for easy mounting on the PCB.

ELECTRICAL PROPERTIES:

Insulation resistance : 5000 MΩ min
 Dielectric withstanding : 750 Vrms min
 Current carrying capacity : 10µA min. 1A max
 Contact resistance : 100mΩ max
 Card sensor type : Normally closed

MECHANICAL PROPERTIES:

Contact Normal force : 0.6 N max (EMV Standard)
 Insertion force : 10 N max
 Extraction force : 1 N min

MATERIAL:

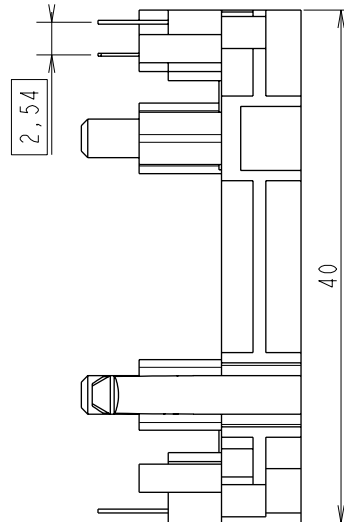
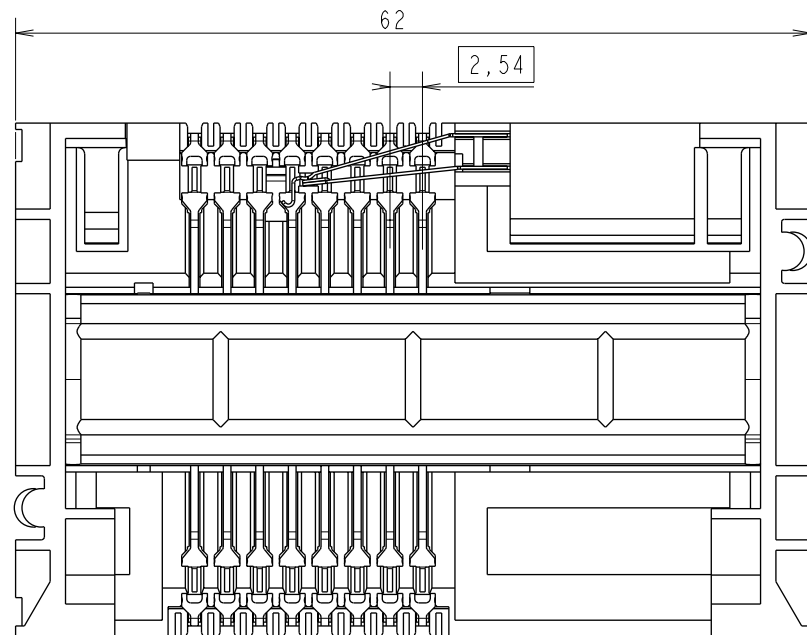
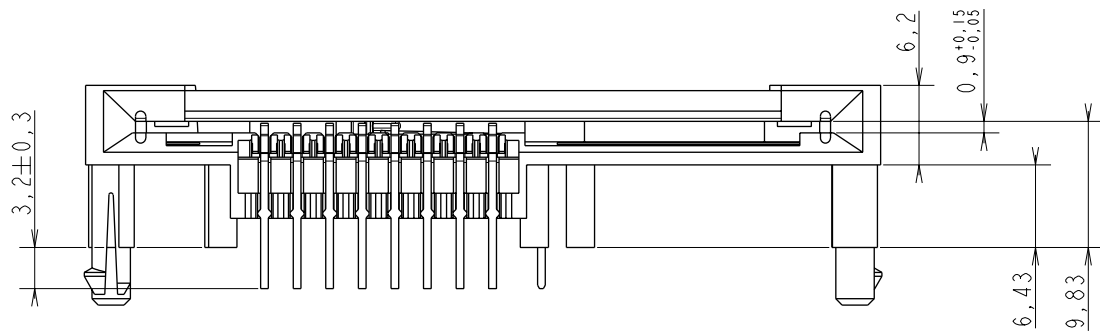
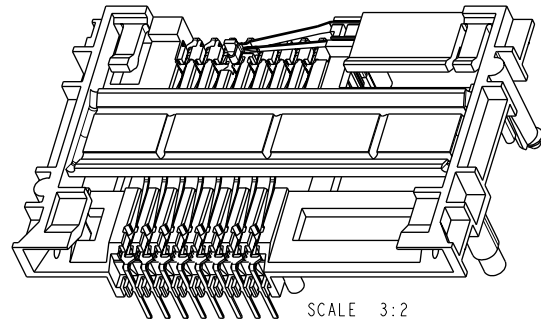
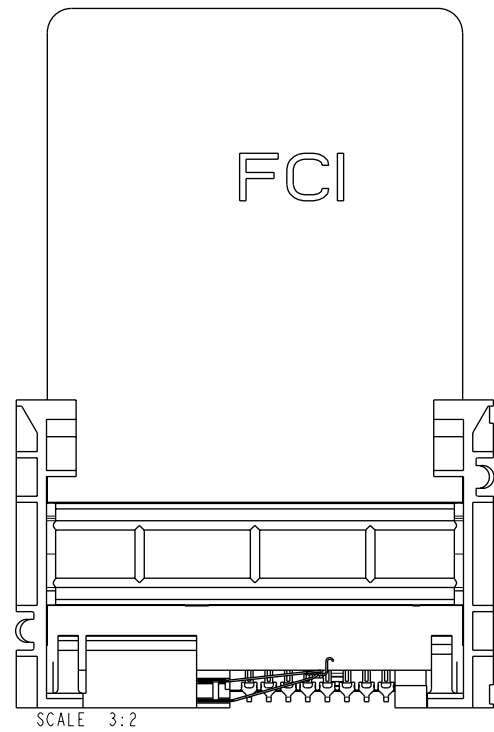
Housing : Thermoplastic, Colour Black, Rated UL94V0
 Contacts and switch : Copper Alloy
 Plating : Gold over Nickel on contact area
 Matte Tin over Nickel on solder tails
 Bare edge allowed

ENVIRONMENT:

Operating temperature: -20°C / +70°C
 Storage temperature: -40°C / +85°C
 Printed Circuit Board thickness : 1.6mm

REFERENCE DOCUMENTS:

Product specification VGN 11596
 Packaging Specification VGN 11619



General Tolerances: ± 0.2 mm

LEAD FREE VERSION:

"This product meets European Union Directives and other country regulations as described in GS-22-008"

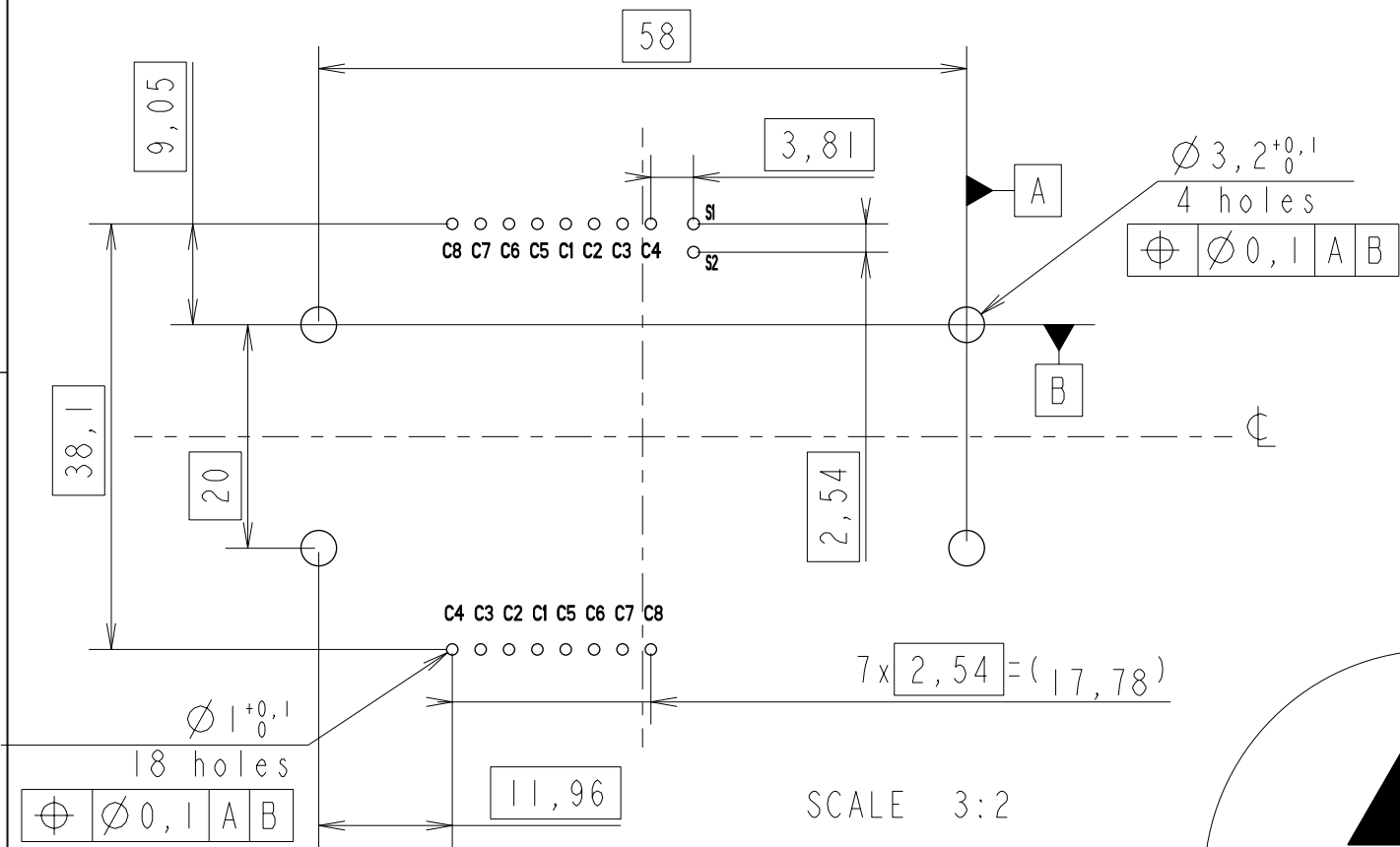
The housing will withstand exposure to 260°C peak temperature for 10seconds in a wave solder application with a 1.6mm minimum thick circuit board. Use protective adhesive tape (Kapton or Teflon) or protective metallic devices on the areas which are directly exposed to wave soldering as it is used in classical leaded wave soldering

EUROPEAN PROJECTION

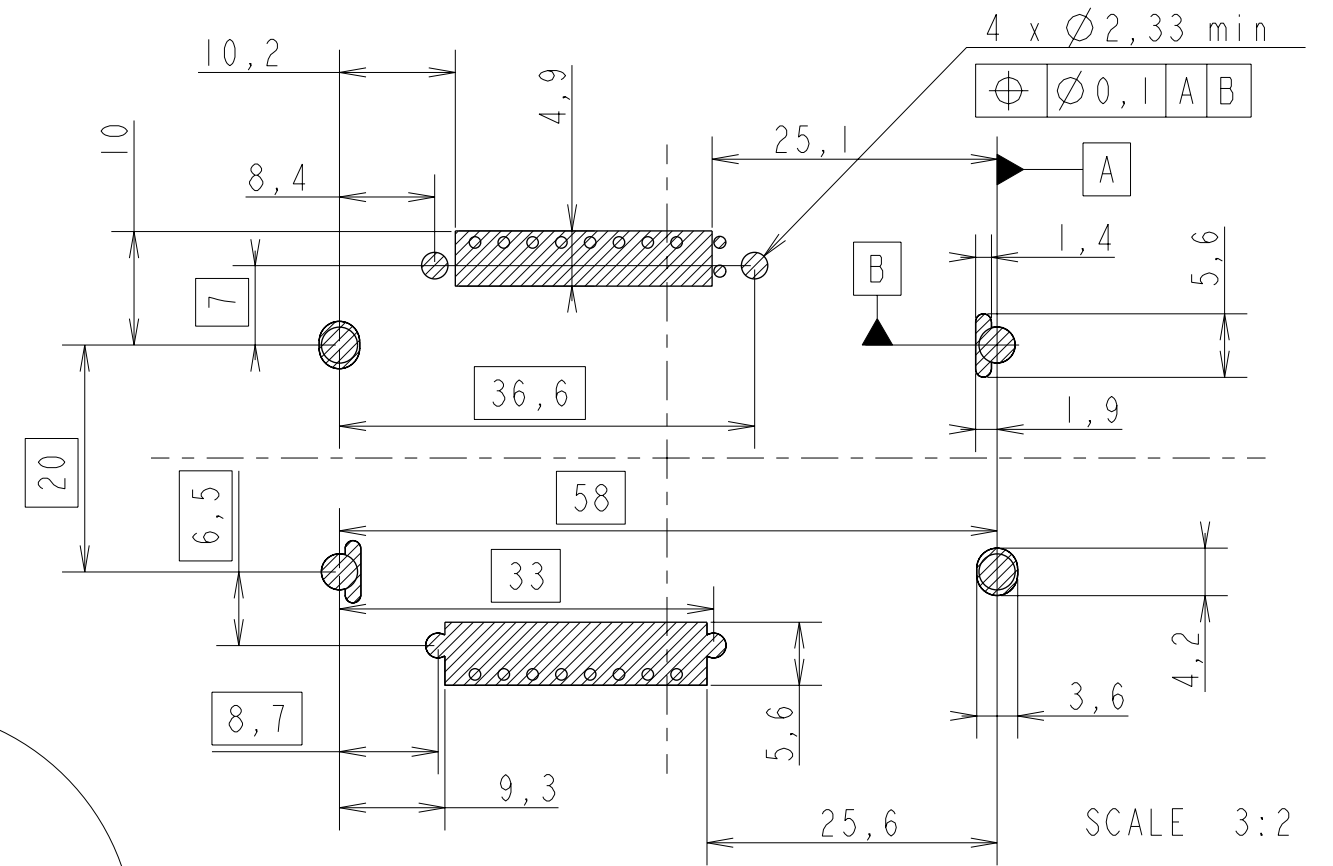
www.fciconnect.com		surface - ✓	tolerance std ISO 1302	ISO 406	ISO 1101	projection	mm
		TOLERANCES UNLESS OTHERWISE SPECIFIED				⊕	←
Dr	N. TWINCY	2002/04/30	ANGULAR	0.X	±	size A2	Scale 5:2
Eng	F. TISSERAND	2002/04/30	LINEAR	0.XX	±		
Chr	RAMESH.P.K	2009/04/15	0° ±°	0.XXX	±	ECN	109-0057
Appr	S.S.CHERIAN	2009/04/15	Product family	SMART CARDS	Spec ref	SEE NOTES	
litr	ecn no	dr	date				
A	F20307	DLE	2002/04/30				
B	LS 3053	JTA	2003/05/13				
C	105-0071	DTK	2005/05/10				
D	106-0084	SSC	2006/06/21				
E	106-0183	SSC	2006/10/05				
F	109-0057	SSC	2009/04/15				
-	-	-	-				
FCI		L26 TYPE F13		dwg no		VJW_54825	
				catalog no		See Table	
						Rev. F	
						sheet 1 of 2	

RECOMMENDED PCB LAYOUT

CONTACT CONFIGURATION : ISO & AFNOR
(CONNECTOR SIDE)



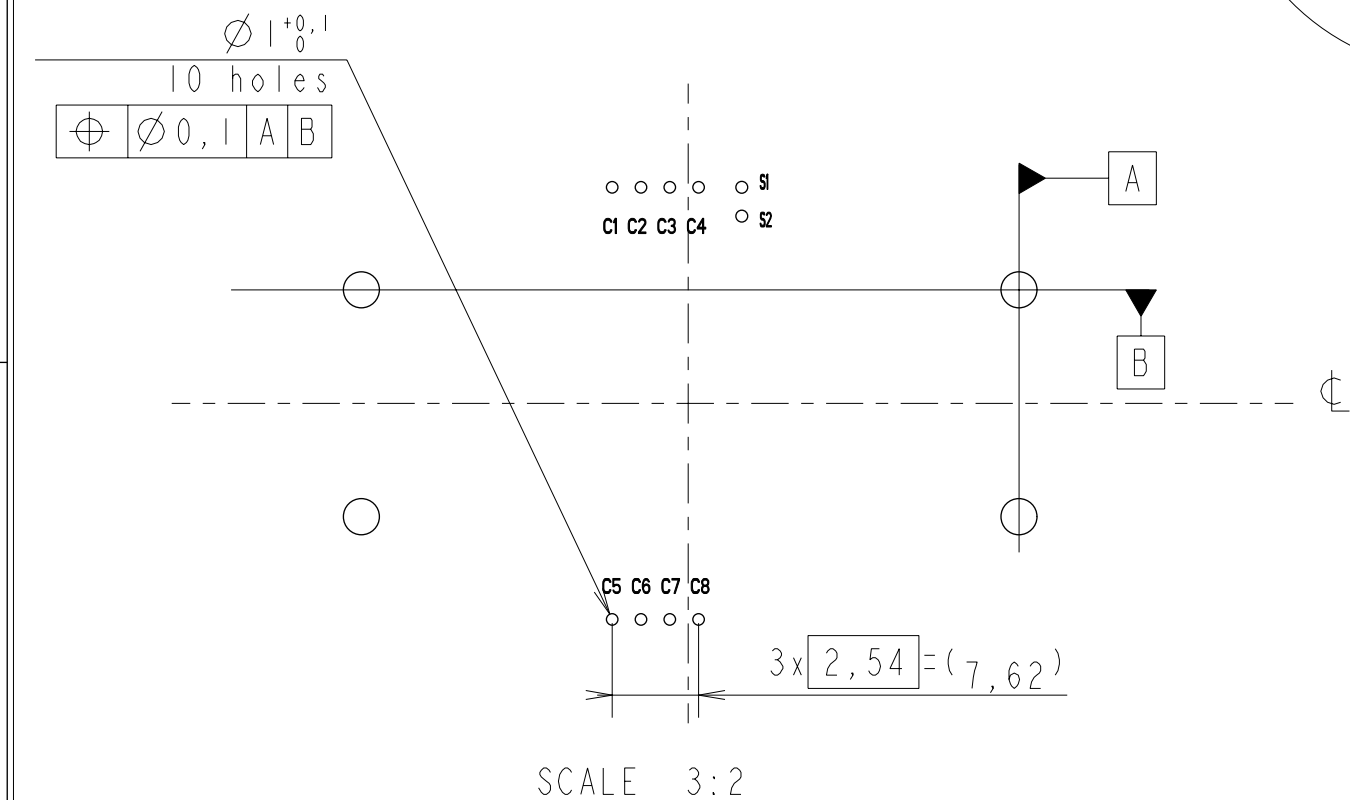
STANDARD LAYOUT FOR 'KEEP OUT ZONE' (Connector Side)



Hatching area might be free of components
Maximum free space outside of these zones = 6.4 mm

RECOMMENDED PCB LAYOUT

CONTACT CONFIGURATION : ISO
(CONNECTOR SIDE)



EUROPEAN PROJECTION

www.fciconnect.com		surface ISO 1302	tolerance std ISO 406 ISO 1101	projection mm
TOLERANCES UNLESS OTHERWISE SPECIFIED				
Dr	N.TWINCY	2002/04/30	0.X ±	size A3
Eng	F.TISSERAND	2002/04/30	0.XX ±	Scale 3:2
Chr	RAMESH.P.K	2009/04/15	0.XXX ±	ECN 109-0057
Appr	S.S.CHERIAN	2009/04/15	Product family SMART CARDS	Spec ref SEE NOTES
FCi		title L26 TYPE F13		Rev. F
catalog no		See Table		dwg no VJW_54825
				sheet 2 of 2