



Chipsmall Limited consists of a professional team with an average of over 10 year of expertise in the distribution of electronic components. Based in Hongkong, we have already established firm and mutual-benefit business relationships with customers from,Europe,America and south Asia,supplying obsolete and hard-to-find components to meet their specific needs.

With the principle of “Quality Parts,Customers Priority,Honest Operation,and Considerate Service”,our business mainly focus on the distribution of electronic components. Line cards we deal with include Microchip,ALPS,ROHM,Xilinx,Pulse,ON,Everlight and Freescale. Main products comprise IC,Modules,Potentiometer,IC Socket,Relay,Connector.Our parts cover such applications as commercial,industrial, and automotives areas.

We are looking forward to setting up business relationship with you and hope to provide you with the best service and solution. Let us make a better world for our industry!



Contact us

Tel: +86-755-8981 8866 Fax: +86-755-8427 6832

Email & Skype: info@chipsmall.com Web: www.chipsmall.com

Address: A1208, Overseas Decoration Building, #122 Zhenhua RD., Futian, Shenzhen, China



MATERIALS AND FINISHES

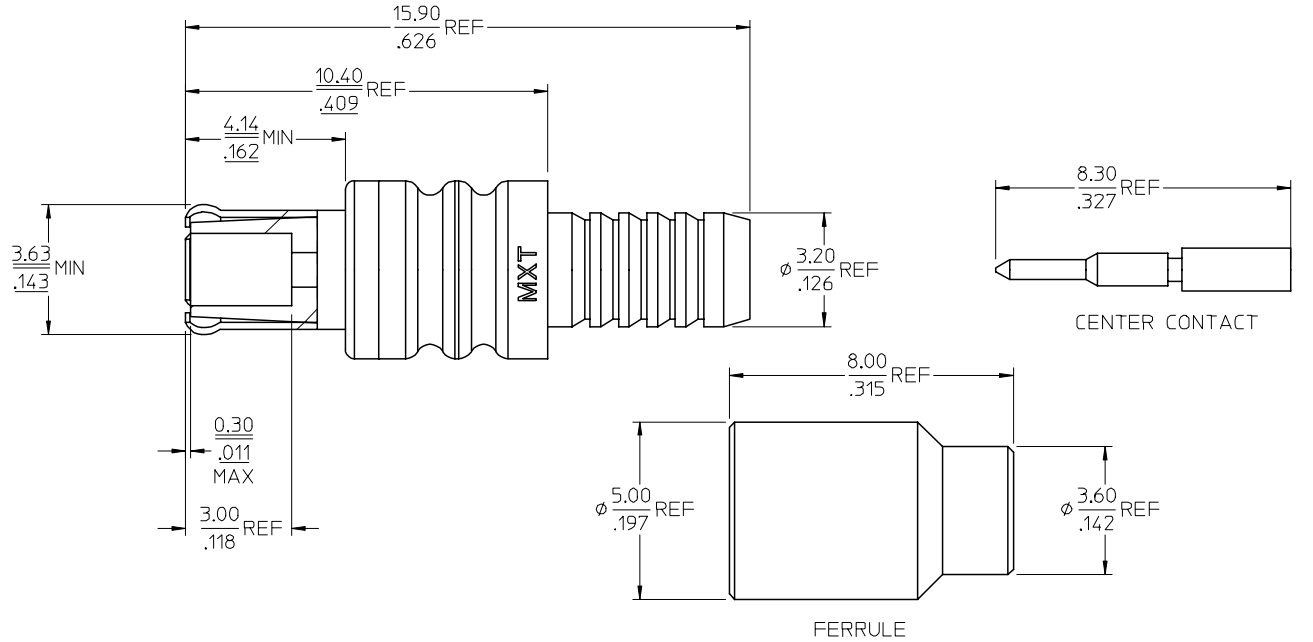
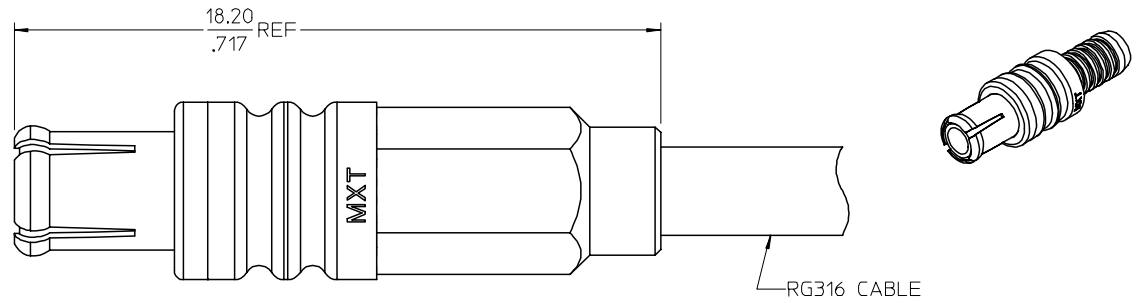
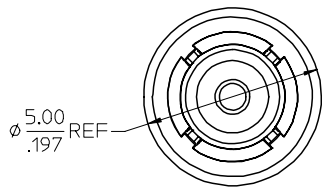
BODY ZINC ALLOY
PLATED SEE TABLE

OUTER CONTACT BERYLLIUM COPPER
PLATED GOLD (10 MICROINCHES MIN)

CENTER CONTACT BRASS
PLATED GOLD (10 MICROINCHES MIN)

INSULATOR TEFLON

FERRULE BRASS
PLATED SEE TABLE



PART # SEE TABLE

73366-0301	GOLD (1 MICROINCHES MIN)
73366-0300	NICKEL (70 MICROINCHES MIN)
PART NO.	PLATING

AS-73392-0060	CABLE ASSEMBLY INSTR.
SPECIFICATION	DESCRIPTION

UNLESS OTHERWISE SPECIFIED DIMS ARE MILLIMETERS AND ANGLES ARE DEGREES.

- ALL OVER.
- NO CHATTER OR NON-UNIFORM SURFACE FINISH ALLOWED.
- PARTS TO BE FREE OF BURRS & SHARP EDGES 0.13(005) MAX BREAK.
- EXTERNAL THREADS TO BE ROLLED OR SINGLE POINT.
- DIAMETERS TO BE CONCENTRIC WITHIN 0.08(003) TIR.

CHG: LOADED INTO WORKMANAGER
REDREW IN SD
CHANGED ALL DIMS FROM IN/MM TO MM/IN
ADDED CABLED AND ISO VIEWS
ADDED PLATING THICKNESSES
REMOVED SHEET 2
ADDED PLATING TABLE
ADDED AS-73392-0060
FC NO: URF2005-0227
DRAWN: FLAHERTY 2004/12/02
CHKD: SSHAH 2004/12/02
APPR: JMLENER 2004/12/02

QUALITY SYMBOLS

 DESCRIPTION
 A1

GENERAL TOLERANCES (UNLESS SPECIFIED)	
4 PLACES	± .005
3 PLACES	± .004
2 PLACES	± .003
1 PLACE	± .002
ANGULAR ± 2 °	
DRAFT WHERE APPLICABLE MUST REMAIN WITHIN DIMENSIONS	

DIMENSION STYLE	
MM/IN	
DRAWN BY	DATE
CLAIRE	2001/04/02
CHECKED BY	DATE
APPROVED BY	DATE
MATERIAL NO.	
SEE TABLE	
DOCUMENT NO.	
SD-73366-030	
SHEET NO.	
1 OF 1	

SCALE	DESIGN UNITS	THIRD ANGLE PROJECTION
	METRIC	
TITLE		
MCX PLUG, STR, FOR RG316 50 OHMS, CRIMP/CRIMP EWR-2672 MCX-PC		
MOLEX INCORPORATED		
THIS DRAWING CONTAINS INFORMATION THAT IS PROPRIETARY TO MOLEX INCORPORATED AND SHOULD NOT BE USED WITHOUT WRITTEN PERMISSION		