



Chipsmall Limited consists of a professional team with an average of over 10 year of expertise in the distribution of electronic components. Based in Hongkong, we have already established firm and mutual-benefit business relationships with customers from,Europe,America and south Asia,supplying obsolete and hard-to-find components to meet their specific needs.

With the principle of “Quality Parts,Customers Priority,Honest Operation,and Considerate Service”,our business mainly focus on the distribution of electronic components. Line cards we deal with include Microchip,ALPS,ROHM,Xilinx,Pulse,ON,Everlight and Freescale. Main products comprise IC,Modules,Potentiometer,IC Socket,Relay,Connector.Our parts cover such applications as commercial,industrial, and automotives areas.

We are looking forward to setting up business relationship with you and hope to provide you with the best service and solution. Let us make a better world for our industry!



Contact us

Tel: +86-755-8981 8866 Fax: +86-755-8427 6832

Email & Skype: info@chipsmall.com Web: www.chipsmall.com

Address: A1208, Overseas Decoration Building, #122 Zhenhua RD., Futian, Shenzhen, China



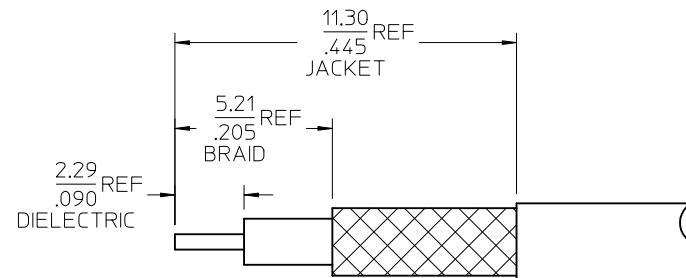
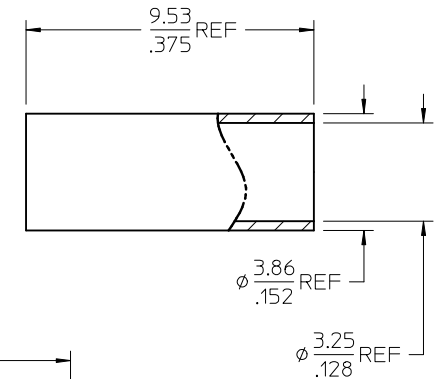
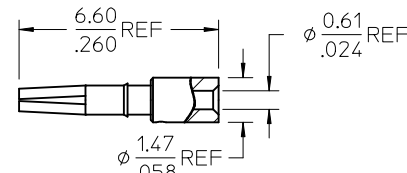
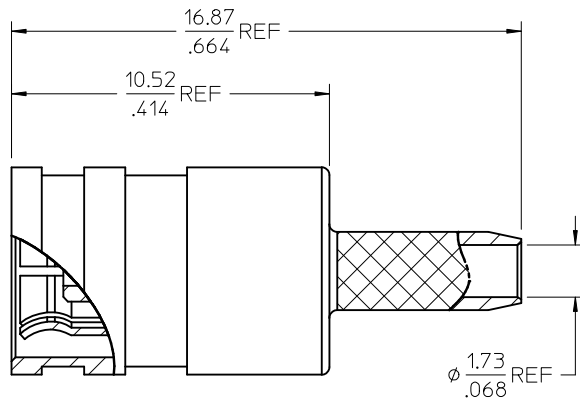
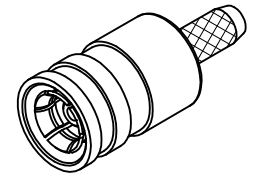
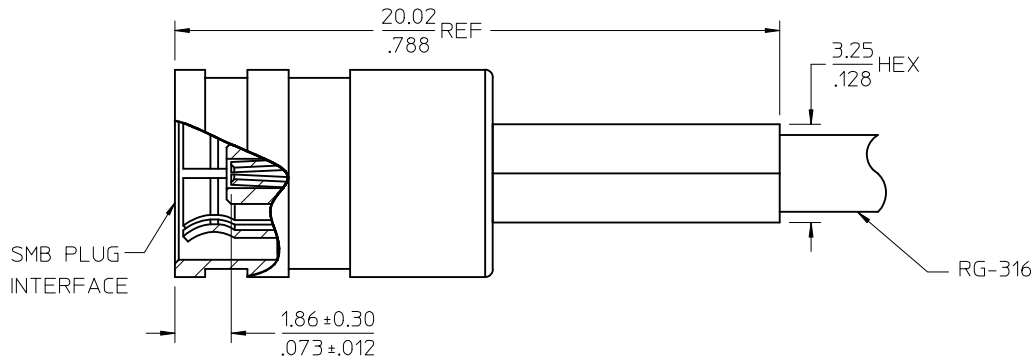
MATERIALS AND FINISHES:

BODY, CRIMP TUBE: BRASS
PLATED NICKEL

CENTER CONTACT: PHOSPHOR BRONZE
PLATED GOLD

INSULATOR: TEFLON

OUTER CONTACT: BERYLLIUM COPPER
PLATED NICKEL



PART # 73404-0710

MIL-STD-348A, FIG. 311-2	INTERFACE
SPECIFICATION	DESCRIPTION

RECOMMENDED STRIPPING DIMENSIONS

CHG: BODY WAS ZINC	EC NO: URF2011-0692	QUALITY SYMBOLS	GENERAL TOLERANCES (UNLESS SPECIFIED)	DIMENSION STYLE	SCALE	DESIGN UNITS	THIRD ANGLE PROJECTION	
	DRWN: WIENER 2011/06/13	DESCRIPTION		MM/IN	METRIC			
CHKD: SSS 2011/06/13	APPR: WIENER 2011/06/13	▽=0	4 PLACES ± --- ± ---	DRAWN BY	DATE	TITLE		
		▽=0	3 PLACES ± --- ± ---	SSS	2001/11/10	SMB PLUG STR RG-316		
			2 PLACES ± --- ± ---	CHECKED BY	DATE	50 OHMS, EWR-1503		
			1 PLACE ± --- ± ---	TEF	2001/11/10	SMB-PC		
			ANGULAR ± 2 °	APPROVED BY	DATE			
				GMH	2001/11/10			
			DRAFT WHERE APPLICABLE MUST REMAIN WITHIN DIMENSIONS	MATERIAL NO.	DOCUMENT NO.			
				734040710	SD-73404-071			
				SIZE				
				C	THIS DRAWING CONTAINS INFORMATION THAT IS PROPRIETARY TO MOLEX INCORPORATED AND SHOULD NOT BE USED WITHOUT WRITTEN PERMISSION			SHEET NO. 1 OF 1