



Chipsmall Limited consists of a professional team with an average of over 10 year of expertise in the distribution of electronic components. Based in Hongkong, we have already established firm and mutual-benefit business relationships with customers from,Europe,America and south Asia,supplying obsolete and hard-to-find components to meet their specific needs.

With the principle of "Quality Parts,Customers Priority,Honest Operation,and Considerate Service",our business mainly focus on the distribution of electronic components. Line cards we deal with include Microchip,ALPS,ROHM,Xilinx,Pulse,ON,Everlight and Freescale. Main products comprise IC,Modules,Potentiometer,IC Socket,Relay,Connector.Our parts cover such applications as commercial,industrial, and automotives areas.

We are looking forward to setting up business relationship with you and hope to provide you with the best service and solution. Let us make a better world for our industry!



Contact us

Tel: +86-755-8981 8866 Fax: +86-755-8427 6832

Email & Skype: info@chipsmall.com Web: www.chipsmall.com

Address: A1208, Overseas Decoration Building, #122 Zhenhua RD., Futian, Shenzhen, China



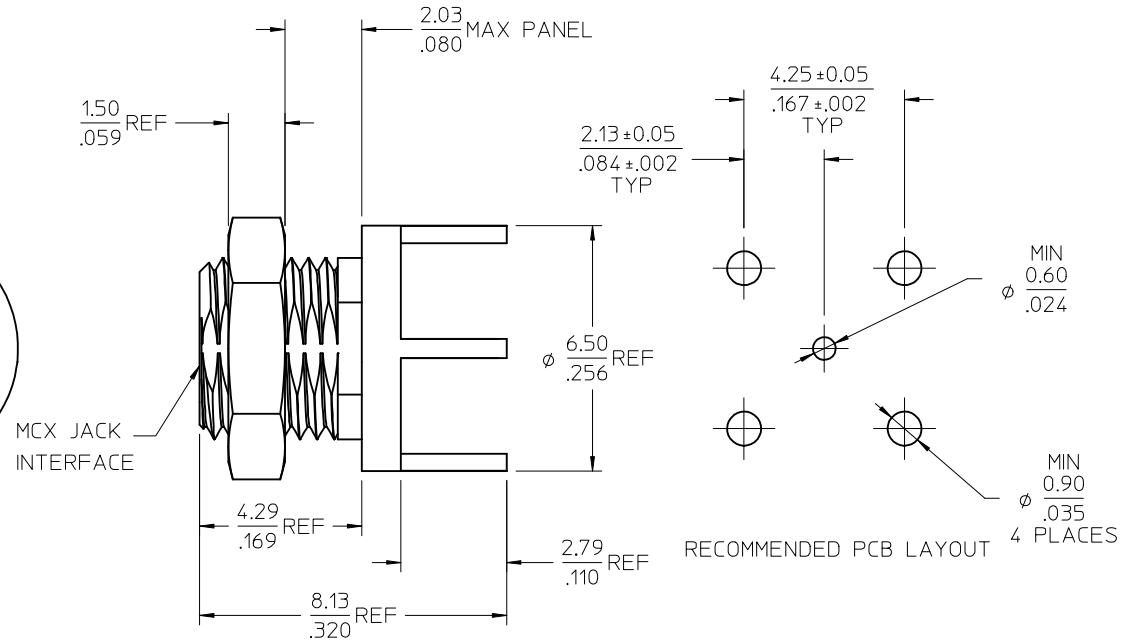
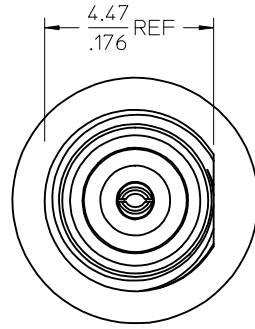
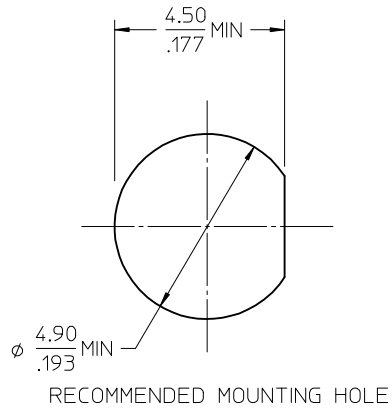
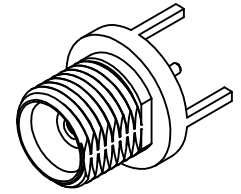
MATERIALS AND FINISHES

BODY: BRASS
PLATED SEE TABLE

CENTER CONTACT: BERYLLIUM COPPER
PLATED GOLD

INSULATOR: TEFLON

NUT: BRASS
PLATED SEE TABLE



		73415-1043	P/N 73415-1040 EXCEPT NO HARDWARE, BULK PACK
		73415-1042	P/N 73415-1040, ONE PER BAG
		73415-1041	BODY/NUT NICKEL PLATED, BULK
		73415-1040	BODY/NUT GOLD PLATED, BULK
PS-73598-0132	ELECTRO/MECH SPEC.		
ES-73599-0180	INTERFACE		
SPECIFICATION	DESCRIPTION	PART NO.	PLATING AND PACKAGING

CHG: ADDED P/N 73415-1043 EC NO: URF2009-0675 2009/05/29 DRWN: WIENER 2009/05/29 CHKD: SHAH 2009/05/29 APPR: WIENER 2009/05/29 REV: A3	QUALITY SYMBOLS ▽=0 ▽=0	GENERAL TOLERANCES (UNLESS SPECIFIED) mm INCH 4 PLACES ± --- ± --- 3 PLACES ± --- ± --- 2 PLACES ± --- ± --- 1 PLACE ± --- ± --- ANGULAR ± 2 °	DIMENSION STYLE MM/IN DRAWN BY DATE TEF 1999/02/17 CHECKED BY DATE DHG 1999/02/17 APPROVED BY DATE GMH 1999/02/17	SCALE DESIGN UNITS METRIC THIRD ANGLE PROJECTION	TITLE MCX JACK VERT BKHD PCB 50 OHM MCX-J/PCB				
					MATERIAL NO. SEE TABLE		DOCUMENT NO. SD-73415-104		SHEET NO. 1 OF 1
					DRAFT WHERE APPLICABLE MUST REMAIN WITHIN DIMENSIONS				