



Chipsmall Limited consists of a professional team with an average of over 10 year of expertise in the distribution of electronic components. Based in Hongkong, we have already established firm and mutual-benefit business relationships with customers from,Europe,America and south Asia,supplying obsolete and hard-to-find components to meet their specific needs.

With the principle of “Quality Parts,Customers Priority,Honest Operation,and Considerate Service”,our business mainly focus on the distribution of electronic components. Line cards we deal with include Microchip,ALPS,ROHM,Xilinx,Pulse,ON,Everlight and Freescale. Main products comprise IC,Modules,Potentiometer,IC Socket,Relay,Connector.Our parts cover such applications as commercial,industrial, and automotives areas.

We are looking forward to setting up business relationship with you and hope to provide you with the best service and solution. Let us make a better world for our industry!



Contact us

Tel: +86-755-8981 8866 Fax: +86-755-8427 6832

Email & Skype: info@chipsmall.com Web: www.chipsmall.com

Address: A1208, Overseas Decoration Building, #122 Zhenhua RD., Futian, Shenzhen, China



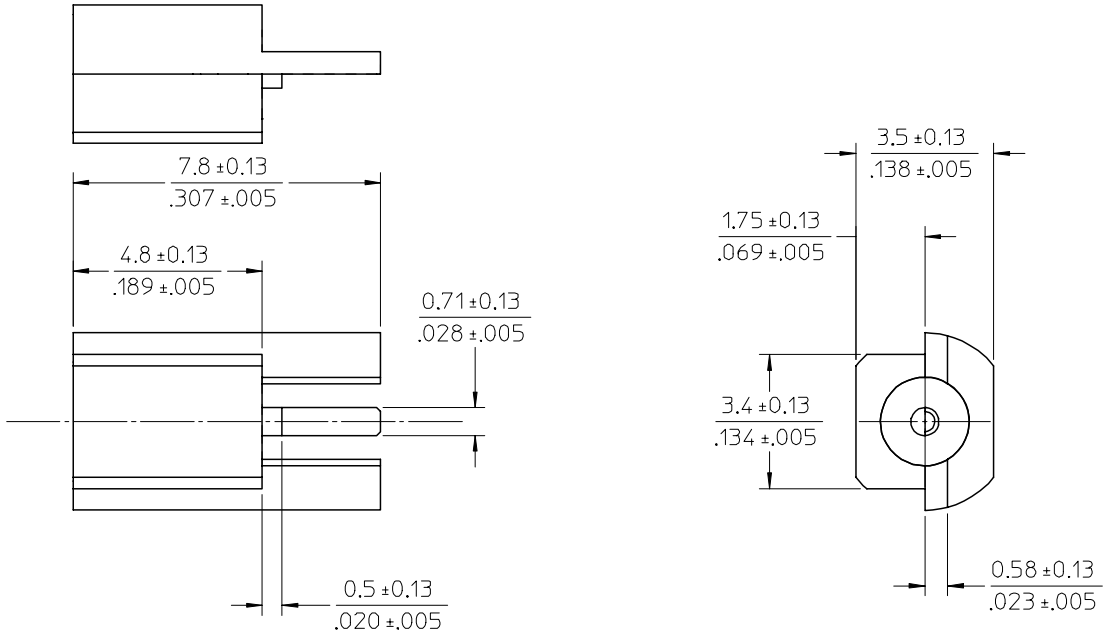
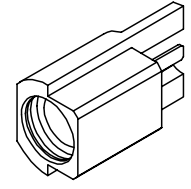
10 9 8 7 6 5 4 3 2 1

MATERIALS AND FINISHES

BODY
BRASS
PLATED GOLD

CENTER CONTACT
BERYLLIUM COPPER
PLATED GOLD

INSULATOR
TEFLON



2	ES-7599-0000-0160	INTERFACE
1	PS-89675-1910	ELECTRO/MECH PERFORMANCE
	PART	DESCRIPTION

3	73415-1262	PER COMMERCIAL REQUIREMENT	TAPE & REEL(SEE SHEET 2)
2	73415-1261	PER COMMERCIAL REQUIREMENT	TRAY
1	73415-1260	PER MILITARY REQUIREMENTS	TRAY
	PART	PLATING	PACKAGE

CHG:ADD 734151262
WITH TAP & REEL
EC No: JRF 2005-0768
DRAWN: JSAO 2005/05/09
CHKD: 2005/05/09
APPR: MIUANG 2005/05/09

QUALITY SYMBOLS
 = 0
 = 0

GENERAL TOLERANCES (UNLESS SPECIFIED)

	mm	INCH
4 PLACES	± .005	± .0002
3 PLACES	± .005	± .0002
2 PLACES	± 0.15	± .005
1 PLACE	± 0.25	± .010
ANGULAR ± 2 °		

DRAFT WHERE APPLICABLE
MUST REMAIN WITHIN DIMENSIONS

DIMENSION STYLE
MM/IN

DRAWN BY	DATE
JOHN	2005/02/14
CHECKED BY	DATE
KERRIE	2005/02/14
APPROVED BY	DATE
MISEN	2005/02/14

MATERIAL NO.
SD-73415-126

SCALE
1:1

DESIGN UNITS
METRIC

THIRD ANGLE PROJECTION

MMCX JACK
EDGE LAUNCHER
MMCX-J/PCB

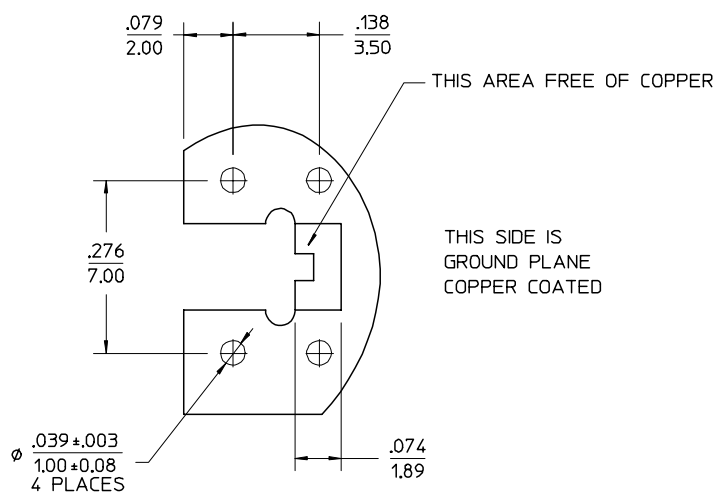
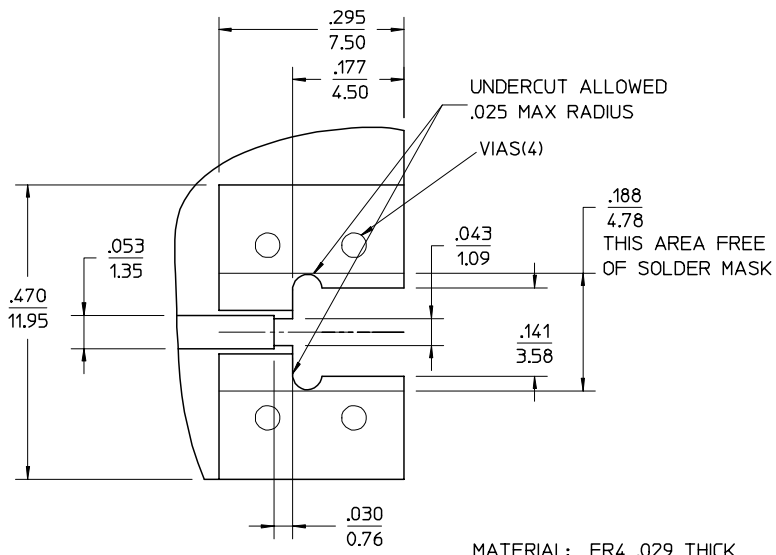
MOLEX INCORPORATED

DOCUMENT NO.
SD-73415-126

SHEET NO.
1 OF 2

THIS DRAWING CONTAINS INFORMATION THAT IS PROPRIETARY TO MOLEX INCORPORATED AND SHOULD NOT BE USED WITHOUT WRITTEN PERMISSION

9 8 7 6 5 4 3 2 1



ENTER DESCRIPTION EC NO: URF2005-0275 DRAWN: JSAO 2005/01/24 CHKD: JOHNSON 2005/01/27 APPR: MUANG 2005/01/27	QUALITY SYMBOLS = 0 = 0	GENERAL TOLERANCES (UNLESS SPECIFIED)		DIMENSION STYLE IN/MM	SCALE ---	DESIGN UNITS METRIC	THIRD ANGLE PROJECTION		
		4 PLACES ± --- ± ---	mm INCH	DRAWN BY JOHN	DATE 2004/10/04	TITLE MMCX JACK, EDGE LAUNCHER MMCX-J/PCB			
		3 PLACES ± 0.05 ± ---		CHECKED BY PAT	DATE 2004/10/04	MOLEX INCORPORATED			
		2 PLACES ± 0.08 ± ---		APPROVED BY MISEN	DATE 2004/10/04	DOCUMENT NO. SD-73415-126	SHEET NO. 2 OF 02		
1 PLACE ± 0.10 ± ---		ANGULAR ± 2 °		MATERIAL NO. SEE TABLE					
C1	REV	DRAFT WHERE APPLICABLE MUST REMAIN WITHIN DIMENSIONS		SIZE A3		THIS DRAWING CONTAINS INFORMATION THAT IS PROPRIETARY TO MOLEX INCORPORATED AND SHOULD NOT BE USED WITHOUT WRITTEN PERMISSION			