



Chipsmall Limited consists of a professional team with an average of over 10 year of expertise in the distribution of electronic components. Based in Hongkong, we have already established firm and mutual-benefit business relationships with customers from,Europe,America and south Asia,supplying obsolete and hard-to-find components to meet their specific needs.

With the principle of “Quality Parts,Customers Priority,Honest Operation,and Considerate Service”,our business mainly focus on the distribution of electronic components. Line cards we deal with include Microchip,ALPS,ROHM,Xilinx,Pulse,ON,Everlight and Freescale. Main products comprise IC,Modules,Potentiometer,IC Socket,Relay,Connector.Our parts cover such applications as commercial,industrial, and automotives areas.

We are looking forward to setting up business relationship with you and hope to provide you with the best service and solution. Let us make a better world for our industry!



Contact us

Tel: +86-755-8981 8866 Fax: +86-755-8427 6832

Email & Skype: info@chipsmall.com Web: www.chipsmall.com

Address: A1208, Overseas Decoration Building, #122 Zhenhua RD., Futian, Shenzhen, China



MATERIALS AND FINISHES

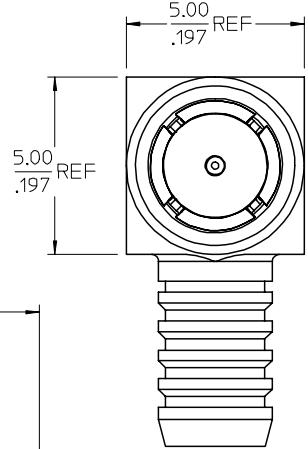
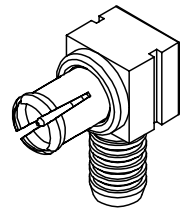
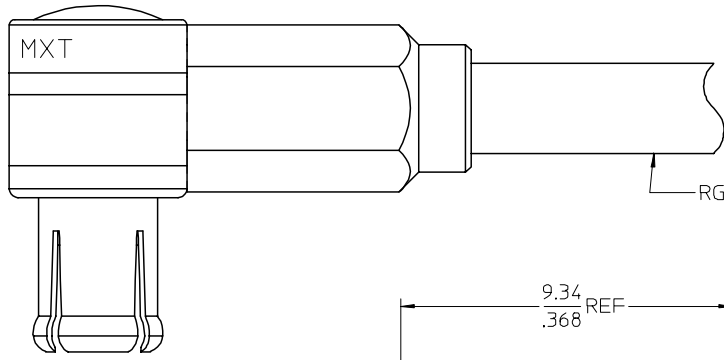
BODY ZINC ALLOY
PLATED NICKEL (70 MICROINCHES MIN)

CENTER CONTACT BRASS
PLATED GOLD (10 MICROINCHES MIN)

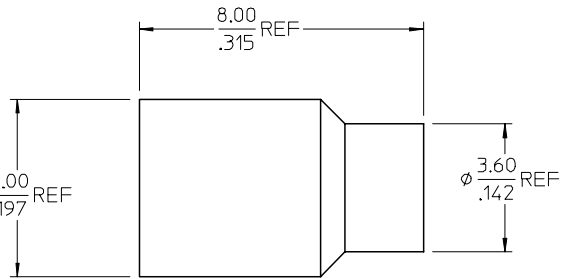
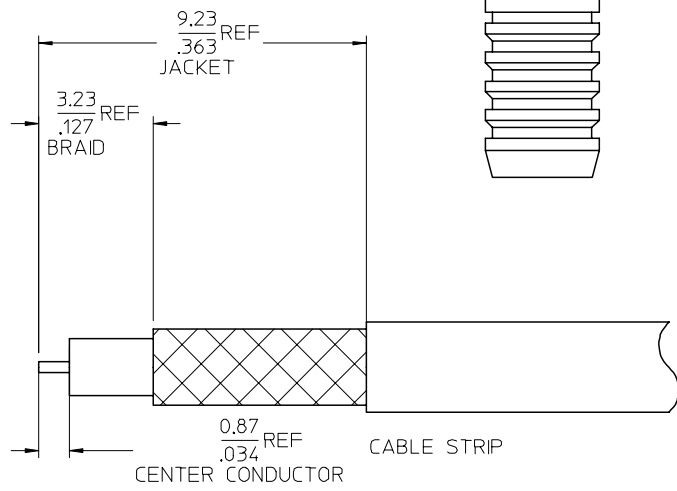
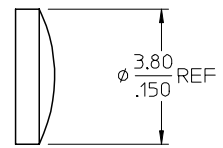
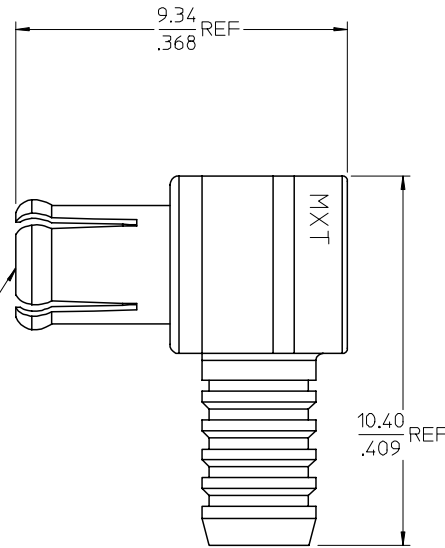
INSULATOR TEFLON

OUTER CONTACT BERYLLIUM COPPER
PLATED PLATED GOLD (10 MICROINCHES MIN)

CRIMP DIE: 4.08(.161) HEX



MCX PLUG, 75 OHM
INTERFACE



PART # 73415-5190

- UNLESS OTHERWISE SPECIFIED DIMS ARE MILLIMETERS AND ANGLES ARE DEGREES.
- $\frac{160}{\text{ALL OVER}}$ ALL OVER.
 - NO CHATTER OR NON-UNIFORM SURFACE FINISH ALLOWED.
 - PARTS TO BE FREE OF BURRS & SHARP EDGES 0.13(.005) MAX BREAK.
 - EXTERNAL THREADS TO BE ROLLED OR SINGLE POINT.
 - DIAMETERS TO BE CONCENTRIC WITHIN 0.08(.003) TIR.

CHG: NEW RELEASE FC NO: URF2005-0152 DRAWN: FLAHERTY 2004/10/28 CHKD: SHAH 2004/10/28 APPR: WILNER 2004/10/28	QUALITY SYMBOLS ▽=0 ▽=0	GENERAL TOLERANCES (UNLESS SPECIFIED)		DIMENSION STYLE MM/IN		SCALE	DESIGN UNITS METRIC	THIRD ANGLE PROJECTION			
		4 PLACES ± --- ± ---	3 PLACES ± --- ± ---	2 PLACES ± --- ± ---	1 PLACE ± --- ± ---	ANGULAR ± 2 °	DRAWN BY TEF	DATE 2004/10/27	CHECKED BY SSS	DATE 2004/10/27	APPROVED BY JDW
DRAFT WHERE APPLICABLE MUST REMAIN WITHIN DIMENSIONS		MATERIAL NO. 734155190		DOCUMENT NO. SD-73415-519		SHEET NO. 1 OF 1		Molex MOLEX INCORPORATED			
THIS DRAWING CONTAINS INFORMATION THAT IS PROPRIETARY TO MOLEX INCORPORATED AND SHOULD NOT BE USED WITHOUT WRITTEN PERMISSION											