



Chipsmall Limited consists of a professional team with an average of over 10 year of expertise in the distribution of electronic components. Based in Hongkong, we have already established firm and mutual-benefit business relationships with customers from,Europe,America and south Asia,supplying obsolete and hard-to-find components to meet their specific needs.

With the principle of “Quality Parts,Customers Priority,Honest Operation,and Considerate Service”,our business mainly focus on the distribution of electronic components. Line cards we deal with include Microchip,ALPS,ROHM,Xilinx,Pulse,ON,Everlight and Freescale. Main products comprise IC,Modules,Potentiometer,IC Socket,Relay,Connector.Our parts cover such applications as commercial,industrial, and automotives areas.

We are looking forward to setting up business relationship with you and hope to provide you with the best service and solution. Let us make a better world for our industry!



Contact us

Tel: +86-755-8981 8866 Fax: +86-755-8427 6832

Email & Skype: info@chipsmall.com Web: www.chipsmall.com

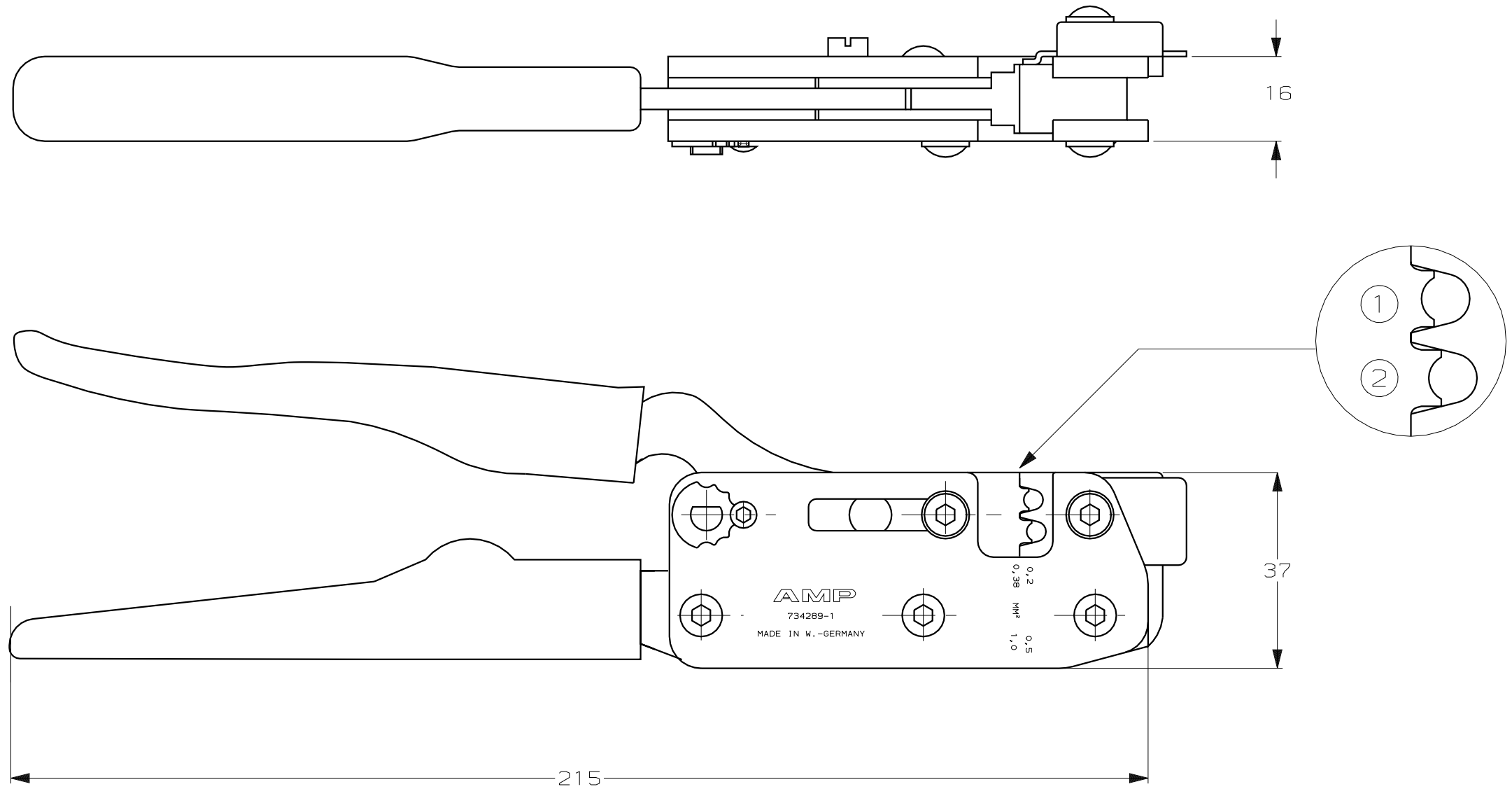
Address: A1208, Overseas Decoration Building, #122 Zhenhua RD., Futian, Shenzhen, China



DO NOT SCALE
DIMENSIONS IN mm

METRIC

THIRD ANGLE
PROJECTION



△ SEALING PN 828904

CONTACT		PR.	WIRE mm ²	INSUL ∅ mm	CH. WIRE ±0,05	CH. INSUL ±0,10
L.P.	STRIP					
962970	929966	1	0,2-0,38	1,2-2,0	1,12	3,70 △
962980	929973					
962991	929982					
962997	929988					
962971	929967	2	0,5-1,0	1,2-2,0	1,32	3,70 △
962981	929974					
962992	929983					
962998	929989					

		FINISH	STEEL	734289-1
			MATERIAL	PARTNUMBER
CUSTOMER DRAWING		AMP		
		AMP-HOLLAND B.V. 's-Hertogenbosch, The Netherlands.		
FOR REFERENCE ONLY WILL NOT BE UPDATED		THIS DRAWING IS UNPUBLISHED RELEASED FOR PUBLICATION, 19		
		© COPYRIGHT 19- BY AMP-HOLLAND B.V. ALL INTERNATIONAL RIGHTS RESERVED. AMP PRODUCTS MAY BE COVERED BY U.S. AND FOREIGN PATENTS AND/OR PATENTS PENDING.		
DR. P. BEIJNON	DATE 6-1-89	WIRE RANGE -	NAME -	REV. DATE D M Y
CHK. R.V05	DATE 6-1-89	INSUL. RANGE -	HANDTOOL FOR ∅1,5 - ∅2,5 CONT	231190
APP. L.V. SOEST	DATE -	SIZE A3	SHEET 1 OF 2	REV. LTR. D
		DWG. No.	734289	

8 7 6 5 4 3 2 1