



Chipsmall Limited consists of a professional team with an average of over 10 year of expertise in the distribution of electronic components. Based in Hongkong, we have already established firm and mutual-benefit business relationships with customers from,Europe,America and south Asia,supplying obsolete and hard-to-find components to meet their specific needs.

With the principle of “Quality Parts,Customers Priority,Honest Operation,and Considerate Service”,our business mainly focus on the distribution of electronic components. Line cards we deal with include Microchip,ALPS,ROHM,Xilinx,Pulse,ON,Everlight and Freescale. Main products comprise IC,Modules,Potentiometer,IC Socket,Relay,Connector.Our parts cover such applications as commercial,industrial, and automotives areas.

We are looking forward to setting up business relationship with you and hope to provide you with the best service and solution. Let us make a better world for our industry!



Contact us

Tel: +86-755-8981 8866 Fax: +86-755-8427 6832

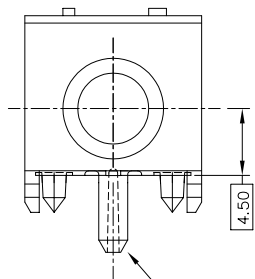
Email & Skype: info@chipsmall.com Web: www.chipsmall.com

Address: A1208, Overseas Decoration Building, #122 Zhenhua RD., Futian, Shenzhen, China

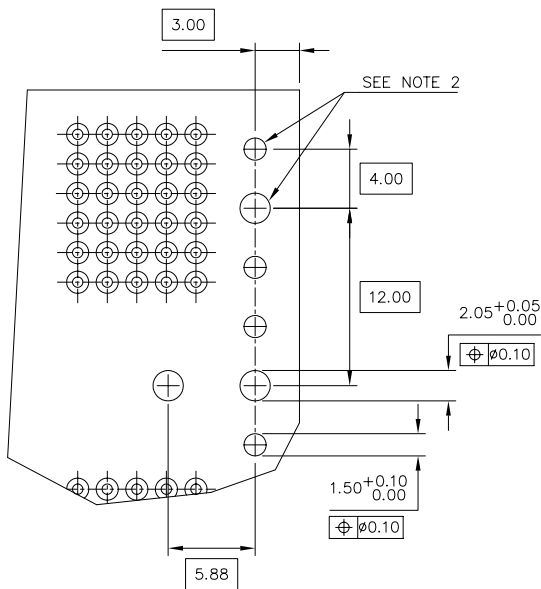
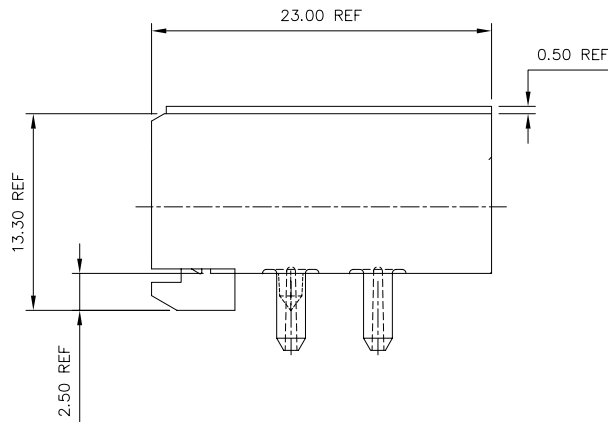


PRODUCT NO.	DESCRIPTION
73474-101	HEAT STAKE VERSION
73474-101LF	HEAT STAKE VERSION

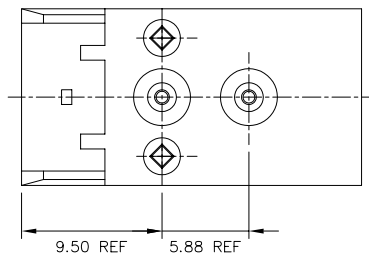
FRONT VIEW



HEAT-STAKE PEG VERSION



REQUIRED PC BOARD LAYOUT
COMPONENT SIDE



NOTES:

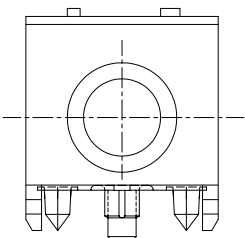
- HOUSING MATERIAL: LCP, 30% GLASS FILLED
FLAME RETARDANT PER UL 94V-0.
COLOR: NATURAL
- INDICATED HOLES ARE UNPLATED.
- SEE SHEET 2 FOR PRESS-PEG VERSION.
SEE SHEET 3 FOR SCREW-DOWN VERSION.
- THE PRODUCTS WHERE THE PART NUMBER ENDS IN "LF" MEET THE EUROPEAN UNION DIRECTIVES AND OTHER COUNTRY REGULATIONS AS DESCRIBED IN GS-22-008.
ALL PRODUCTS WILL WITHSTAND EXPOSURE TO 260°C FOR 60 SECONDS IN A CONVECTION, INFRA-RED OR VAPOR PHASE REFLOW OVEN.

mat'l. code		surface		tolerance		projection		product family		
SEE NOTES		ISO 1302 ✓		ISO 406 ISO 1101		mm		METRAL ACC		
ltr	ecn no	dr	date	tolerances unless otherwise specified		mm		title		
G	v11668	LSS	6/12/01	angles	linear	xx ±.01/3		RECEPTACLE GUIDE		
H	v12868	CGD	1/02/02			xxx ±.005/.13		MODULE, 5 ROW		
J	v05-0007	TAB	1/11/05	σ±2'			scale 1:1			
K	v05-0223	TAB	3/11/05	dr	M. FETROW	5/19/97		dwg no		
L	v05-0730	DAI	8/04/05	enr	c. PENDLETON	5/19/97		sheet 1 of 5		
M	m05-0231	MHT	10/28/05	chr	c. PENDLETON	5/19/97		size		
N	M06-0286	MNR	7/27/06	appd	c. PENDLETON	5/19/97		A3		
sheet	revision	N	N	N	N			type		
index	sheet	1	2	3	4	5			Product Customer Drawing	

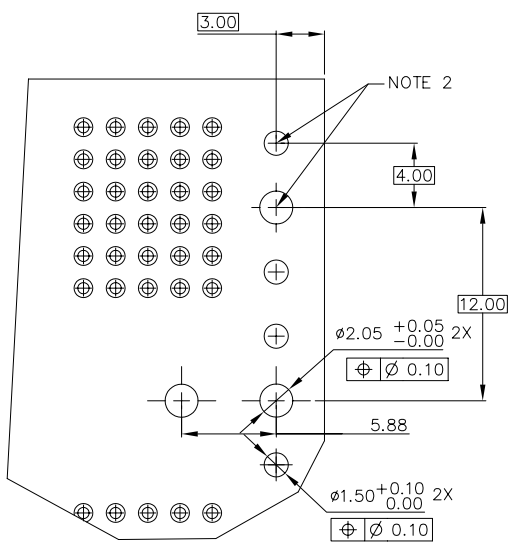
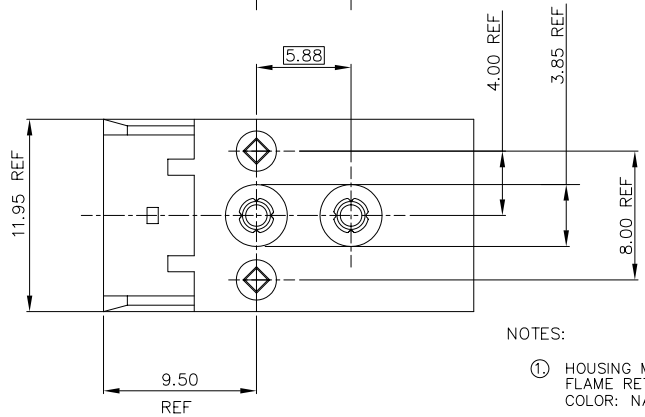
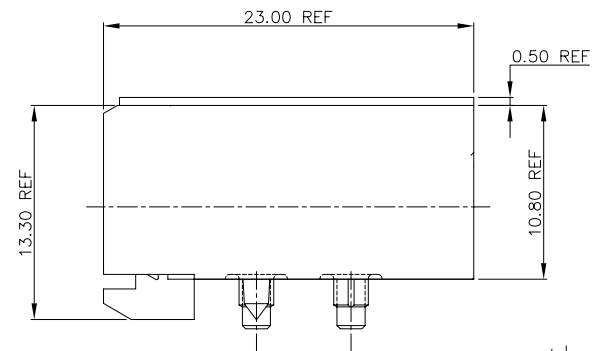
FCI
 FCIconnect.com
 Copyright FCI

PRODUCT NO.	DESCRIPTION
73474-201	PRESS-PEG VERSION
73474-201LF	PRESS-PEG VERSION

FRONT VIEW



PRESS PEG VERSION



NOTE 2

NOTES:

- ① HOUSING MATERIAL: LCP, 30% GLASS FILLED
FLAME RETARDANT PER UL 94V-0.
COLOR: NATURAL
- ② INDICATED HOLES ARE UNPLATED.
- 3. THIS SHEET SHOWS DIMENSIONS OF OPTIONAL PRESS-PEG ONLY.
FOR ALL OTHER DIMENSIONS AND REQUIREMENTS SEE SHEET 1.
FOR HEAT-STAKE VERSION SEE SHEET 1, FOR SCREW-DOWN
VERSION, SEE SHEET 3.

REQUIRED PC BOARD LAYOUT
COMPONENT SIDE

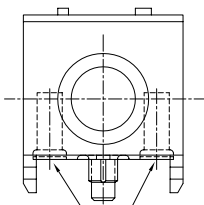
mat'l. code		surface		tolerance		projection		product family										
SEE NOTES		ISO 1302 ✓		ISO 406 ISO 1101				METRAL ACC										
ltr	ecn	no	dr	date		tolerances unless otherwise specified		title										
N						<table border="1"> <tr> <td>angles</td> <td>linear</td> <td>xx ±.01/.3</td> </tr> <tr> <td></td> <td></td> <td>xxx ±.005/.13</td> </tr> <tr> <td>0'±2'</td> <td></td> <td>xxxx ±.0020/.050</td> </tr> </table>		angles	linear	xx ±.01/.3			xxx ±.005/.13	0'±2'		xxxx ±.0020/.050	RECEPTACLE GUIDE MODULE, 5 ROW	
angles	linear	xx ±.01/.3																
		xxx ±.005/.13																
0'±2'		xxxx ±.0020/.050																
						scale 1:1		dwg no										
								sheet 2 of 5 size										
								73474 A3										
								type Product Customer Drawing										
sheet index		revision sheet																

FCJ
FCIconnect.com

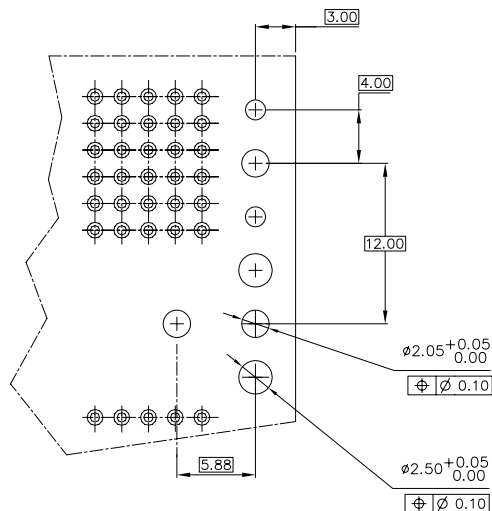
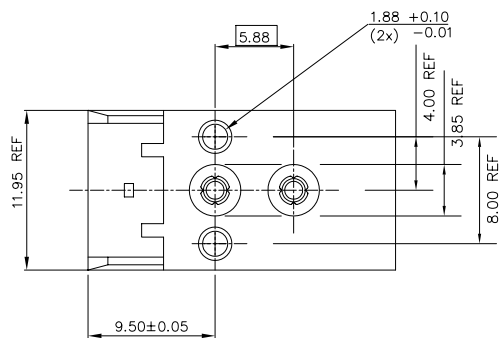
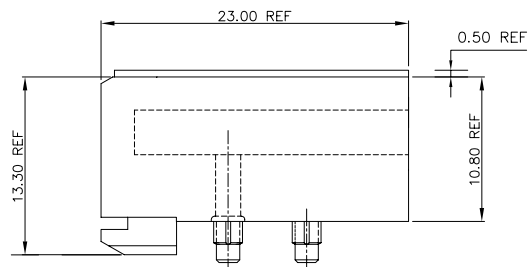
Copyright FCI

PRODUCT NO.	DESCRIPTION
73474-301	SCREW DOWN VERSION
73474-301LF	SCREW DOWN VERSION

FRONT VIEW



SCREW DOWN VERSION



REQUIRED P.C. BOARD LAYOUT COMPONENT SIDE

NOTES:

- HOUSING MATERIAL: LCP, 30% GLASS FILLED FLAME RETARDANT PER UL 94V-0. COLOR: NATURAL
- THIS SHEET SHOWS DIMENSIONS OF OPTIONAL SCREW-DOWN ONLY. FOR ALL OTHER DIMENSIONS AND REQUIREMENTS SEE SHEET 1. FOR HEAT-STAKE VERSION SEE SHEET 1, FOR PRESS-PEG, SEE SHEET 2.
- TWO MOUNTING SCREWS, P/N 63787-001, OR 63787-001LF FOR 73474-301LF, FOR MAX PCB THICKNESS 2.4mm [0.094"]. P/N 63787-002 OR 63787-002LF FOR 73474-301LF MAX PCB THICKNESS 3.2mm [0.126"]. MUST BE ORDERED SEPARATELY
- THE MATING CONNECTOR FOR THIS APPLICATION MUST USE A WALL-LESS HEADER HOUSING, P/N 63735-101, TO AVOID INTERFERENCE WITH MOUNTING SCREW HEADS.



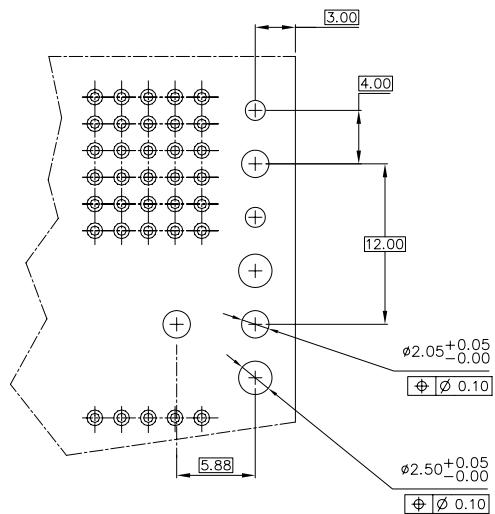
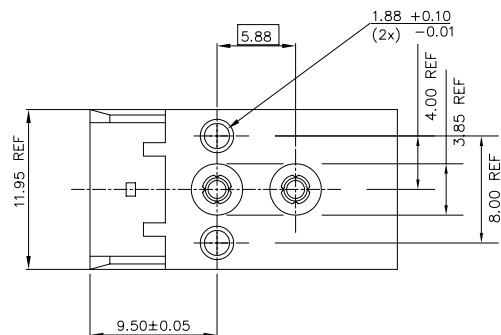
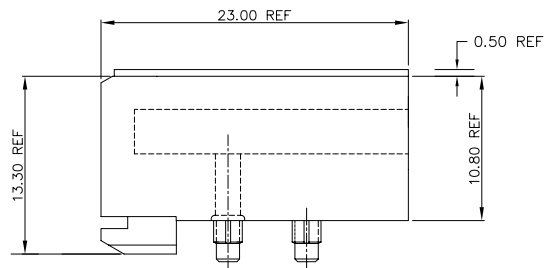
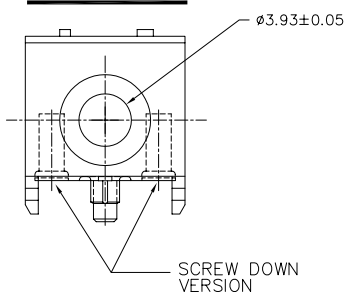
FCIconnect.com

Copyright FCI

mat'l. code SEE NOTES		surface ISO 1302 ✓	tolerance ISO 406 ISO 1101	projection 	product family METRAL ACC
ltr	ecn no/dr	date		tolerances unless otherwise specified	title RECEPTACLE GUIDE MODULE, 5 ROW
N		angles	linear	mm ←→	scale 1:1
		dr	M. FETROW	5/19/97	
		enr	C. PENDLETON	5/19/97	
		chr	C. PENDLETON	5/19/97	
		app	C. PENDLETON	5/19/97	
sheet index	revision sheet				dwg no 73474 sheet 3 of 5 size A3 type Product Customer Drawing

PRODUCT NO.	DESCRIPTION
73474-302	SCREW DOWN VERSION
73474-302LF	SCREW DOWN VERSION

FRONT VIEW



REQUIRED P.C. BOARD LAYOUT
COMPONENT SIDE

NOTES:

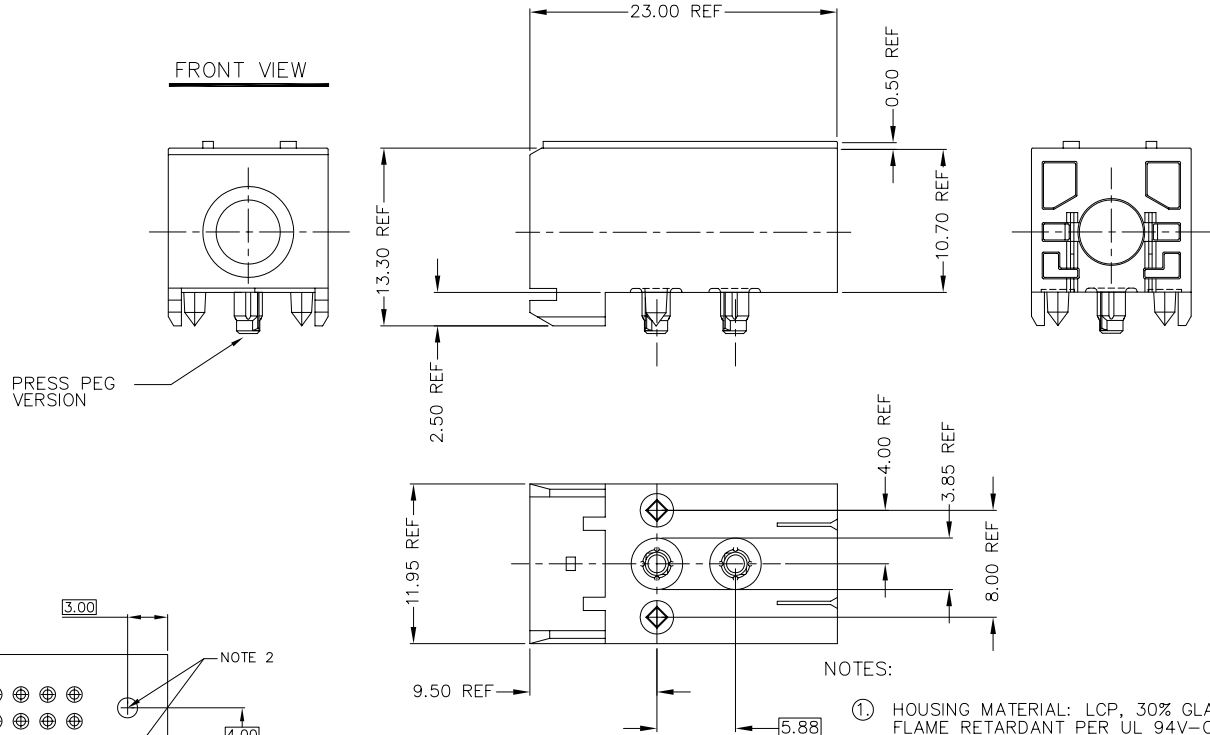
- HOUSING MATERIAL: LCP, 30% GLASS FILLED
FLAME RETARDANT PER UL 94V-0.
COLOR: NATURAL
- THIS SHEET SHOWS DIMENSIONS OF OPTIONAL SCREW-DOWN ONLY.
FOR ALL OTHER DIMENSIONS AND REQUIREMENTS SEE SHEET 1.
FOR HEAT-STAKE VERSION SEE SHEET 1, FOR PRESS-PEG,
SEE SHEET 2.
- TWO MOUNTING SCREWS, P/N 63787-001, OR 63787-001LF FOR
73474-301LF, FOR MAX PCB THICKNESS 2.4mm [0.094"].
P/N 63787-002 OR 63787-002LF FOR 73474-301LF MAX
PCB THICKNESS 3.2mm [0.126"].
MUST BE ORDERED SEPARATELY
- THE MATING CONNECTOR FOR THIS APPLICATION MUST USE A
WALL-LESS HEADER HOUSING, P/N 63735-101, TO AVOID
INTERFERENCE WITH MOUNTING SCREW HEADS.

FCI
FCIconnect.com

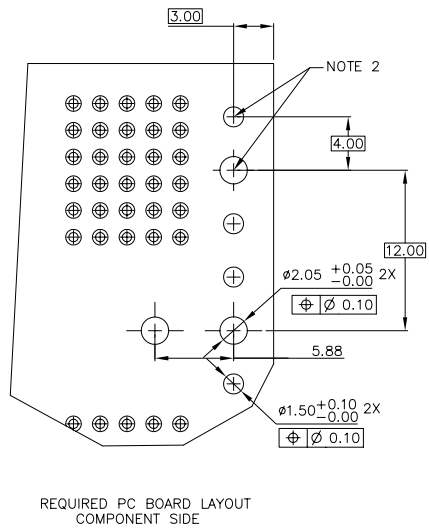
Copyright FCI

mat'l. code		surface		tolerance		projection		product family	
SEE NOTES		ISO 1302 ✓		ISO 406 ISO 1101		mm		METRAL ACC	
ltr	ecn	no	dr	date	tolerances unless otherwise specified				
N					angles	linear	xx ±.01/.3	title	
					0°±2'	xxxx ±.005/.13	mm	RECEPTACLE GUIDE	
					dr	M. FETROW	5/19/97	MODULE, 5 ROW	
					enr	C. PENDLETON	5/19/97	scale 1:1	
					chr	C. PENDLETON	5/19/97	FCI	
					app	C. PENDLETON	5/19/97	sheet 4 of 5 size	
sheet		revision		type Product Customer Drawing					
index		sheet		73474 A3					

PRODUCT NUMBER	DESCRIPTION
73474-401M	PRESS PEG VERSION
73474-401	PRESS PEG VERSION
73474-401LF	PRESS PEG VERSION



- NOTES:
- HOUSING MATERIAL: LCP, 30% GLASS FILLED
FLAME RETARDANT PER UL 94V-0.
COLOR: NATURAL
 - INDICATED HOLES ARE UNPLATED.
 - THIS SHEET SHOWS DIMENSIONS OF OPTIONAL PRESS-PEG ONLY.
FOR ALL OTHER DIMENSIONS AND REQUIREMENTS SEE SHEET 1.
FOR HEAT-STAKE VERSION SEE SHEET 1, FOR SCREW-DOWN
VERSION, SEE SHEET 3.



mat'l. code SEE NOTES		surface ISO 1302 ✓	tolerance ISO 406 ISO 1101	projection mm	product family METRAL ACC
ltr	ecn no	dr	date	tolerances unless otherwise specified	title RECEPTACLE GUIDE MODULE, 5 ROW
N				angles linear xx ±.01/.3 xxx ±.005/.13 σ±2° xxxx ±.0020/.050	scale 1:1
		dr	M. FETROW	5/19/97	dwg no 73474
		enr	C. PENDLETON	5/19/97	sheet 5 of 5 size A3
		chr	C. PENDLETON	5/19/97	type Product Customer Drawing
		app	C. PENDLETON	5/19/97	
sheet index	revision sheet				

FCI
FCIconnect.com

Copyright FCI