



Chipsmall Limited consists of a professional team with an average of over 10 year of expertise in the distribution of electronic components. Based in Hongkong, we have already established firm and mutual-benefit business relationships with customers from,Europe,America and south Asia,supplying obsolete and hard-to-find components to meet their specific needs.

With the principle of “Quality Parts,Customers Priority,Honest Operation,and Considerate Service”,our business mainly focus on the distribution of electronic components. Line cards we deal with include Microchip,ALPS,ROHM,Xilinx,Pulse,ON,Everlight and Freescale. Main products comprise IC,Modules,Potentiometer,IC Socket,Relay,Connector.Our parts cover such applications as commercial,industrial, and automotives areas.

We are looking forward to setting up business relationship with you and hope to provide you with the best service and solution. Let us make a better world for our industry!



Contact us

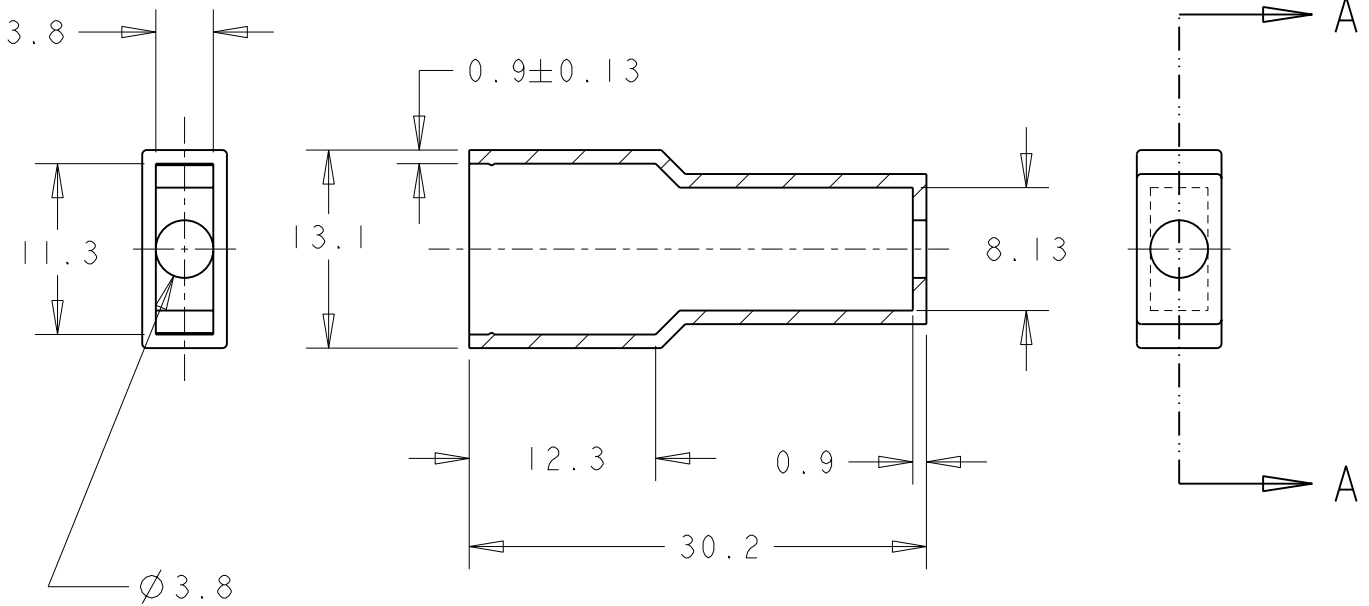
Tel: +86-755-8981 8866 Fax: +86-755-8427 6832

Email & Skype: info@chipsmall.com Web: www.chipsmall.com

Address: A1208, Overseas Decoration Building, #122 Zhenhua RD., Futian, Shenzhen, China



LOC		DIST		REVISIONS			
P	LTR	DESCRIPTION		DATE	DWN	APVD	
		A1		REDRAWN WITHOUT CHANGE	15NOV2007	J.L	J.S
		A2		DIM. 8.13 CORRECTED	09DEC2010	PKS	MP



SECTION A - A

POLIETILENO

VER NOTA	I NATURAL	735014-0
MATERIAL	COLOR	REFERENCIA

DIMENSIONS: mm	DWN J.Lazaro	15NOV2007	MATERIAL	POLIETILENO	FINISH	Natural
	CHK J.Salo	15NOV2007	Tyco Electronics AMP Española S.A Barcelona / España			
TOLERANCES UNLESS OTHERWISE SPECIFIED:	APVD L.Batillo	15NOV2007	NAME INSULATION SLEEVE FOR 9.5 MM FASTON RECEPTACLE			
	PRODUCT SPEC	-	SIZE	CAGE CODE	DRAWING NO	RESTRICTED TO
0 PLC ±General	APPLICATION SPEC	-	A4	00779	©-735014	-
1 PLC ±Tolerance	WEIGHT	-	CUSTOMER DRAWING			SCALE 2:1
2 PLC ± ±0.4						SHEET 1 OF 1
3 PLC ±						REV A2
4 PLC ±						
ANGLES ±						