



Chipsmall Limited consists of a professional team with an average of over 10 year of expertise in the distribution of electronic components. Based in Hongkong, we have already established firm and mutual-benefit business relationships with customers from,Europe,America and south Asia,supplying obsolete and hard-to-find components to meet their specific needs.

With the principle of “Quality Parts,Customers Priority,Honest Operation,and Considerate Service”,our business mainly focus on the distribution of electronic components. Line cards we deal with include Microchip,ALPS,ROHM,Xilinx,Pulse,ON,Everlight and Freescale. Main products comprise IC,Modules,Potentiometer,IC Socket,Relay,Connector.Our parts cover such applications as commercial,industrial, and automotives areas.

We are looking forward to setting up business relationship with you and hope to provide you with the best service and solution. Let us make a better world for our industry!



Contact us

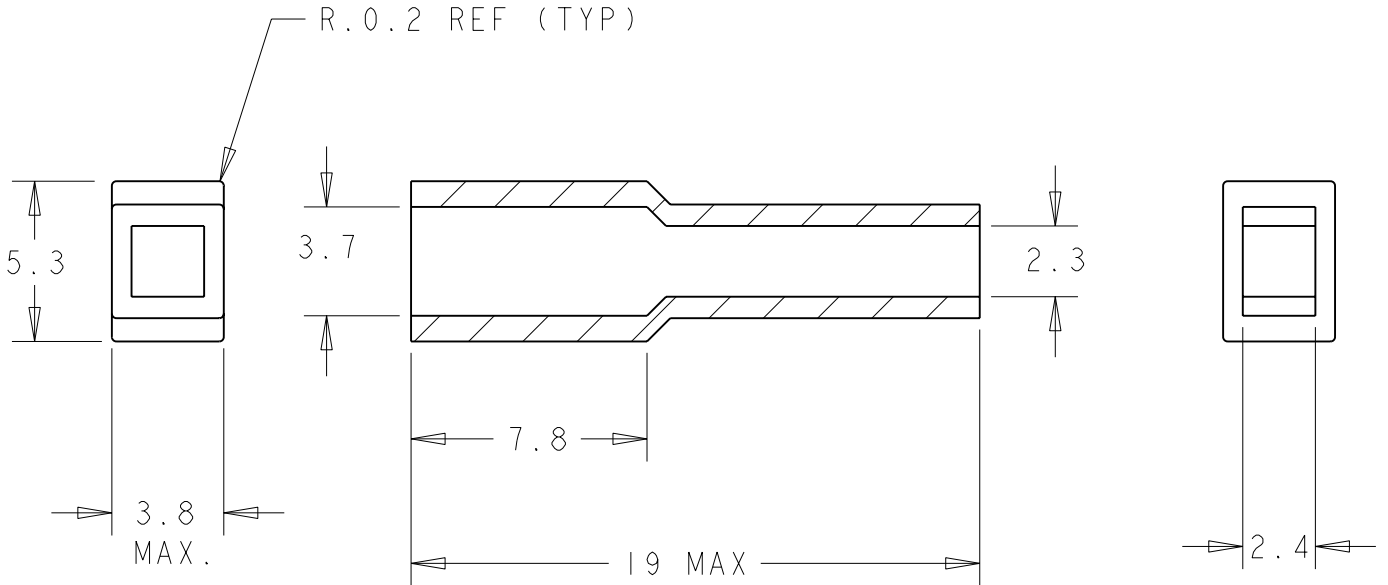
Tel: +86-755-8981 8866 Fax: +86-755-8427 6832

Email & Skype: info@chipsmall.com Web: www.chipsmall.com

Address: A1208, Overseas Decoration Building, #122 Zhenhua RD., Futian, Shenzhen, China



LOC	DIST	REVISIONS				
P	LTR	DESCRIPTION	DATE	DWN	APVD	
AL	2					
	L1	REDRAWN WITHOUT CHANGE	09NOV2007	J.L	J.S	
	L2	REVISED PER ECO-09-025714	17DEC09	KK	AEG	

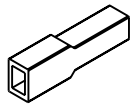


SECTION A - A

NOTES: -

1 OBSOLETE PARTS: OBSOLETE CIS STREAMLINING
PER D.RENAUD/D.SINISI

ALTURA DE ENGASTE
AISLANTE 2.5MM MAX.



SCALE 1:1

OBSOLETE 1	NARANJA	735052-9
	VIOLETA	735052-8
	GRIS	735052-7
	MARRON	735052-6
	NEGRO	735052-5
	AMARILLO	735052-4
OBSOLETE	AZUL	735052-3
	VERDE	735052-2
	ROJO	735052-1
	NATURAL	735052-0
	COLOR	REFERENCIA

20
RELEASED FOR PUBLICATION

BY TYCO ELECTRONICS CORPORATION. ALL RIGHTS RESERVED.

THIS DRAWING IS UNPUBLISHED.

© COPYRIGHT 20

DIMENSIONS: mm	DWN J.Lazaro 09NOV2007	MATERIAL POLIETILENO	FINISH -
TOLERANCES UNLESS OTHERWISE SPECIFIED:	CHK J.Salo 09NOV2007	Tyco Electronics AMP ESPAÑOLA S.A. Barcelona / España	
0 PLC ±GENERAL	APVD L.Batillo 09NOV2007	NAME PROTECTOR FASTON MINIATURA	
1 PLC ±TOLERANCE	PRODUCT SPEC -	SIZE A4	CAGE CODE 00779
2 PLC ±± 0.2	APPLICATION SPEC -	DRAWING NO C-735052	RESTRICTED TO -
3 PLC ±	WEIGHT -	SCALE 4:1	
4 PLC ±		SHEET 1 OF 1	
ANGLES ±		REV L2	
CUSTOMER DRAWING			