



Chipsmall Limited consists of a professional team with an average of over 10 year of expertise in the distribution of electronic components. Based in Hongkong, we have already established firm and mutual-benefit business relationships with customers from,Europe,America and south Asia,supplying obsolete and hard-to-find components to meet their specific needs.

With the principle of “Quality Parts,Customers Priority,Honest Operation,and Considerate Service”,our business mainly focus on the distribution of electronic components. Line cards we deal with include Microchip,ALPS,ROHM,Xilinx,Pulse,ON,Everlight and Freescale. Main products comprise IC,Modules,Potentiometer,IC Socket,Relay,Connector.Our parts cover such applications as commercial,industrial, and automotives areas.

We are looking forward to setting up business relationship with you and hope to provide you with the best service and solution. Let us make a better world for our industry!



Contact us

Tel: +86-755-8981 8866 Fax: +86-755-8427 6832

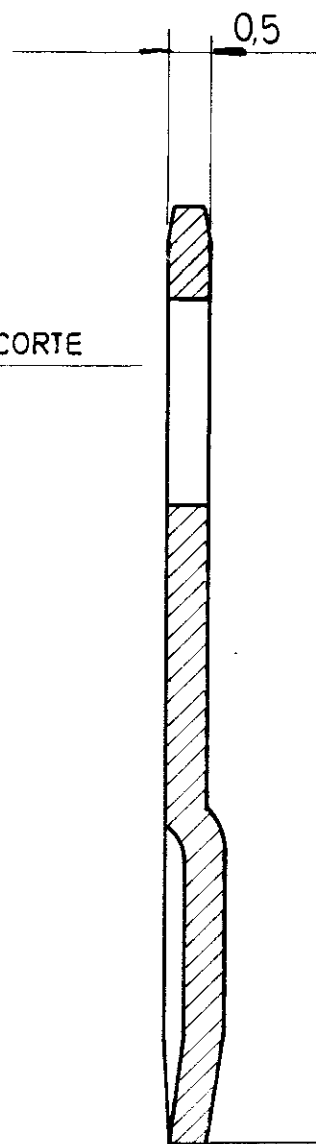
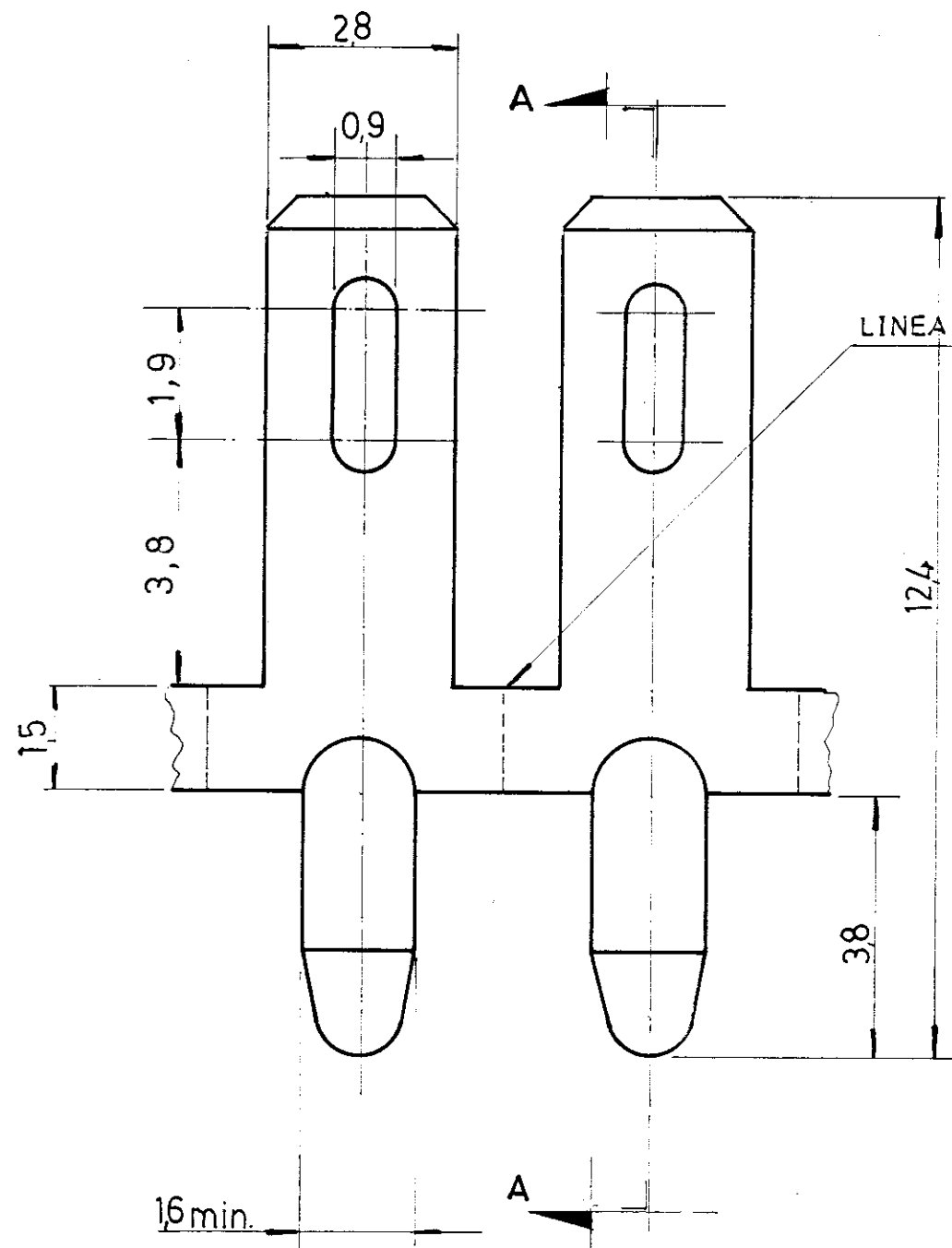
Email & Skype: info@chipsmall.com Web: www.chipsmall.com

Address: A1208, Overseas Decoration Building, #122 Zhenhua RD., Futian, Shenzhen, China

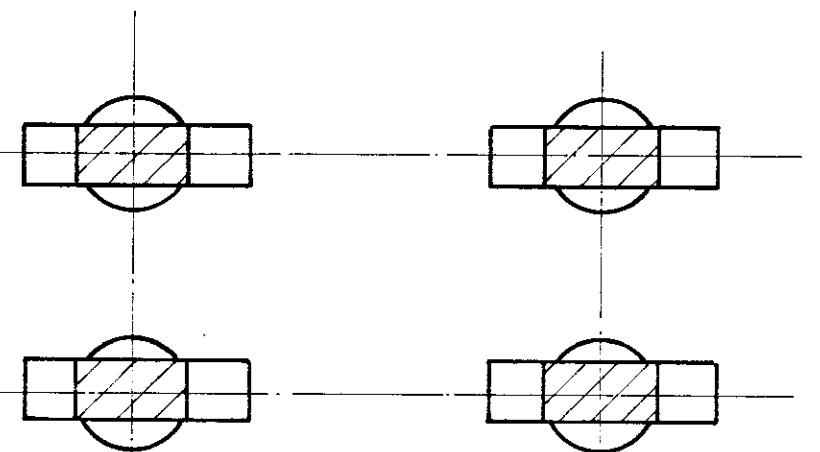


SECCION A A

REVISIONS				
P	LTR	DESCRIPTION	DATE	DWN APVD
	S1	REV PER ECO-09-026444	NOV09	KK AEG



2,28(min) en una sola direccion
4,83(min) en ambas direcciones



483(min) en una sola direccion
5,84(min) en ambas direcciones

DISTANCIAS MINIMAS ENTRE CENTROS

NOTE:

1 OBSOLETE PARTS: OBSOLETE CIS STREAMLINING
PER D.RENAUD/D.SINISI

1 OBSOLETE

PIEZA SUELTA	N.º ORDEN	MATERIAL	ACABADO
735187-3	735084-3	LATON	PLATEADO
735187-2	735084-2	LATON	ESTAÑO SOBRE NIQUEL
735187-1	735084-1	LATON	//

APLICACION



ESCALA NATURAL

PARA FIJAR EN AGUJERO DE: $1,40 \pm 0,05$ EN C. IMPRESO FENOLICO

$1,50 \pm 0,05$ EN C. IMPRESO EPOXYLICO

TOLERANCIA GENERAL $\pm 0,2$

PLANO DE CLIENTE SOLO PARA REFERENCIA

DIB. J.LAZARO	FECHA 4-12-72	© 1972 POR AMP - ESPAÑOLA S. A. TODOS LOS DERECHOS RESERVADOS LOS PRODUCTOS AMP ESTAN CUBIERTOS POR PATENTES ACTUALES O PENDIENTES		<p>AMP - ESPAÑOLA S. A. BARCELONA ESPAÑA</p>	
CONF. A. Foriscot	FECHA 4-12-72	GAMA HILO	GAMA AISLANTE		PRIMER USO
DE	FECHA 4/5/73	ESCALA 10:1	LOC AL	B	N.º 735084
REV. COMPR.	FECHA	NOMBRE LENGÜETA FASTON .110 PARA C.C.I.			REV S1

NÚMERO 735084

DIMENSIONES EN M. M.
PRINT AL 2