



Chipsmall Limited consists of a professional team with an average of over 10 year of expertise in the distribution of electronic components. Based in Hongkong, we have already established firm and mutual-benefit business relationships with customers from,Europe,America and south Asia,supplying obsolete and hard-to-find components to meet their specific needs.

With the principle of “Quality Parts,Customers Priority,Honest Operation,and Considerate Service”,our business mainly focus on the distribution of electronic components. Line cards we deal with include Microchip,ALPS,ROHM,Xilinx,Pulse,ON,Everlight and Freescale. Main products comprise IC,Modules,Potentiometer,IC Socket,Relay,Connector.Our parts cover such applications as commercial,industrial, and automotives areas.

We are looking forward to setting up business relationship with you and hope to provide you with the best service and solution. Let us make a better world for our industry!



Contact us

Tel: +86-755-8981 8866 Fax: +86-755-8427 6832

Email & Skype: info@chipsmall.com Web: www.chipsmall.com

Address: A1208, Overseas Decoration Building, #122 Zhenhua RD., Futian, Shenzhen, China

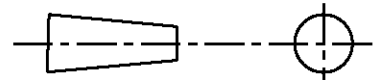


4

3

2

1

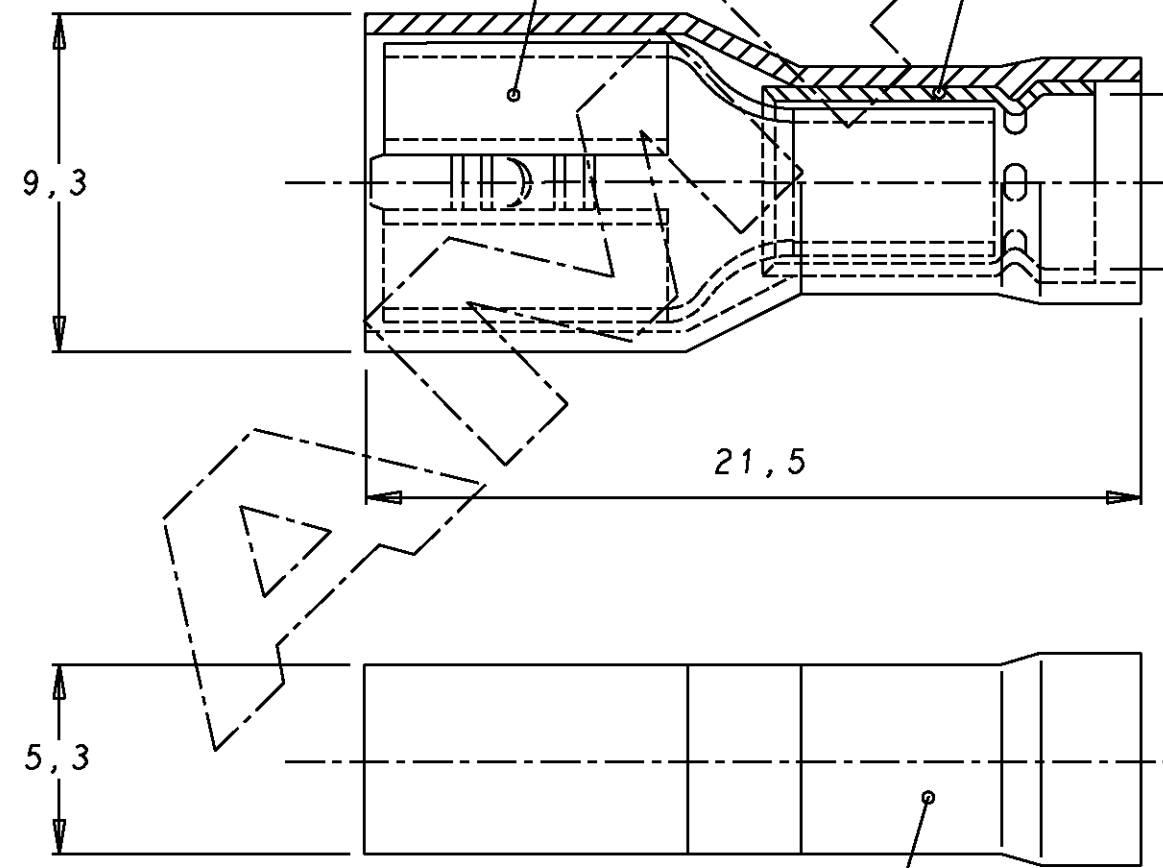
C	SIN ESCALA	METRICO	 ANGULO DE PROYECCION
	DIMENSIONES EN mm.		

RECEPTACLE BODY (See table)

CUERPO RECEPTACULO (Ver tabla)

METALLIC SLEEVE
COPPER

MANGUITO DE COBRE




4,0 DIA. MAX. INSULATION
AISLANTE

PLASTIC SLEEVE
POLYAMIDE 6.6 BLUE COLOUR

PROTECCION AISLANTE
POLIAMIDA 6.6 COLOR AZUL

CERTI-LOK: 169400-0 (HTA) + 169404-0 (MATRICES)	BRONCE-ESTANADO	735160-1
	LATON-ESTANADO	735160-0
HERRAMIENTA MANUAL	MATERIAL RECEPTACULO	N. ORDEN

PLANO DE CLIENTE
SOLO PARA REFERENCIA

TOLERANCIAS GENERALES		GAMA DE HILO	GAMA DE AISLANTE	ESCALA
DEC ± 0.5		2,5-3,0 MM2	4,0 MM DIA.	5/1
ANGULO ± 1°		 TE Connectivity		
DIBUJADO J. PASCUAL 1-4-92				
CONF. L. BATLLO 1-4-92		NOMBRE		
APR. L. BATLLO 1-4-92		RECEPTACULO FASTON 6,35 MM AISLADO (AZUL)		
LETRA REVISIONES		FULLY INSULATED FASTON RECEPTACLE 6,35 MM (BLUE)		
L1	REVISED PER ECO-11-005294	RK	07APR11	CONF.
LETRA	REVISIONES	DIBUJ.	FECHA	APR.
		A3		PLANO N°
		735160		HOJA 1 de 1

LOC
AL
DIST
2