



Chipsmall Limited consists of a professional team with an average of over 10 year of expertise in the distribution of electronic components. Based in Hongkong, we have already established firm and mutual-benefit business relationships with customers from,Europe,America and south Asia,supplying obsolete and hard-to-find components to meet their specific needs.

With the principle of "Quality Parts,Customers Priority,Honest Operation,and Considerate Service",our business mainly focus on the distribution of electronic components. Line cards we deal with include Microchip,ALPS,ROHM,Xilinx,Pulse,ON,Everlight and Freescale. Main products comprise IC,Modules,Potentiometer,IC Socket,Relay,Connector.Our parts cover such applications as commercial,industrial, and automotives areas.

We are looking forward to setting up business relationship with you and hope to provide you with the best service and solution. Let us make a better world for our industry!



## Contact us

Tel: +86-755-8981 8866 Fax: +86-755-8427 6832

Email & Skype: info@chipsmall.com Web: www.chipsmall.com

Address: A1208, Overseas Decoration Building, #122 Zhenhua RD., Futian, Shenzhen, China

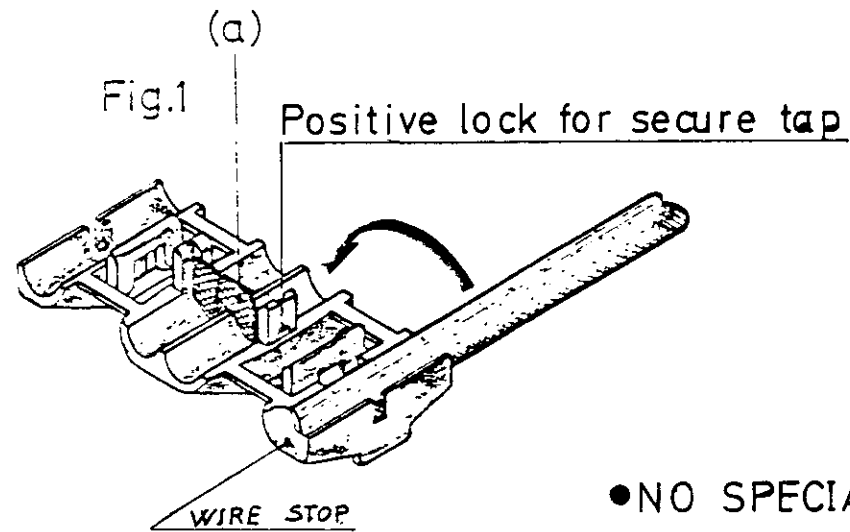


1<sup>st</sup> STEP

LAY THE CONDUCTOR IN THE HOUSING AS SHOWN

2<sup>nd</sup> STEP

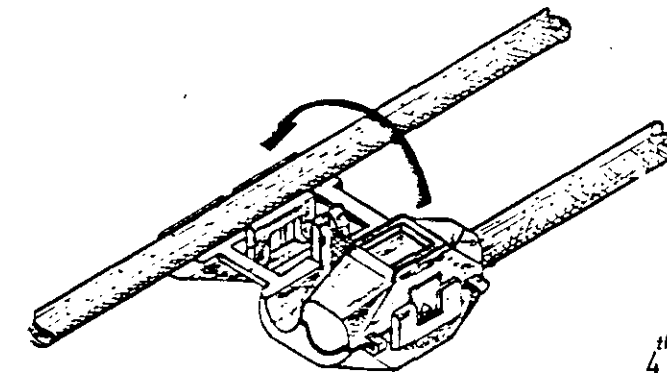
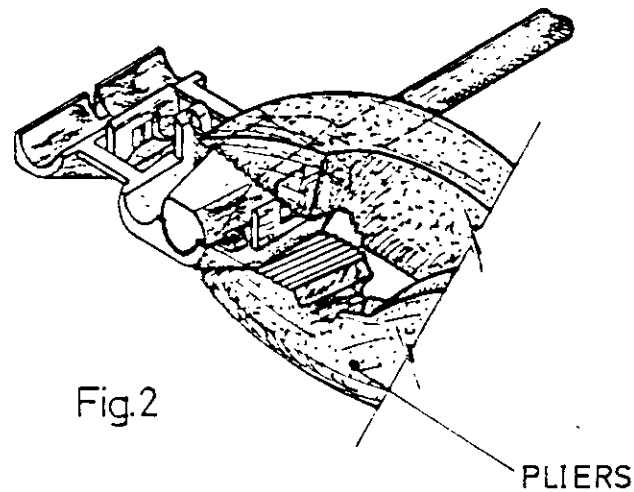
FOLD UP THE HOUSING ACCORDING THE ARROW TILL LEAN THE CONDUCTOR AGAINST THE CONTACT



- NO SPECIAL TOOLS
- NO WIRE STRIPPING
- FOR SOLID OR STRANDED WIRE OF SECTION 1 TO 2,5 mm<sup>2</sup>
- EASY ASSEMBLY

3<sup>th</sup> STEP

SQUEEZE WITH TOOLING (PLIERS FIG. 2) TILL POSITIVE LOCK IS LATCHED

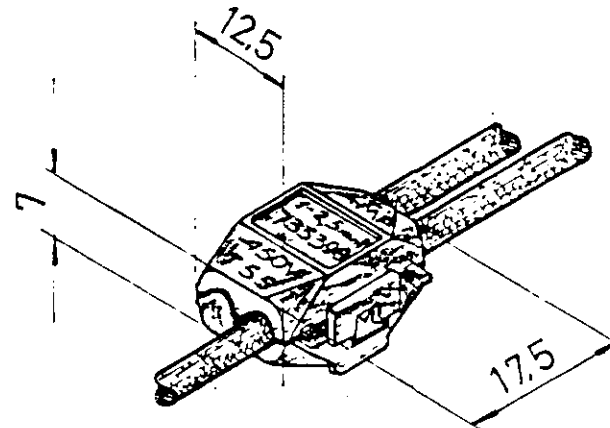


4<sup>th</sup> STEP

FOLD UP ACCORDING THE ARROW (FIG. 3) TILL LEAN THE CONTACT AGAINST THE CONDUCTOR

5<sup>th</sup> STEP

SQUEEZE TILL LATCH THE POSITIVE LOCK  
FINISHED ASSEMBLY



DIMENSIONES EN M. M.

PRINT DIST. AL 2

735398		LATON NYLON	COLOR BLUE	TIN PLATED MOULDED						
PN.	MATERIAL	ACABADO								
PLANO DE CLIENTE SOLO PARA REFERENCIA										
NUMERO PN-735 398	DIS. <i>Dominquez</i>	FECHA <i>8-9-82</i>	© 19 POR AMP - ESPAÑOLA S. A. TODOS LOS DERECHOS RESERVADOS LOS PRODUCTOS AMP ESTAN CUBIERTOS POR PATENTES ACTUALES O PENDIENTES							
	COM. <i>[Signature]</i>	FECHA <i>7-9-82</i>	<table border="1"> <tr> <td>SAMA HLD 1mm<sup>2</sup> a 2,5mm<sup>2</sup></td> <td>SAMA AISLANTE 4 mm Max.</td> <td>PRIMER USO General.</td> </tr> <tr> <td>ESCALA <i>[Signature]</i></td> <td>LOC AL B</td> <td>M.° PN-735 398</td> </tr> </table>		SAMA HLD 1mm <sup>2</sup> a 2,5mm <sup>2</sup>	SAMA AISLANTE 4 mm Max.	PRIMER USO General.	ESCALA <i>[Signature]</i>	LOC AL B	M.° PN-735 398
	SAMA HLD 1mm <sup>2</sup> a 2,5mm <sup>2</sup>	SAMA AISLANTE 4 mm Max.			PRIMER USO General.					
	ESCALA <i>[Signature]</i>	LOC AL B	M.° PN-735 398							
DE. <i>[Signature]</i>	FECHA <i>10-5-93</i>	REV B								
APR.	FECHA	NOMBRE ELECTRO TAP CONNECTOR								