



Chipsmall Limited consists of a professional team with an average of over 10 year of expertise in the distribution of electronic components. Based in Hongkong, we have already established firm and mutual-benefit business relationships with customers from,Europe,America and south Asia,supplying obsolete and hard-to-find components to meet their specific needs.

With the principle of “Quality Parts,Customers Priority,Honest Operation,and Considerate Service”,our business mainly focus on the distribution of electronic components. Line cards we deal with include Microchip,ALPS,ROHM,Xilinx,Pulse,ON,Everlight and Freescale. Main products comprise IC,Modules,Potentiometer,IC Socket,Relay,Connector.Our parts cover such applications as commercial,industrial, and automotives areas.

We are looking forward to setting up business relationship with you and hope to provide you with the best service and solution. Let us make a better world for our industry!



Contact us

Tel: +86-755-8981 8866 Fax: +86-755-8427 6832

Email & Skype: info@chipsmall.com Web: www.chipsmall.com

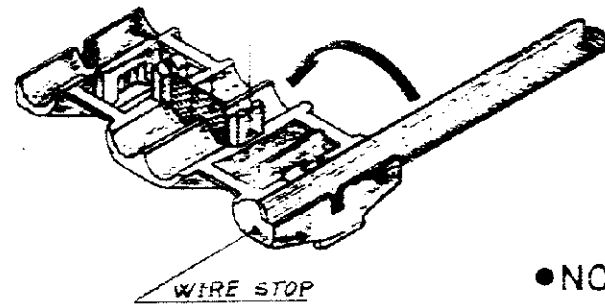
Address: A1208, Overseas Decoration Building, #122 Zhenhua RD., Futian, Shenzhen, China



DIBUJADO EN PROYECCIONES AMERICANAS EUROPEAS

REVISIONS						
P	F	ZONE	LTR	DESCRIPTION	DATE	APPROVED
			A1	REVISED PER ECO-11-005294	13APR11	HMR

Fig.1 Positive lock for secure tap



1st STEP

LAY THE CONDUCTOR IN THE HOUSING AS SHOWN

2nd STEP

FOLD UP THE HOUSING ACCORDING THE ARROW TILL LEAN THE CONDUCTOR AGAINST THE CONTACT

- NO SPECIAL TOOLS
- NO WIRE STRIPPING
- FOR SOLID OR STRANDED WIRE OF SECTION 4 TO 6 mm
- EASY ASSEMBLY

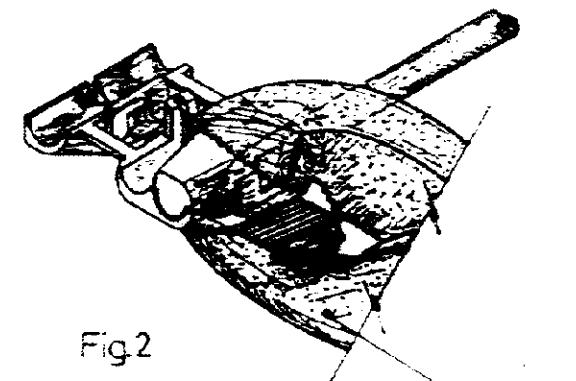


Fig.2

PLIERS

3rd STEP

SQUEEZE WITH TOOLING (PLIERS FIG 2) TILL POSITIVE LOCK IS LATCHED

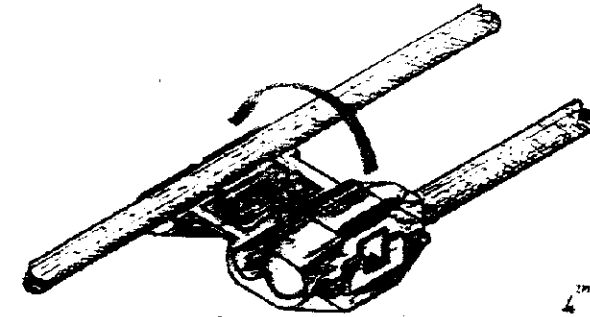
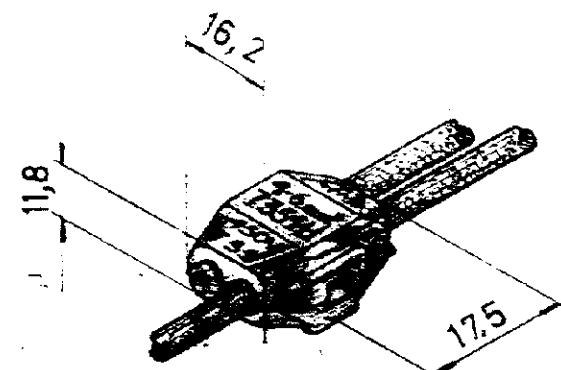


Fig.3

4th STEP

FOLD UP ACCORDING THE ARROW (FIG.3) TILL LEAN THE CONTACT AGAINST THE CONDUCTOR



5th STEP

SQUEEZE TILL LATCH THE POSITIVE LOCK
FINISHED ASSEMBLY

735411	LATON NYLON	ESLOR VERDOR	TIN PLATED
P.N.	MATERIAL		ACABADO

PLANO DE CLIENTE SOLO PARA REFERENCIA

FECHA	FECHA	FECHA	FECHA	FECHA
Dominique	3.9.92			
COM				
FECHA	FECHA	FECHA	FECHA	FECHA
APR	FECHA	NOMBRE	ELECTRO TAP CONNECTOR	

PN-735411

TE Connectivity

PN-735411

A1

DIMENSIONES EN M.M.

14
10

8 7 6 5 4 3 2 1