



Chipsmall Limited consists of a professional team with an average of over 10 year of expertise in the distribution of electronic components. Based in Hongkong, we have already established firm and mutual-benefit business relationships with customers from,Europe,America and south Asia,supplying obsolete and hard-to-find components to meet their specific needs.

With the principle of “Quality Parts,Customers Priority,Honest Operation,and Considerate Service”,our business mainly focus on the distribution of electronic components. Line cards we deal with include Microchip,ALPS,ROHM,Xilinx,Pulse,ON,Everlight and Freescale. Main products comprise IC,Modules,Potentiometer,IC Socket,Relay,Connector.Our parts cover such applications as commercial,industrial, and automotives areas.

We are looking forward to setting up business relationship with you and hope to provide you with the best service and solution. Let us make a better world for our industry!



Contact us

Tel: +86-755-8981 8866 Fax: +86-755-8427 6832

Email & Skype: info@chipsmall.com Web: www.chipsmall.com

Address: A1208, Overseas Decoration Building, #122 Zhenhua RD., Futian, Shenzhen, China

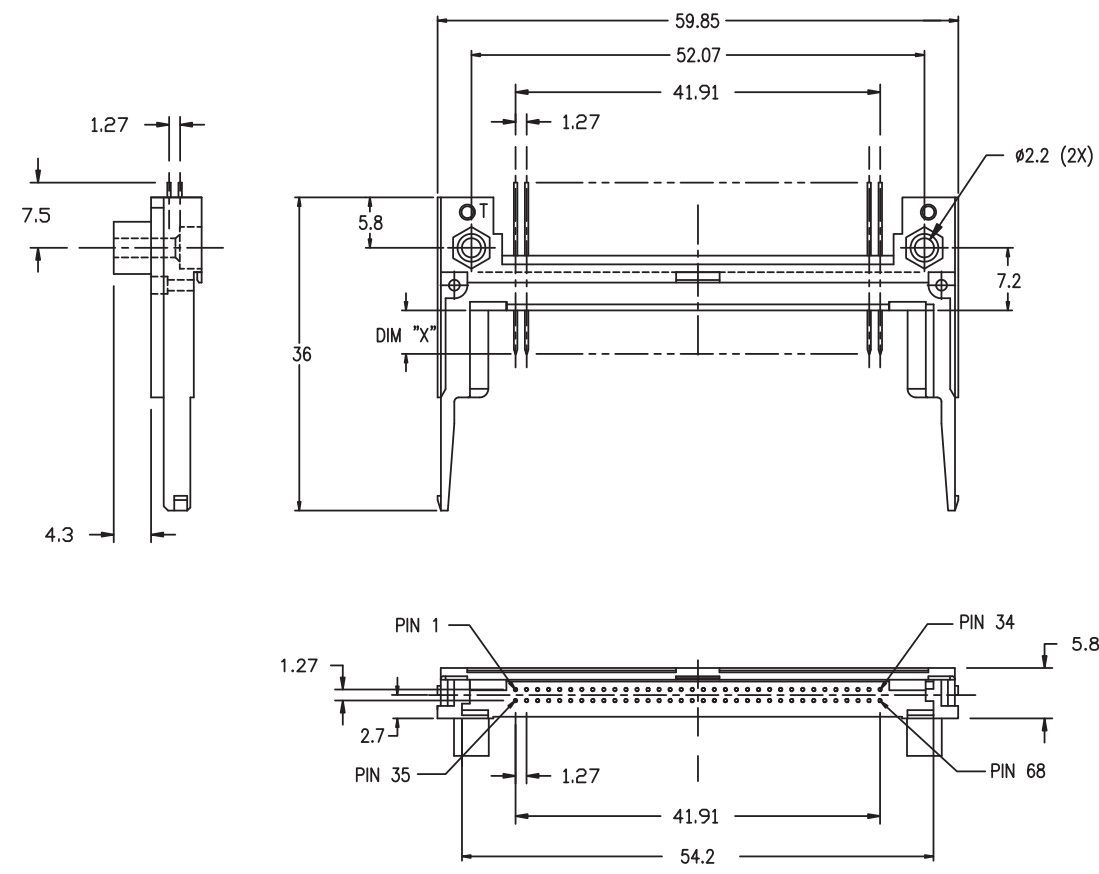


Tous droits strictement reserves. Reproduction ou communication a des tiers interdite sous quelque forme que ce soit sans autorisation ecrite du proprietaire. Propriete de ©BERG ELECTRONICS. Droits de reproduction BERG ELECTRONICS INC.

All rights strictly reserved. Reproduction or issue to third parties in any form whatever is not permitted without written authority from the proprietor. Property of ©BERG ELECTRONICS Copyright BERG ELECTRONICS INC.



PRODUCT NO.	DIM "X"		
	4.25±0.1	3.5±0.1	5.0±0.1
73590-001	OTHERS	36,67	1,17,34,35,51,68
73590-001LF	OTHERS	36,67	1,17,34,35,51,68



NOTES

- ① MATERIAL
HOUSING : LCP UL94V-0 BLACK.
PIN : PHOSPHOR BRONZE.
- ② FINISH - PIN
UNDER PLATING : 0.5um Ni.
CONTACT AREA : 0.1um GOLD OVER
 0.5um Pd-Ni
SOLDER TAIL : 2.5um Sn-Pb.
 2.5um PURE Sn (FOR -001LF)
- 3 RECOMMENDED SCREW TORQUE 1.0 TO 1.5 MAX in-lbs. (1.2-1.7 cm-kgs).
RECOMMENDED HOLD-DOWN: 2mm SCREWS (95121) AND HEX NUTS (92869-001).
- 4 IF LEAD FREE P.N.THE HOUSING WILL WITHSTAND EXPOSURE TO 260°C PEAK TEMPERATURE FOR 10 SECONDS IN A WAVE SOLDER APPLICATION WITH A 1.00MM MINIMUM THICK CIRCUIT BOARD.
- 5 IF LEAD FREE P/N.THE PRODUCT MEETS EUROPEAN UNION DIRECTIVES AND OTHER COUNTRY REGULATIONS AS DESCRIBED IN GS-22-008
- 6 LEAD FREE P/N PACKAGING MEETS GS-14-920 SPECIFICATION

mat'l. code				tolerances unless otherwise specified		CUSTOMER COPY		 www.fciconnect.com			
ltr	ecn no	dr	date	linear	.X ±.3	projection		title			
A	V70945	RHG	7/22/97		.XX ±.13			68 POS. EJECT		-	
B	N05-0196	WB	07/05/05		.XXX ±.051			HEADER ASSY		-	
				angles	0° ±2°	mm		product family	PCMCIA		
				dr	R.GRAPE	7/22/97	size		dwg no		
				engr	D BRANN	7/22/97	scale		1:1		
				chr	D BRANN	7/22/97	A4		73590		
				appd	D BRANN	7/22/97	sheet		1 of 1		
sheet index	revision sheet	B	1							cage code	2526